



An Acuity Brands Company

IP68 4M   

4426 LED WET NICHE

LED SWIMMING POOL MONOCHROMATIC

DESCRIPTION

The 4426 is designed to be recessed into a stainless steel niche as a "wet niche" type fixture. These units offer cool white, warm white, amber, blue, green, and red monochromatic colors. The system shall be composed of two components: 1) LED array board and 2) Driver. The LED Driver powers via constant current. With a constant current driver, LED lumen output does not change with temperature variations. Hydrel's monochromatic system is a non-dimming, one color light output.

FEATURES & SPECIFICATIONS

FIXTURE HOUSING & DOOR: Heavy wall cast bronze construction. Natural cast bronze finish. Stainless steel bezel finish is also available.

NICHE: Stainless steel with cast bronze mounting ring which locks the fixture into position. Niche has four ears to tie to forms or steel structural rods. Pressure grounding lugs on interior and exterior surfaces. Niche conduit entrances are 3/4" NPT.

LED TYPE: 60 Watt or 96 Watt monochromatic LED. (LED Board included.)

VOLTAGE: 120VAC 60HZ only.

LENS: 8 5/8" (219mm) diameter convex linear spread tempered glass.

GASKET: Single piece molded U-shaped silicone gasket.

CORD: Minimum of 35' of #16/3ST submersible rated cord for standard 120VAC line. 14/3 submersible rated cord for CSA. Cord entrance is epoxy encapsulated. Cord length must be specified. NOTE: Sufficient cord should be coiled in the niche to allow for the fixture to be removed and brought above water level for maintenance.

FACTORY LEAK TESTED: Fixtures are tested at 10 PSI (0.70kg/cm2) internal pressure while totally submerged in water.

LOW WATER PROTECTION: Temperature sensing low water cut off standard.

FASTENERS: Stainless steel.

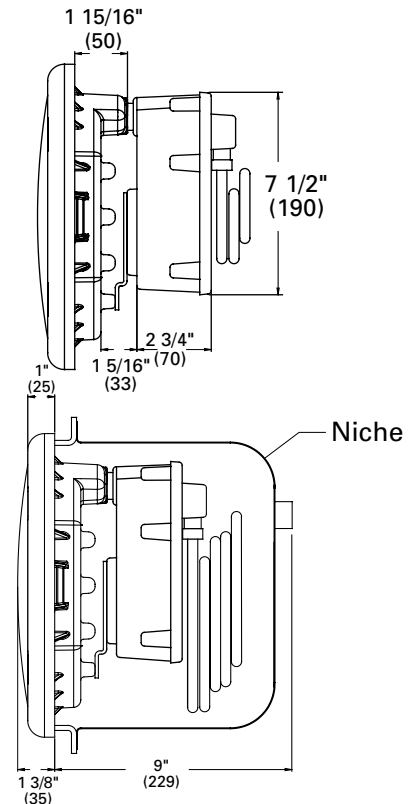
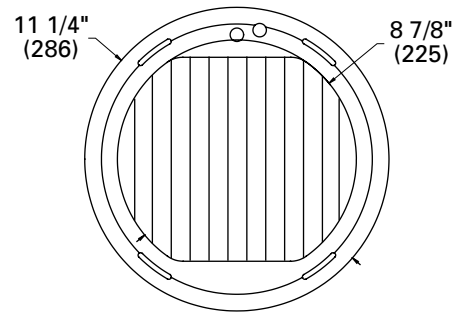
LISTING: U.L., CSA

US PATENT: 7,680,816

NOTE: HYDREL RESERVES THE RIGHT TO MODIFY SPECIFICATION WITHOUT NOTICE. Any dimension on this sheet is to be assumed as a reference dimension: "Used for information purposes only. It does not govern manufacturing or inspection requirements." (ANSI Y14.5-1973)

| | |
|------|----------|
| TYPE | JOB NAME |
|------|----------|

| PART NUMBER | | | | |
|--------------|----------|----------|-----------------|---------|
| Model | Material | LED Type | LED Color | Voltage |
| Distribution | Lens | Mounting | Cord Set Length | |



WARNING: The use of a Ozone generators, Chlorine generators, Copper/Silver Ion generators or certain chemicals for water purification may cause damage to the fixture if not properly used. When such water purification methods are used, be sure to monitor water conditions. Subjecting the fixtures to "extreme conditions"/"harsh environments" may cause corrosion and premature failure of components.

APPROVALS

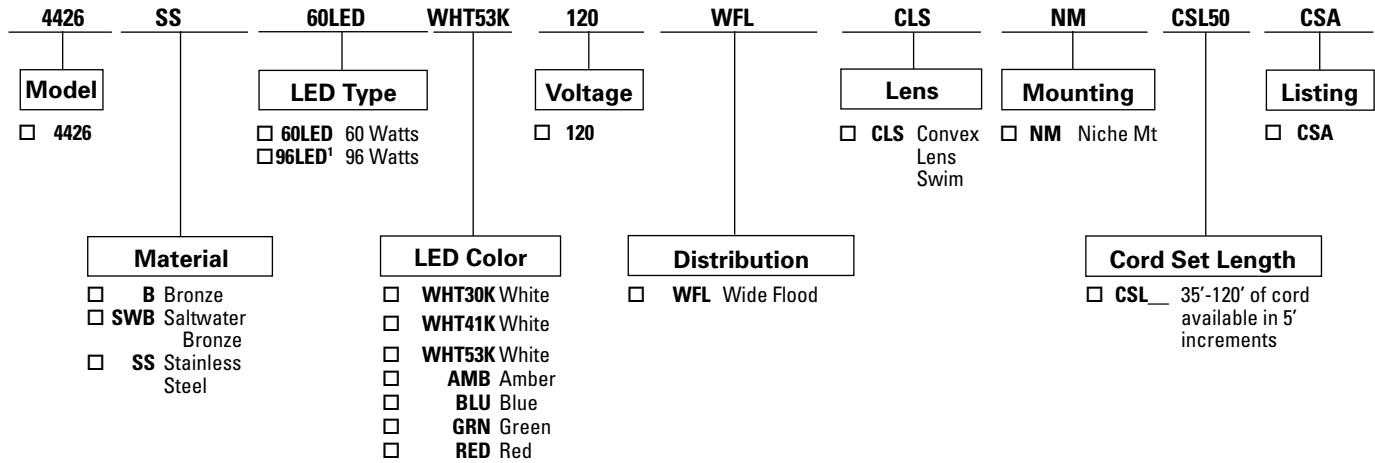
LED SWIMMING POOL ORDERING INFORMATION

60 Hz Application

Choose the boldface catalog nomenclature that best suits your needs.

PART NO.

EXAMPLE:



¹ Available with Cool White (WHT53K) LEDs only.