



An Acuity Brands Company

# TPS2 SERIES YOKE MOUNT 150 WATT MAX FLOOD LIGHT

## DESCRIPTION

The TPS2 Floodlight is the medium in a series of axial styled floodlights designed to utilize the latest in lamp technology. This functional floodlight series will provide a consistent style and performance for flood lighting applications over a wide range of lamp wattages. The TPS2 utilizes a unique matching of dedicated optical systems and internal electronic ballasts to deliver optimum light output from all metal halide T6 lamps up to 150 watts and Cosmopolis lamps to 140 watts. With its robust diecast housing, durable powder coat finish, and patent pending taper lock yoke design, this fixture was designed to meet the most demanding of lighting installations.

## FEATURES & SPECIFICATIONS

**MATERIAL:** Die Cast Aluminum (A360) housing, Galvanized Steel brackets, black silicone gaskets with stainless steel fasteners.

**LAMP:** HID: T6, G12 to 150 watts; T6, Cosmopolis to 140 watts.

**VOLTAGE:** MVOLT, 120, 208-277.

**DISTRIBUTION:** See order guide.

**REFLECTORS:** Precision formed single piece aluminum reflector with Alanod MIRO® finish to meet beam spread requirements.

**LENS:** Flat tempered glass for maximum resistance to impact.

**MOUNTING:** Yoke mounted with 10' of 18-3 STW flexible cord.

**GLARE CONTROL:** Internal glare control and external glare control available.

**BALLAST:** Integrally mounted electronic ballast rated for -18°C starting temperatures. Fixtures are 100% factory tested.

**FINISH:** See order guide.

**FASTENERS:** Stainless steel.

**LISTING:** CSA, CSA<sub>US</sub>

**WEIGHT:** 21 lbs.

**EPA:** 1.0 ft<sup>2</sup>

**NOTE:** Figure B used for controls.

TYPE		JOB NAME		
PART NUMBER				
MODEL		LAMP TYPE	VOLTAGE	DISTRIBUTION
MOUNTING	MOUNTING ACCESS.	ACCESSORIES	LAMP	FINISH

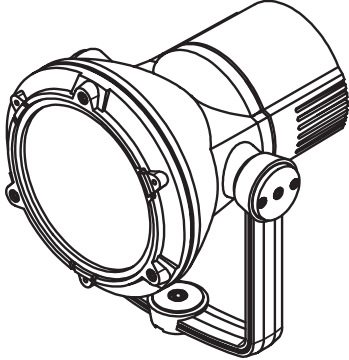
  

  

Figure A

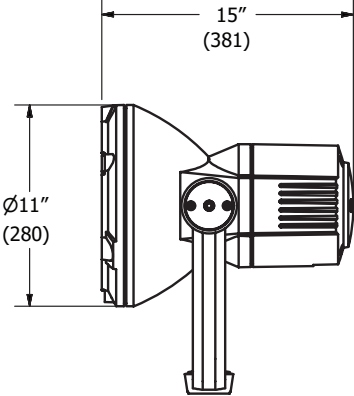
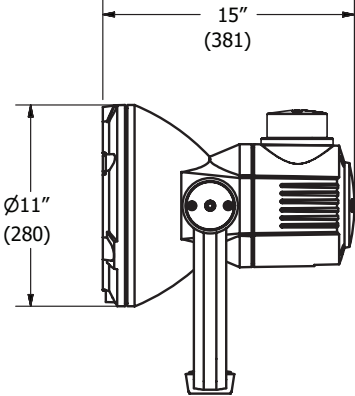
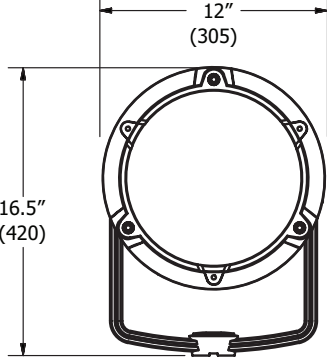
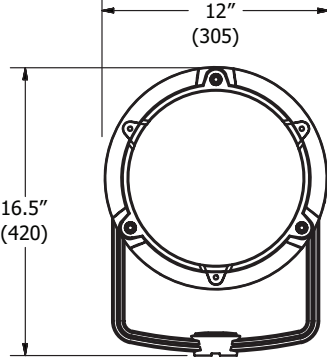


Figure B







APPROVALS

# TPS2 ORDERING INFORMATION

50/60 Hz Application

Choose the boldface catalog nomenclature that best suits your needs.

PART NO.

--	--	--	--	--	--	--	--	--	--

**EXAMPLE:**

**TPS2 150CMT6 208-277 NFL YM LPI BL**

<p><b>Model*</b></p> <input type="checkbox"/> <b>TPS2</b>	<p><b>Voltage*</b></p> <input type="checkbox"/> <b>MVOLT</b> <input type="checkbox"/> <b>120<sup>4</sup></b> <input type="checkbox"/> <b>208-277<sup>4</sup></b>	<p><b>Mounting*</b></p> <input type="checkbox"/> <b>YM</b> Yoke Mount	<p><b>Accessories</b></p> <p><u>Internal</u></p> <input type="checkbox"/> <b>ISS</b> Internal Source Shield <input type="checkbox"/> <b>IHL</b> Internal Honeycomb Louver <input type="checkbox"/> <b>CFAMB</b> Color Filter Amber <input type="checkbox"/> <b>CFRED</b> Color Filter Red <input type="checkbox"/> <b>CFBLU</b> Color Filter Blue <input type="checkbox"/> <b>CFGRN</b> Color Filter Green <input type="checkbox"/> <b>LSF</b> Linear Spread Filter <p><u>External</u></p> <input type="checkbox"/> <b>GS</b> Glare Shield <input type="checkbox"/> <b>FGS</b> Full Glare Shield <input type="checkbox"/> <b>WRG</b> Wire Rock Guard	<p><b>Lamp</b></p> <p><u>Lamp</u></p> <input type="checkbox"/> <b>LPI</b> Lamp Included
<p><b>Lamp Type*</b></p> <p><b>MH</b></p> <input type="checkbox"/> <b>70CMT6</b> T6 G12 <input type="checkbox"/> <b>150CMT6</b> T6 G12 <p><b>COSMOPOLIS</b></p> <input type="checkbox"/> <b>90CPO</b> T6 PGZ12 <input type="checkbox"/> <b>140CPO</b> T6 PGZ12	<p><b>Distribution*</b></p> <input type="checkbox"/> <b>NSP</b> Narrow Spot <input type="checkbox"/> <b>NFL</b> Narrow Flood <input type="checkbox"/> <b>MFL</b> Medium Flood <input type="checkbox"/> <b>FL</b> Flood <input type="checkbox"/> <b>HSP</b> Horizontal Spot	<p><b>Mounting Accessories</b></p> <input type="checkbox"/> <b>ARTL</b> Arch. Junction Box w/ Taper Lock <input type="checkbox"/> <b>SMSA<sup>2</sup></b> Stan. Mt. Splice Access <input type="checkbox"/> <b>WMTL</b> Wall Box w/ Taper Lock <input type="checkbox"/> <b>WPTL</b> Wall Plate w/ Taper Lock <input type="checkbox"/> <b>PMSA</b> Pole Mt Splice Access <input type="checkbox"/> <b>PMT<sup>1</sup></b> Pole Mt Tee <input type="checkbox"/> <b>SMT<sup>1</sup></b> Stan. Mt Tee <input type="checkbox"/> <b>EWM<sup>2</sup></b> Ext. Wall Mt <input type="checkbox"/> <b>PAR4/<sub>3</sub></b> Pole Arm Round, 4" diam. <input type="checkbox"/> <b>PAR5/<sub>3</sub></b> Pole Arm Round, 5" diam. <input type="checkbox"/> <b>PAR6/<sub>3</sub></b> Pole Arm Round, 6" diam. <input type="checkbox"/> <b>PAS4/<sub>3</sub></b> Pole Arm Square, 4" diam. <input type="checkbox"/> <b>PAS5/<sub>3</sub></b> Pole Arm Square, 5" diam. <input type="checkbox"/> <b>PAS6/<sub>3</sub></b> Pole Arm Square, 6" diam. <input type="checkbox"/> <b>PATR4/<sub>1,3</sub></b> Pole Arm Tee Round, 4" diam. <input type="checkbox"/> <b>PATR5/<sub>1,3</sub></b> Pole Arm Tee Round, 5" diam. <input type="checkbox"/> <b>PATR6/<sub>1,3</sub></b> Pole Arm Tee Round, 6" diam. <input type="checkbox"/> <b>PATS4/<sub>1,3</sub></b> Pole Arm Tee Square, 4" diam. <input type="checkbox"/> <b>PATS5/<sub>1,3</sub></b> Pole Arm Tee Square, 5" diam. <input type="checkbox"/> <b>PATS6/<sub>1,3</sub></b> Pole Arm Tee Square, 6" diam.	<p><b>Options</b></p> <input type="checkbox"/> <b>GEB</b> Electronic Ballast <p><b>Controls</b></p> <input type="checkbox"/> <b>PE</b> Photo Eye <input type="checkbox"/> <b>PEPN</b> Photo Eye Part Night <p><b>Protection</b></p> <input type="checkbox"/> <b>SPD6KV</b> Surge Protector	<p><b>Finish*</b></p> <input type="checkbox"/> <b>BL</b> Black <input type="checkbox"/> <b>BZ</b> Bronze <input type="checkbox"/> <b>DDB</b> Dark Bronze <input type="checkbox"/> <b>DNA</b> Natural Alum. <input type="checkbox"/> <b>GN</b> Green <input type="checkbox"/> <b>GR</b> Gray <input type="checkbox"/> <b>SND</b> Sand <input type="checkbox"/> <b>STG</b> Steel Gray <input type="checkbox"/> <b>TVG</b> Terra Verde Green <input type="checkbox"/> <b>WH</b> White <input type="checkbox"/> <b>CF</b> Custom Finish

**\*Required Categories**

**Notes:**

- <sup>1</sup> Requires two fixtures per mounting.
- <sup>2</sup> Available in 6" increments from 6" to 48".
- <sup>3</sup> Available in 6" increments from 12" to 24".
- <sup>4</sup> 150CMT6 and Cosmopolis lamps only available w/ 120 or 208-277.
- <sup>5</sup> HSP not available with Cosmopolis lamps.