

SOCKET ADJUSTMENT FOR DROP LENS (Fig. 1)

Loosen the two (do not remove) screws on either side of the socket bracket. Move the socket up about 1/4" and slide it back or forth to the desired position. Then slide it back down and tighten the screws. Refer to type and distribution chart for settings. You should not have to do any vertical adjustment, but if you do it will require the removal of the socket from the socket bracket. Start by removing the two socket wires and then the socket screws holding the socket. Next spread the socket bracket slightly and slide the socket out of the gasket. Remove the two screws holding the socket to the adjustable bracket and move the socket to its new location and re-assemble.

SOCKET ADJUSTMENT FOR DROP LENS (Fig. 2)

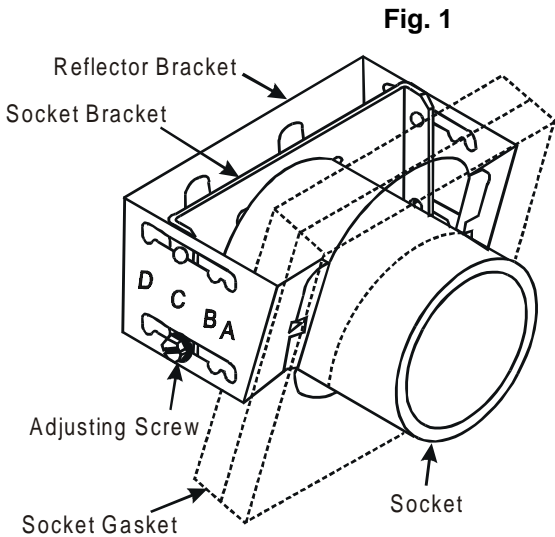
Loosen the two (do not remove) slide to new position and tighten screw.

MAINTENANCE AND CLEANING

The reflector and lens should be cleaned periodically with a mild detergent and rinsed with clean water to maintain efficiency.

REFRACTOR/LENS REPLACEMENT

Open the lower door as previously outlined. Being careful to support the refractor/lens at all times, rotate the retaining clip. This will free the refractor/lens for replacement or cleaning. Reverse procedure for re-installation.



Lens	Lamp	Type	Vert	Horz
Polycarb	175/250w MV/MH	IIMSC	2	C
Polycarb	400w MV/MH	IIIMSC	3	D
Drop lens	250w MV/MH	IIIMC	2	C
Drop lens	400w MV/MH	IIIMNC	3	D
Drop lens	400w MV/MH	IIMSC	2	C
Drop lens	400w MV/MH	IMSC	2	A
Drop lens	50-150w HPS	IIIMSC	3	A
Drop lens	50-150w HPS	IIMSC	2**	A
Drop lens	200-400w HPS	IIMC	1	A
Drop lens	200-400w HPS	IIIMSC	2	A
Polycarb	200-400w HPS	IIMC	1	A
Polycarb	200-400w HPS	IIIMS	3	C
Drop lens	200-400w HPS	IVMSC	3	D

*Available with coated lamp only.

**Requires socket spacer.

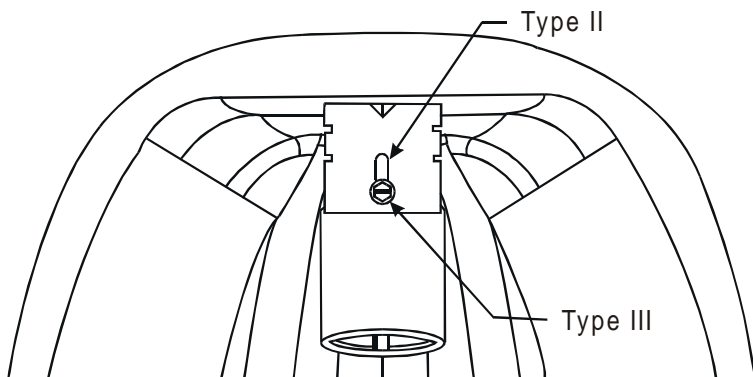


Fig. 2

INSTALLATION INSTRUCTIONS

HORIZONTAL LUMINAIRE

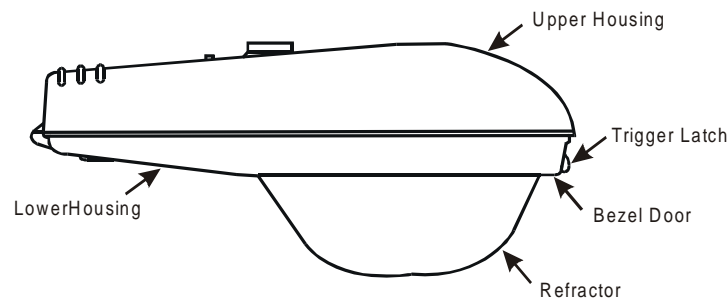
125/126 & CHM SERIES

WARNING: Disconnect power before relamping or wiring fixture. Housing must be grounded to reduce potential of electrical shock. Read all instructions completely before starting installation.

CAUTION: To prevent the risk of fire or shock, fixture must be installed in compliance with all applicable national and local electrical building codes. For code interpretation, consult local code authority.

WARNING: Risk of Fire. Product for outdoor installation and use only.

WARNING: Ensure that all power is disconnected prior to wiring.



REMOVE BALLAST DOOR

Open lower housing by pulling on front trigger latch. Rotate lower housing about 140° and lift off upper housing.

MOUNTING /LEVELING

Loosen fitter flamp bolts about 1/2" for 1-1/4" mast arm and 1-1/4" for 2" mast arm. Remove center of bird shield if you are mounting luminaire on a 2" mast arm. Slide luminaire onto mast arm to stop and tighten bolts finger tight.

LEVELING

Place a level on the area provided on top of the luminaire. If the luminaire is not level from side to side, twist the luminaire on the mast arm until it is level. If the front end is low, loosen the two front fitter bolts and tighten the two rear ones. Repeat this process until the luminaire is level. If the front end is high,

loosen the two rear fitter bolts and tighten the front ones. When luminaire is level, torque bolts to 10 ft. lbs.

WARNING: Over-torquing of fitter (lamp bolts) can create cracks in the housing causing the fixture to fall to the ground.

WIRING

Route supply wire through the mast arm and dress them so they do not interfere with any components. Refer to the luminaire data label and the ballast for connection and ratings information. Verify that the supply voltage is correct. Refer to the wiring diagram for connections information and make the necessary electrical connections to the terminal block and the green grounding screw.