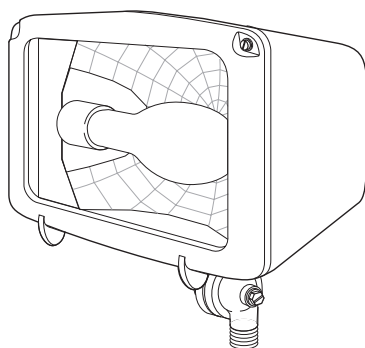


INSTALLATION INSTRUCTIONS

Upon receipt of fixture and accessories (packed separately) thoroughly inspect for any freight damage which should be brought to the attention of the delivery carrier. Compare the catalog description listed on the packing slip with the fixture label on the inside of the housing to be sure you have received the correct merchandise.

TFM Mini-Flood

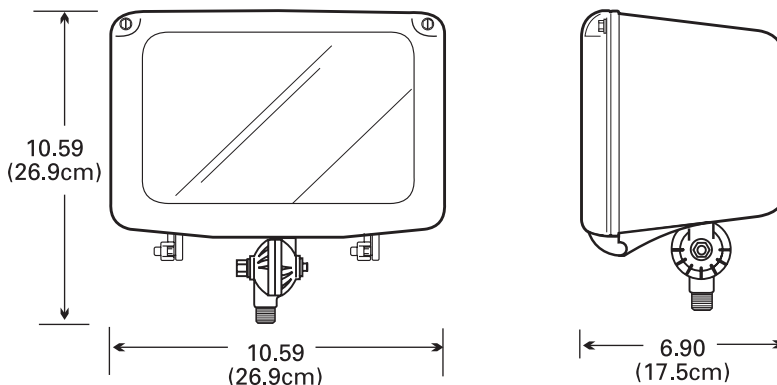


Prior to Installation

Read carefully before installing light fixtures. If you do not understand these instructions, please contact your local Lithonia distributor before installing.

INSTALLATION

The adjustable 1/2" NPSM straight pipe thread knuckle can be easily mounted to a variety of mounting configurations.



BOX WIRING – Insert knuckle through 1/2" clearance hole in coverplate and install locknut (not provided) on opposite side of coverplate. Make supply connections. Tighten both locknuts and install coverplate securely to box.

CONDUIT – Secure appropriate conduit fitting (not provided) to floodlight knuckle. Make supply connections and tighten fitting to conduit. **DO NOT** tighten fitting by rotating entire housing by hand. This may damage knuckle threads.

NOTE: Adjust vertical aiming angle by repositioning the knuckle assembly.

LAMPING FIXTURE – Loosen the 2 closing screws, hinge door assembly forward to access lamp compartment. After lamping, close door using the standard closing screws.

IMPORTANT SAFETY INSTRUCTIONS

(For Your Protection, Read Carefully)

- This fixture must be wired in accordance with the National Electrical Code and applicable local codes and ordinances.
- Proper grounding is required to ensure personal safety.
- Use approved connectors for all electrical connections.
- ALL work should be done by a qualified electrician.
- **WARNING:** NEVER disconnect any component while power supply is engaged.

OPTIONS

SF/DF - Single or Double Fusing

Fuseholders are mounted within the electrical compartment and are supplied complete with fuse(s). No installation required.

TFM YK - Yoke Mounting

Factory-installed, adjusts by loosening both bolt assemblies; set fixture to desired aiming position and retighten securely.

PE - Photo Electric Cell

Comes pre-wired from factory.

C62 - 2' 16-3 Pre-wired SEO Cord

Comes pre-wired from factory.

LAMP INSTALLATION: Prior to installing the lamp in the fixture, check to be sure the lamp is of proper type and wattage. Screw the lamp securely into the socket, back the lamp out one to two turns, then screw the lamp back in, making sure it is secure. This properly seats the lamp in the socket.

WARNING: NEVER perform maintenance or cleaning while fixture is energized.

CAUTION: Observe lamp manufacturer's recommendations and restrictions on lamp operation, particularly ballast type, burning position, etc.

MAINTENANCE: Your Lithonia fixture is designed for years of trouble-free operation. For optimum performance, periodically clean reflector and lens with a nonabrasive cleaner.

TROUBLESHOOTING:

If this fixture fails to operate properly, check to make sure:

- The correct lamp is properly installed.
- The fixture is wired correctly.
- The lamp is not faulty.
- The fixture is grounded correctly.
- The line voltage at the fixture is correct.
- The fusing (optional) is correct and functional.

If all these variables have been checked and the fixture still does not operate properly, contact your local Lithonia Lighting distributor.