

FEATURES & SPECIFICATIONS

INTENDED USE — For landscape and facade lighting.

CONSTRUCTION — Rugged, die-cast, single piece low copper alloy aluminum housing. Die-cast door frame has impact-resistant, tempered glass lens. Door frame is fully sealed with a closed-cell silicone gasket. Finish: Standard finish is textured dark bronze (DBBT) polyester powder. Other architectural colors available. Patent No. D552,778.

OPTICS — Anodized aluminum reflectors; segmented, specular or hammertone finish for superior uniformity and control. Reflectors are interchangeable and allow for tool-less access to electrical components.

ELECTRICAL — Ballast: Constant wattage autotransformer. Metal Halide: Super CWA (pulse start ballast), 88% efficient and EISA legislation compliant, is required for 175-400W (SCWA option) for US shipments only. CSA, NOM or INTL required for probe start shipments outside of the US. Pulse-start ballast (SCWA) required for 200W, 320W, or 350W. Ballast is 100% factory-tested. Quick disconnect plugs easily disconnect reflector from ballast and fixture from supply wire.

Socket: Porcelain, mogul-base socket with copper alloy, nickel-plated screw shell and center contact (UL Listed 660W, 600V, 4KV pulse rated).

MOUNTING — Standard mounting is heavy-duty, cast-aluminum swivel which fits over standard 1 1/2" (1-7/8" O.D.) to 2" (2-3/8" O.D.). Optional yoke mounting available, heavy-duty compact cast aluminum yoke adaptor to maintain fixture aesthetics. Provided with painted steel yoke and three feet of 16/3 SE00W cable.

LISTINGS — UL listed suitable for wet locations in all orientations. UL Listed to U.S. and Canadian safety standards (see options). NOM Certified (see Options). IP66 rated. Canadian patent pending.

Note: Specifications subject to change without notice.

Catalog Number
Notes
Type



AERIS™

Architectural Floodlighting

ASF2

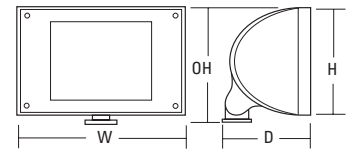
METAL HALIDE: 175W-400W
HIGH PRESSURE SODIUM: 200W-400W

Specifications

EPA: 2.0 ft²
Width: 21-1/2 (54.6)
Depth: 11 (27.9)
Height: 13-7/8 (35.2)
Overall Height: 18-1/2 (47.0)
*Max. Weight: 35 lbs (15.9kg)

All dimensions are inches (centimeters) unless otherwise indicated.

*Weight as configured in example below.



ORDERING INFORMATION

For shortest lead times, configure products using **standard options (shown in bold)**.

Example: ASF2 400M HSP TB SCWA LPI

Series	Wattage	Distribution	Voltage	Ballast	Mounting	Options	Finish ¹⁴	Lamp ¹⁵
ASF2	Metal halide	SP Spot	120	(blank) Magnetic ballast	Shipped installed	Shipped installed in fixture	(blank) Dark bronze, textured	LPI Lamp included
	175M ¹	HSP Horizontal spot	208 ⁷	CWI Constant wattage isolated	(blank) Swivel	SF Single fuse (120, 277, 347V n/a TB)	DSST Sandstone, textured	L/LP Less lamp
	200M ²	NSP Narrow spot	240 ⁷	Pulse Start E	YK Yoke mount	DF Double fuse (208, 240, 480V n/a TB)	DNAT Natural aluminum, textured	
	250M³	MDF Medium flood	277	SCWA Super CWA pulse start ballast	Shipped separately^{10,11}	EC Emergency circuit ¹²	DWHG White, textured	
	320M ²	WDF Wide flood	347	Note: For shipments to U.S. territories, SCWA must be specified to comply with EISA.	AFSTM Stanchion mount	QRS Quartz restrike system ¹²	DBLB Black, textured	
	350M ^{1,2}	VFN Vertical narrow	480 ⁷		AFTM Tenon base mount	QRSTD Quartz restrike time delay ¹²	CR Corrosion resistance	
	400M^{3,4}	VFW Vertical wide	TB⁸		AFWMA Wall mount arm	PE Photoelectric cell-button type (n/a 480V or TB) ¹³	CRT Non-stick protective coating (black only)	
	High pressure sodium⁵		23050HZ ⁹		AFTMB Twin mounting bar	CSA Listed and labeled to comply with Canadian standards		
	200S					NOM NOM certified ⁹		
	250S					INTL Available for MH probe start shipping outside the U.S.		
	400S ⁶					REGC1 California Title20 effective)1/1/2010		
						Shipped separately¹⁰		
						ASF2GS Glare shield (upper or bottom visor) ¹¹		
						ASF2EV Eggcrate visor (black only)		
						ASF2FV Full visor ¹¹		
						ASF2BD Barn door ¹¹		
						ASF2BVG Vandal guard		
						ASF2FV/BVG Full visor/vandal guard ¹¹		

Notes

- These wattages do not comply with California Title 20 regulations.
- Must be ordered with SCWA.
- These wattages require the REGC1 option to be chosen for shipments into California for Title 20 compliance. 250M REGC1 in not available in 347 or 480V.
- ED-28 reduced jacket lamp required.
- Not available with SCWA.
- Not available with SP or NSP distributions.
- Must specify CWI in Canada.

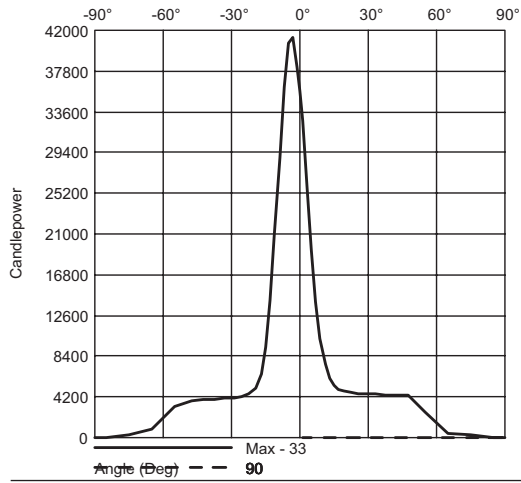
- Optional multi-tap ballast (120, 208, 240, 277); (120, 277, 347V in Canada ships as 120/347).
- Consult factory for available wattages.
- May be ordered as an accessory.
- Must specify finish when ordered as an accessory.
- Maximum allowable wattage lamp included. EC, QRS and QRSTD options can not be ordered together.
- Must be ordered with fixture. Cannot be field installed.
- See www.lithonia.com/archcolors for additional color options.
- Must be specified.

ASF2 Metal Halide, High Pressure Sodium Architectural Flood

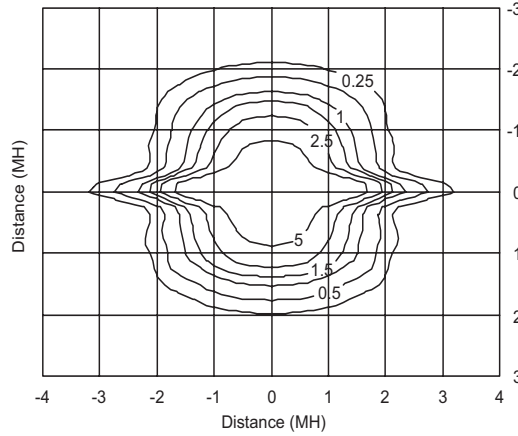
ASF2 400M HSP

TEST NO. LTL 13516P

Cartesian Plot



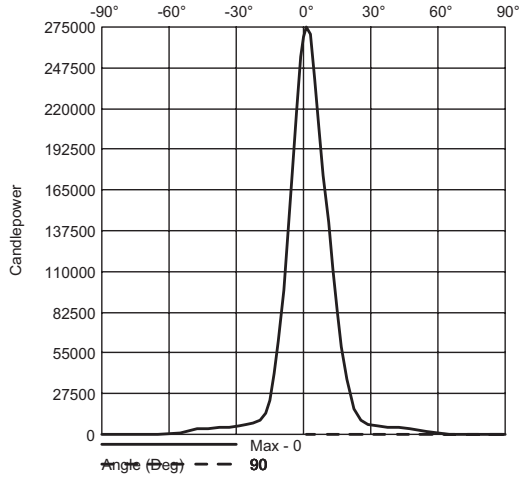
Isoillumination Plot (FC)
Mounting Height = 20
Classification: Unclassified (Type I, Very Short), Cutoff



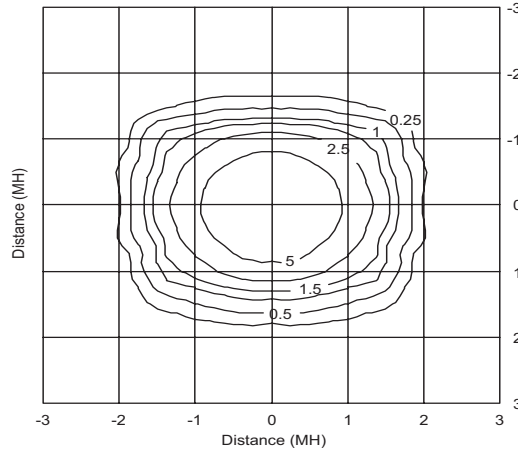
ASF2 400M NSP

TEST NO. LTL 14086P

Cartesian Plot



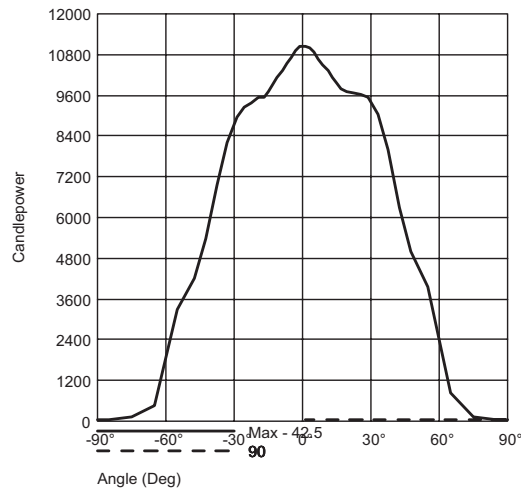
Isoillumination Plot (FC)
Mounting Height = 20
Classification: Unclassified (Type I, Very Short), Cutoff



ASF2 400M WDF

TEST NO. LTL 13512P

Cartesian Plot



Isoillumination Plot (FC)
Mounting Height = 20
Classification: Unclassified (Type II, Very Short), Cutoff

