

Catalog Number	
Notes	Type

## FEATURES & SPECIFICATIONS

### CONSTRUCTION

Die-formed from code-gauge, cold-rolled steel. Secured to channel by captive quarter-turn latches.

### FINISH

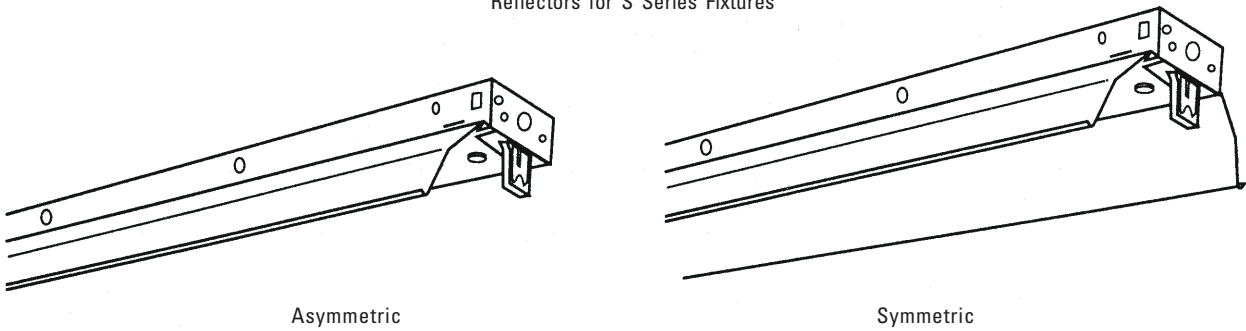
Five-stage, iron-phosphate pretreatment ensures superior paint adhesion and rust-resistance. High-gloss, baked white polyester finish. SSR specular finish aluminum reflectors available.

Standard Channel Reflectors

# SASR/SSMR

Asymmetric or Symmetric

Reflectors for S Series Fixtures



## ORDERING INFORMATION

For shortest lead times, configure product using **standard options (shown in bold)**.

Example: SASR 48 SSR

Series	Length	Finish
<b>SASR</b> Asymmetric reflector	18 Nominal 18" length	WH White
SSMR Symmetric reflector	24 Nominal 24" length	<b>SSR</b> Specular finish aluminum (95% reflectance)
	36 Nominal 36" length	
	<b>48</b> Nominal 48" length	
	72 Nominal 72" length	
	96 Nominal 96" length	

## ORDERING INFORMATION

Lead times will vary depending on options selected. Consult with your sales representative.

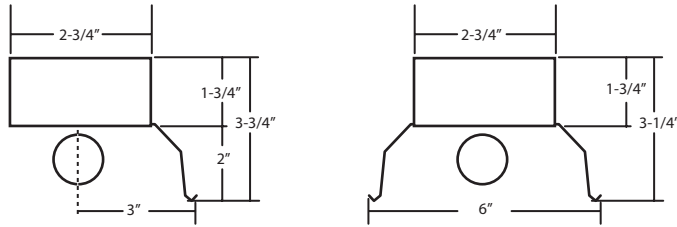
Example: SASR 48 SSR

Series	No. of lamps	Finish
SASRCF18 Asymmetric reflector for 18" C strip, CF lamp	1	WH White
SASRCF24 Asymmetric reflector for 24" C strip, CF lamp	2	SSR Specular finish aluminum (95% reflectance)
SSMRCF18 Symmetric reflector for 18" C strip, CF lamp		
SSMRCF24 Symmetric reflector for 24" C strip, CF lamp		

# SASR/SSMR Standard Channel Reflectors

## DIMENSIONS

Inches (millimeters). Subject to change without notice.



## APPLICATIONS

For cove lighting, cornice lighting, valance lighting and other uses.

