

FEATURES & SPECIFICATIONS

INTENDED USE

Ideal for signs, flags, building facades and landscaping.

CONSTRUCTION

Compact NEMA heavy-duty construction. Die-cast aluminum housing and front bezel. Bezel is removable via position-oriented hinge-cam design. Lens is thermal- and shock-resistant, 1/8" clear tempered glass.

FINISH

Standard finish is dark bronze (DDB) corrosion-resistant polyester powder finish with other architectural colors available.

OPTICAL SYSTEM

Anodized aluminum faceted parabolic construction provides high efficiencies.

ELECTRICAL SYSTEM

Ballast: Multi-volt (120-277) high power factor electronic ballast, <10% THD, with starting temperature of 0°F (-18°C). Electrical components are mounted to the cast aluminum housing, providing easy access during servicing.

Socket: Four-pin, positive-latch thermoplastic socket.

LAMP

35K 4-pin lamp provided when lamp is included with fixture (LPI).

INSTALLATION

Die-cast aluminum 1/2" NPSM mounting knuckle is standard. Steel painted mounting yoke and 3 ft. 16 SEO cord is optional.

LISTING

UL Listed. CSA or NOM Certified (see Options). UL Listed for wet locations. IP65 rated.

NOTE: Specifications subject to change without notice.

Catalog Number	
Notes	Type

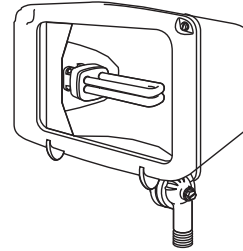
CONTOUR
SERIES

Floodlighting

TFM

COMPACT FLUORESCENT

13 – 42W



Specifications

Height: 10.6 (26.9)

Width: 10.6 (26.9)

Depth: 6.9 (17.5)

*Weight: 6.86lbs (3.1kg)

EPA: 0.5

*Weight as configured in example below.

All dimensions are inches (centimeters) unless otherwise specified.

ORDERING INFORMATION

Lead times will vary depending on options selected. Consult with your sales representative.

Example: TFM 32TRT RB MVOLT LPI

TFM									
Series	Wattage/lamp	Distribution	Voltage	Options		Finish ⁵	Lamp ⁷		
TFM	13DTT 18DTT 26DTT 26TRT 32TRT 42TRT	RB (6 x 6)	120 277 347 MVOLT ¹	<u>Shipped installed in fixture</u> BDP Ballast disconnect GMF Internal slow-blow fusing ² PE Photocell ³ YK Yoke mounting C62 2' 16-3 SEO cord pre-wired C42 2' 14-3 SEO cord pre-wired C22 2' 12-3 SEO cord pre-wired CSA CSA Certified NOM NOM Certified <u>Shipped separately⁴</u> WG Wire guard VG Vandal guard UV Upper visor FS Full visor TS Tennon slipfitter (2-3/8" OD tenon)		DNA Natural aluminum DBL Black DSB Steel blue DMB Medium bronze DGC Charcoal gray DTG Tennis green DBR Bright red DSS Sandstone DWH White CR Enhanced corrosion-resistant CRT Non-stick protective coating ⁶	LPI Lamp included L/LP Less lamp		

NOTES:

- Multi-volt electronic ballast capable of operating on any line voltage from 120-277V.
- Not available with MVOLT. Must specify voltage.
- Not available with 347V.
- May be ordered as an accessory.
- See www.lithonia.com/archcolors for additional color options.
- Black finish only.
- Must be specified.

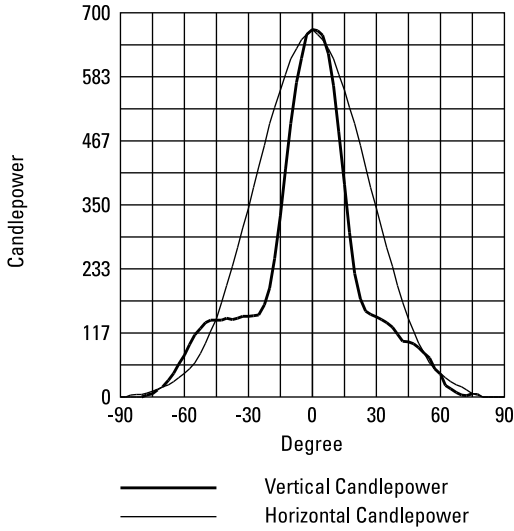
Accessories:

Order as separate catalog number.	
TFMWG	Wire guard
TFMVG	Vandal guard
TFMUV	Upper visor
TFMPV	Full visor
TFMTS	Tennon slipfitter (2-3/8" OD tenon)

TFM Floodlight

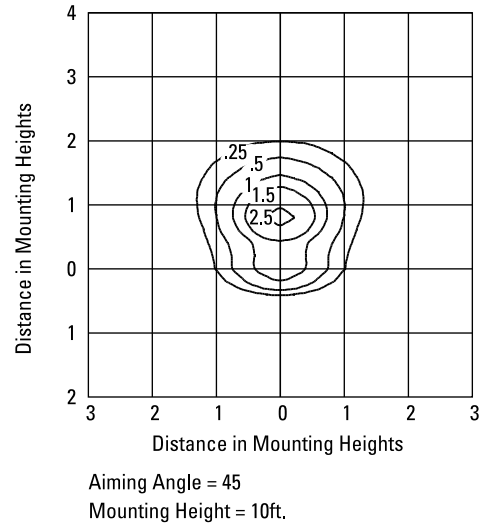
TFM 18DTT RB, (horizontal lamp), 18W double twin-tube fluorescent lamp, 1250 rated lumens, test no. 97061903.

Cartesian Plot



Nema Type : 6 H x 6 V
 Beam Spread: 108 H x 117 V
 Beam Efficiency 10% : 47.4%
 Beam Flux 10% (lumens) : 592
 Maximum Candela : 700

Iso-Illuminance Contour



Mounting Height Correction Factor
 (Multiply the fc level by the correction factor)
 8 ft. = 1.56
 12 ft. = .69
 15 ft. = .44