

Catalog Number	
Notes	Type

## FEATURES & SPECIFICATIONS

**INTENDED USE** — Use in high mounting heights that require higher efficiencies, general horizontal/high vertical illumination and premium contrast control. Ideal for light manufacturing areas, warehouse and retail aisles. **Certain airborne contaminants can diminish integrity of acrylic.** [Click here for Acrylic Environmental Compatibility table for suitable uses.](#)

**CONSTRUCTION** — Housing — Heavy-duty, die-cast aluminum halves. Ballast and electrical components are heat-sunked and horizontally opposed. Integral splice box mounting flange ensures structural integrity.

**FINISH** — Electrostatically-applied white polyester paint.

**OPTICAL SYSTEM** — UV-stabilized, high-efficiency, high performance acrylic refractor yields high vertical footcandles while maintaining low brightness. Upper collar is painted with white polyester powder paint. Optical assembly is fully adjustable and accommodates a range of light distributions, while providing approximately 20% uplight. Self-cleaning, ventilated design carries optical contaminants out through the top of refractor. Coated lamps provide optimum performance.

**ELECTRICAL SYSTEM** — Ballast — 100% factory tested. High power factor constant-wattage autotransformer. Encased and potted solid-state igniters. 180°C Class H insulation system. Meets UL standards for HID ballast systems.

Socket — Glazed porcelain, vertically oriented, mogul base socket with copper alloy, nickel-plated screws, shell and center contact. UL listed 1500W, 600V and 4KV pulse rated.

**INSTALLATION** — Ballast Housing - 16-gauge galvanized steel pendant splice box with white polyester powder finish. Removable box slides on integral die-cast aluminum housing mounting flange and mounts to 3/4" pendant conduit prior to ballast housing installation. Matching wire access cover accepts Reloc modular wiring. Complete assembly meets or exceeds UL 50-pound pull test.

Optic Mounting — Adjustable reflector mounting brackets are progressively die-formed of 18-gauge galvanized steel.

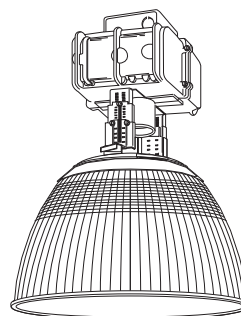
**LISTING** — UL listed -30°C to 40°C ambient operations & damp locations.

## High Bay Industrial Lighting

# TH-PA25

**Metal Halide  
1000W**

25' to 45' (7m to 14m) Mounting



### Specifications

Installed height: 23 to 25-3/4 (58.4 to 65.4)

Installed width: 25-1/2 (64.7)

Installed weight: 40 lbs (18.1 kg)

All dimensions are inches (centimeters) unless otherwise specified.

## ORDERING INFORMATION

Lead times will vary depending on options selected. Consult with your sales representative.

Example: TH 1000M PA25 23050HZ

<b>TH</b>		<b>PA25</b>		
Series	Wattage/lamp	Reflector	Voltage	Options
TH	1000M	PA25	12050HZ 23050HZ <sup>1</sup>	

### Shipped installed in fixture

- SF Single fuse<sup>2</sup>
- EC Emergency circuit<sup>2,3,4</sup>
- QRS Quartz restrike system<sup>2,3,4</sup>
- HA 65°C ambient operation
- CR Corrosion-resistant finish
- TOB Thru-wire outlet box
- PBP Pendant box plug-in
- LCPP Loop, cord, plug requires TPH, PPH
- LC3 Loop, 3' (1m) cord
- LOCS Loop, 3' cord, Reloc OCS<sup>1,5</sup>
- HOCS Hook, 3' cord, Reloc OCS<sup>1,5</sup>
- TR Remote ballast
- RC3NP TR with prewired cord<sup>6</sup>
- DDB Dark bronze housing finish

### Accessories

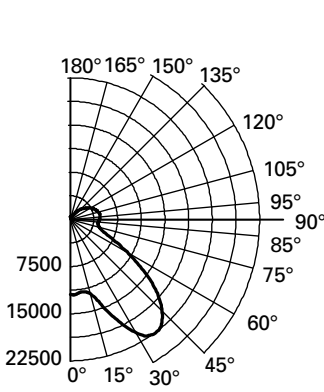
- Order as separate catalog number.
- SCK 60" safety chain kit
- HKM Fixture hook male
- HKMG Grommited fixture hook male
- LPM Fixture loop male
- LPMG Grommited fixture loop male
- TPH Thru-wire power hook
- PPH Pendant power hook
- FWG Full wireguard

### NOTES:

- 1 Operates 220, 230, and 240Volt 50HZ.
- 2 Option is not field-installable; must be factory-installed.
- 3 Lamp not included.
- 4 See Product Selection Guide (QRS Lamp Wattage Table) for maximum lamp wattage.
- 5 May be ordered with 5', 10', 15' cords.
- 6 3' cord to connect to optical.

# TH-PA25 High Bay

THR 1000M PA25 (LEG 0), MH1000/C/U lamp, 2.2 s/mh, 100,000 rated lumens, test no. 00040401



r f r c r w	Coefficient of utilization														
	80%				50%				30%				10%		0%
	70%	50%	30%	10%	50%	30%	10%	50%	30%	10%	50%	30%	10%	0%	
0	105	105	105	105	91	91	91	83	83	83	76	76	76	72	
1	94	89	85	81	78	75	72	71	68	66	64	63	61	57	
2	85	77	70	65	67	62	58	61	57	54	56	53	50	47	
3	77	67	59	53	59	53	48	53	49	45	49	45	42	39	
4	70	59	50	44	51	45	40	47	42	37	43	39	35	32	
5	64	52	43	37	46	39	34	42	36	32	38	33	30	27	
6	59	46	38	32	41	34	29	37	32	27	34	29	25	23	
7	54	41	33	27	36	30	25	33	28	24	31	26	22	20	
8	50	37	29	24	33	26	22	30	25	20	28	23	19	17	
9	46	34	26	21	30	24	19	27	22	18	25	20	17	15	
10	43	31	23	18	27	21	17	25	20	16	23	18	15	13	

Distribution data		
Angle	cp.	Lumens
0°	11911	0
5°	11934	1139
15°	12215	3463
25°	17636	8163
35°	22435	14094
45°	20600	15954
55°	14224	12761
65°	7440	7385
75°	4764	5040
85°	4511	4922
90°	4692	0
95°	4752	5185
105°	4569	4834
115°	4028	3998
125°	3149	2825
135°	2189	1695
145°	908	570
155°	319	148
165°	336	95
175°	406	39
180°	483	0

Output data		
Zone	Lumens	%lamp
0°- 30°	12765	12.8
0°- 40°	26858	26.9
0°- 60°	55573	55.6
0°- 90°	72920	72.9
90°- 180°	19389	19.4
0°- 180°	92309	*92.3

\* Fixture efficiency

Spacing criterion: 2.0  
Spacing to mounting height: 2.2