

Catalog Number	
Notes	Type

## FEATURES & SPECIFICATIONS

**INTENDED USE**—Use in high mounting heights that require higher efficiencies, general horizontal/high vertical illumination and premium contrast control. Ideal for light manufacturing areas, warehouse and retail aisles. **Certain airborne contaminants can diminish integrity of acrylic.** [Click here for Acrylic Environmental Compatibility table for suitable uses.](#)

**CONSTRUCTION** — Housing – Heavy-duty, die-cast aluminum halves. Ballast and electrical components are heat-sinked and horizontally opposed. Integral splice box mounting flange ensures structural integrity.

**FINISH** — Electrostatically-applied white polyester powder paint.

**OPTICAL SYSTEM** — UV-stabilized, high-efficiency, high performance acrylic refractor yields high vertical footcandles while maintaining low brightness. Upper collar is painted with white polyester powder paint. Optical assembly is fully adjustable and accommodates a range of light distributions, while providing approximately 20% uplight. Self-cleaning, ventilated design carries optical contaminants out through the top of refractor. Coated lamps provide optimum performance.

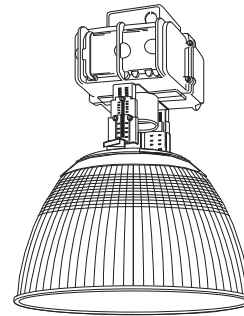
**ELECTRICAL SYSTEM** — Ballast – 100% factory tested. High power factor constant-wattage autotransformer. Encased and potted solid-state igniters. 180°C Class H insulation system. Meets ANSI C82 ballast standards. (For 50 Hz availability, consult factory.)

Socket – Glazed porcelain, vertically oriented, mogul base socket with copper alloy, nickel-plated screws, shell and center contact. Protected version with pink exclusionary socket. UL listed 1500W, 600V and 4KV pulse rated.

**INSTALLATION** — Pendant Splice Box – Removable cast-aluminum box slides on integral die-cast aluminum housing mounting flange and mounts to 3/4" pendant conduit prior to ballast housing installation. Matching wire access cover accepts RELOC® modular wiring. Complete assembly meets or exceeds UL 50-pound pull test.

Optic Mounting – Adjustable reflector mounting brackets are progressively die-formed of 18-gauge galvanized steel. For areas where reflectors are subject to impact (gymnasiums, etc.) add FWG (full wire guard) to catalog number.

**LISTINGS** — UL listed -30°C to 40°C ambient operations and damp locations. Listed and labeled to comply with Canadian Standards. NOM Certified (see Options).



Open High Bay Industrial Lighting

# TH PA25

ACRYLIC OPTICAL

Protected Metal Halide

1000W

High Pressure Sodium

1000W

25' to 45' mounting

### Specifications

Installed height: 23 to 25-3/4 (58.4 to 65.4)

Installed width: 25-1/2 (64.7)

Installed weight: 48 lbs (22 kg)

All dimensions are inches (centimeters) unless otherwise specified.

## ORDERING INFORMATION

For shortest lead times, configure product using **standard options (shown in bold)**.

Example: TH 1000MP PA25 TB

TH	PA25	Voltage	Ballast <sup>4</sup>	Options
Series	Reflector			
<b>TH</b>	<b>PA25</b>	120	(blank) <b>Standard magnetic ballast</b>	<b>Shipped installed in fixture</b>
		208 <sup>1</sup>		SF Single fuse (120, 277, 347V) <sup>3,5</sup>
		240 <sup>1</sup>		DF Double fuse (208, 240, 480V) <sup>3,5</sup>
		277		EC Emergency circuit <sup>5,6,7</sup>
		347		<b>QRS Quartz restrike system<sup>5,6,7</sup></b>
		480 <sup>1</sup>		QRSTD QRS time delay (consult factory) <sup>5,6,7</sup>
		480 <sup>1</sup>		TOB Through-wire outlet box
		<b>TB<sup>2</sup></b>		TOBP Through-wire outlet box plug-in <sup>3</sup>
		TBV <sup>1,3</sup>		PBP Pendant box plug-in <sup>3</sup>
				LCPP Loop, cord, plug requires TPH, PPH <sup>3</sup>
				LC3P Loop, 3' cord, 15A NEMA twistlock plug <sup>3,4,8</sup>
				HC3P Hook, 3' cord, 15A NEMA twistlock plug <sup>3,4,5</sup>
				LOCS Loop, 5' white cord, RELOC OCS <sup>3,4,9</sup>
				HOC5 Hook, 5' white cord, RELOC OCS <sup>3,4,9</sup>
				LOCU Loop, 5' white cord, RELOC OCS <sup>3,4,8,9,10</sup>
				HOCU Hook, 5' white cord, RELOC OCS <sup>3,4,8,9,10</sup>
				TR Remote ballast
				RC3NP TR with prewired 3' cord <sup>3,10</sup>
				KW1 KiloWatch 120V control relay <sup>5,11</sup>
				KW4 KiloWatch 277V control relay <sup>5,11</sup>
				KW150 KiloWatch 120V control relay-50% light output <sup>5,11</sup>
				KW450 KiloWatch 120V control relay-50% light output <sup>5,11</sup>
				KW1S KiloWatch II with integral sensor
				CSA Listed and labeled to comply with Canadian Standards
				NOM NOM Certified (Consult factory)

### Accessories

Order as separate catalog number.

HKF	Fixture hook female
LPF	Fixture loop female
SCK	60" safety chain kit
TMB	Twin-mounting bar (consult factory)
SMB	Single mounting bar (consult factory)
HKM	Fixture hook male
HKMG	Grommeted fixture hook male
LPM	Fixture loop male
LPMG	Grommeted fixture loop male
TPH	Through-wire power hook
PPH	Pendant power hook
FWG	Full wire guard

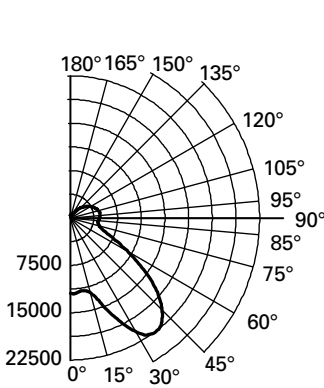
### NOTES:

- Not available in Canada.
- Optional multi-tap ballast (120, 208, 240, 277V; 120, 277, 347V for Canada).
- Must specify voltage or tap position.
- May be ordered with 10', 15' and 20' cords. For black cord, specify **BK** (i.e. **HOC5BK**).
- Option is not field-installable; must be factory-installed.
- Lamp not included.

- See Product Selection Guide (QRS Lamp Wattage Table) for maximum lamp wattage.
- 20A standard 480V.
- For specific ordering information, see Product Selection Guide.
- When using RELOC® with KiloWatch, LOCU or HOCU option must be used with TAP1KW, TAP3KW OR TAP13KW. Consult factory for 208, 240, 480V.
- Optional 5-tap ballast (120, 208, 240, 277 and 480V; 1000M and 1000S only).

# TH PA25 High Bay

TH 1000MP PA25 (Leg 0), ... MH1000/C/U lamp, 2.2 s/mh, 100,000 rated lumens, test no. 00040401



r f r c r w	Coefficient of utilization													
	80%				20%			30%			10%			0%
	70%	50%	30%	10%	50%	30%	10%	50%	30%	10%	50%	30%	10%	0%
0	105	105	105	105	91	91	91	83	83	83	76	76	76	72
1	94	89	85	81	78	75	72	71	68	66	64	63	61	57
2	85	77	70	65	67	62	58	61	57	54	56	53	50	47
3	77	67	59	53	59	53	48	53	49	45	49	45	42	39
4	70	59	50	44	51	45	40	47	42	37	43	39	35	32
5	64	52	43	37	46	39	34	42	36	32	38	33	30	27
6	59	46	38	32	41	34	29	37	32	27	34	29	25	23
7	54	41	33	27	36	30	25	33	28	24	31	26	22	20
8	50	37	29	24	33	26	22	30	25	20	28	23	19	17
9	46	34	26	21	30	24	19	27	22	18	25	20	17	15
10	43	31	23	18	27	21	17	25	20	16	23	18	15	13

Distribution data		
Angle	cp.	Lumens
0°	11911	0
5°	11934	1139
15°	12215	3463
25°	17636	8163
35°	22435	14094
45°	20600	15954
55°	14224	12761
65°	7440	7385
75°	4764	5040
85°	4511	4922
90°	4692	0
95°	4752	5185
105°	4569	4834
115°	4028	3998
125°	3149	2825
135°	2189	1695
145°	908	570
155°	319	148
165°	336	95
175°	406	39
180°	483	0

Output data		
Zone	Lumens	%lamp
0°- 30°	12765	12.8
0°- 40°	26858	26.9
0°- 60°	55573	55.6
0°- 90°	72920	72.9
90°- 180°	19389	19.4
0°- 180°	92309	*92.3

\* Fixture efficiency

Spacing criterion: 2.0  
Spacing to mounting height: 2.2

## Electrical Characteristics

Wattage/ballast	Primary voltage	Line current (Amps) Start/Operating	Primary dropout voltage	Input watts	Power factor (%)	Regulation Line V = Lamp lumens
1000 CWA	120	5.90/9.20	70			
Peak-lead	208	3.40/5.30	120			
	240	2.90/4.60	140	1070	90+	±10% = ±10%
	277	2.50/4.00	160			
	480	1.50/2.30	280			

Tested to current IES and NEMA standards under stabilized laboratory conditions. Various operating factors can cause differences between laboratory data and actual field measurements. Dimensions and specifications on this sheet are based on the most current available data and are subject to change without notice.

\*Since Article 210-22 of the NEC considers starting current as a non-continuous load, a 277 20 amp circuit can be loaded to 125% of the continuous load or 20 amps. 9 LLR luminaires with a 2.10 starting current results in a 18.9 non-continuous load.

## Energy (Calculated in accordance with NEMA Standard LE-5)

LER.HID	ANNUAL ENERGY COST	LAMP DESCRIPTION	LAMP LUMENS	BALLAST FACTOR	WATTS
89.1	\$2.69	MH1000C/U	100,000	1	1070



Lithonia Lighting

High Bay and Special Applications

One Lithonia Way, Conyers, GA 30012

Phone: 770-922-9000, 800-315-4963, Fax: 770-929-8789

www.lithonia.com