

# FEATURES

## OPTICAL SYSTEM

- Self-flanged, semi-specular or matte-diffuse compound contour finishing trim in combination with keyed, proprietary Gotham spread lens delivers a uniform distribution of light to the wall.
- Retained by self-aligning support spring.
- Optical assembly rotates +/- 90°.

## MECHANICAL SYSTEM

- Formed housing with matte black finish.
- 16-gauge galvanized steel mounting/plaster frame will accommodate up to 1-1/2" thick ceiling.
- 16-gauge galvanized steel mounting bars with continuous 4" vertical adjustment are shipped pre-installed. Post installation adjustment possible without the use of tools from above or below ceiling.
- Secondary housing adjustment system for precise, final ceiling to flange alignment.
- Galvanized steel junction box with hinged access covers and spring latch. Two combination 1/2"-3/4" knockouts and three 1/2" knockouts for straight-through conduit runs. Capacity: 8 (4 in, 4 out) No. 12 AWG conductors rated for 90°C.

## ELECTRICAL SYSTEM

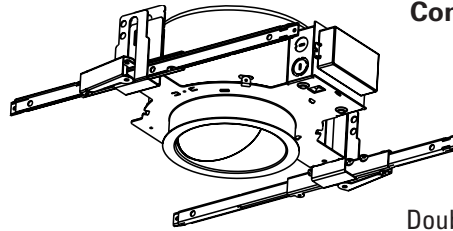
- Horizontally-mounted, four-pin, positive-latch, thermoplastic socket.
- Class P, thermally-protected, high power factor electronic ballast mounted to the junction box.

## LISTING

- Fixtures are UL Listed for thru-branch wiring, Non-IC recessed mounting and damp locations. Listed and labeled to comply with Canadian Standards.

Type

Catalog number

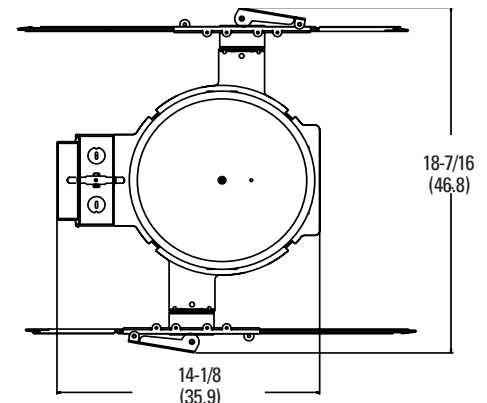


## Compact Fluorescent Downlights

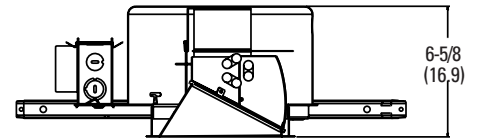
# 6" DLWF

## Lensed Wallwash

Double Twin-Tube or Triple-Tube Lamp



Aperture: 6-1/4 (15.9)  
Ceiling opening: 7-1/8 (18.1)  
Overlap trim: 7-5/8 (19.4)



All dimensions are inches (centimeters)

# ORDERING INFORMATION

Choose the boldface catalog nomenclature that best suits your needs and write it on the appropriate line.

Example: **DLWF 1/32TRT 6AR MVOLT**

## DLWF

Series	Wattage/Lamp	Aperture/Trim color	Finish	Voltage	Ballast	Options
DLWF	<b>1/26DTT</b> <sup>1</sup>	<b>6AR</b> Clear	(blank)	<b>MVOLT</b> <sup>3</sup>	(blank) Electronic ballast (standard)	<b>QDS</b> <sup>8</sup> Quick disconnect system for easy fluorescent ballast replacement
	<b>1/18TRT</b>	<b>6BR</b> <sup>2</sup> Black	LD Matte-diffuse	<b>120</b>	<b>ADAL</b> <sup>4</sup> Advance ROVR™ utilizing DALI protocol	<b>ELR</b> <sup>9</sup> Emergency battery pack with remote test switch
	<b>1/26TRT</b>	<b>6PR</b> Pewter		<b>277</b>	<b>ADEZ</b> <sup>5</sup> Advance Mark 10 <sup>®</sup> electronic dimming ballast	<b>ELRSD</b> <sup>9</sup> Emergency battery pack with remote test switch and self-diagnostics module
	<b>1/32TRT</b>	<b>6UBR</b> Umber		<b>347</b>	<b>ADZT</b> <sup>4</sup> Advance Mark 7 <sup>®</sup> electronic dimming ballast	<b>GMF</b> <sup>10</sup> Single slow-blow fuse
	<b>1/42TRT</b>	<b>6WTR</b> Wheat			<b>DMHL</b> <sup>5</sup> Lutron Compact SE™ electronic dimming ballast	<b>GLR</b> <sup>10</sup> Single, fast-blow fuse
				<b>DMHL3</b> <sup>5,6</sup> Lutron Hi-Lume <sup>®</sup> 1% electronic dimming ballast	<b>TRW</b> White painted flange	
				<b>2W5</b> <sup>6,7</sup> Lutron Tu-Wire <sup>®</sup> electronic dimming ballast	<b>TRBL</b> Black painted flange	
				<b>TUBDD</b> <sup>4</sup> Universal Lighting Technologies electronic AddressPRO <sup>®</sup> digital dimming ballast	<b>GSKT</b> Foam gasketing	
					<b>WLP</b> Lamp (shipped separately)	
					<b>LRC</b> <sup>11</sup> Provides compatibility with Lithonia Reloc <sup>®</sup> System. Lithonia Reloc System can be installed less this option with connectors provided by others. Access above ceiling required	
					<b>RIF</b> Radio interference filter	
					<b>CP</b> Chicago Plenum	

### Notes:

- 1 Requires 4-pin lamp. Ships as TRT fixture.
- 2 Not available with finishes.
- 3 Multi-volt electronic ballast capable of operating on any line voltage from 120V through 277V, 50 or 60 HZ.
- 4 Not available with 347V.
- 5 120V or 277V only.
- 6 Available in 26W and 32W only.
- 7 120V only.
- 8 Not available with ELR or ELRSD option.
- 9 For dimensional changes, refer to Technical Bulletins tab.
- 10 Not available with MVOLT. Must specify voltage.
- 11 For compatible Reloc systems, refer to Technical Bulletins tab.



GOTHAM ARCHITECTURAL DOWNLIGHTING  
1400 Lester Road Conyers Georgia 30012  
P 800 315 4982 F 770 860 3129  
www.gothamlighting.com

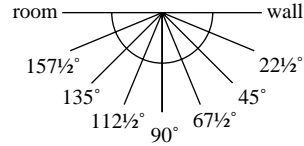
DLWF6

ACF-110

# 6" DLWF Lensed Wallwash

## TECHNICAL INFORMATION

Footcandle values are initial and tables are based on minimum of six units. For fixture-to-wall distance other than those shown, use maximum of one-to-one spacing (distance between fixtures not more than distance to wall) for best results.



Fixture/lamp	Candlepower data					Footcandle values							
	Vertical Angle	Plane Angle				Wall	3 ft. from wall on 3 ft. centers			3 ft. from wall on 4 ft. centers			
90°		67.5°	45°	22.5°	1		2	3	4	5	6	7	
<b>DLWF 1/26TRT 6AR</b>													
(1) 26TRT Lamp													
1800 rated lumens	0°	786	786	786	786	786	1	21	16	21	19	10	19
Test No. LTL14912	5°	776	792	804	808	804	2	40	36	40	34	24	34
	15°	702	743	780	798	801	3	41	40	41	32	29	32
	25°	576	656	729	772	778	4	34	34	34	26	26	26
	35°	423	534	663	734	752	5	27	27	27	20	20	20
	45°	255	363	513	616	656	6	21	21	21	16	16	16
	55°	117	185	323	436	495	7	16	16	16	12	12	12
	65°	32	67	158	247	300	8	12	13	12	10	10	10
	75°	6	17	52	102	139	9	10	10	10	8	8	8
	85°	2	2	6	13	25	10	8	8	8	6	6	6
	90°	0	0	0	0	0							
<b>DLWF 1/32TRT 6AR</b>													
(1) 32TRT Lamp													
2400 rated lumens	0°	696	696	696	696	696	1	18	14	18	17	8	17
Test No. LTL14913	5°	692	704	713	718	712	2	37	33	37	31	22	31
	15°	641	684	712	726	724	3	38	38	38	30	27	30
	25°	534	612	684	723	730	4	32	32	32	24	24	24
	35°	395	499	618	687	702	5	25	25	25	19	19	19
	45°	243	346	481	573	607	6	19	19	19	15	15	15
	55°	113	181	307	401	451	7	15	15	15	11	12	11
	65°	32	64	149	222	266	8	12	12	12	9	9	9
	75°	6	16	46	87	118	9	9	9	9	7	7	7
	85°	1	2	4	9	18	10	7	7	7	6	6	6
	90°	0	0	0	0	0							
<b>DLWF 1/42TRT 6AR</b>													
(1) 42TRT Lamp													
3200 rated lumens	0°	880	880	880	880	880	1	20	16	20	18	10	18
Test No. LTL14914	5°	877	890	899	901	893	2	41	37	41	34	25	34
	15°	818	862	888	901	895	3	45	44	45	35	32	35
	25°	692	778	850	888	889	4	39	39	39	30	29	30
	35°	532	649	763	826	839	5	31	31	31	23	24	23
	45°	346	463	589	665	698	6	24	24	24	18	19	18
	55°	165	254	374	448	493	7	19	19	19	14	15	14
	65°	42	95	180	244	284	8	15	15	15	11	12	11
	75°	7	22	57	96	127	9	12	12	12	9	9	9
	85°	1	1	3	7	17	10	9	9	9	7	8	7
	90°	0	0	0	0	0							

**NOTES:**

- For electrical characteristics consult Technical Bulletins tab.
- Tested to current IES and NEMA standards under stabilized laboratory conditions. Various operating factors can cause differences between laboratory data and actual field measurements. Dimensions and specifications are based on the most current available data and are subject to change without notice.