

FEATURES

OPTICAL SYSTEM

- Self-flanged, semi-specular or matte-diffuse compound contour finishing trim in combination with keyed, proprietary Gotham spread lens delivers a uniform distribution of light to the wall.
- Retained by self-aligning support spring.
- Optical assembly rotates +/- 90°.

MECHANICAL SYSTEM

- Formed housing with matte black finish.
- 16-gauge galvanized steel mounting/plaster frame will accommodate up to 1-1/2" thick ceiling.
- 16-gauge galvanized steel mounting bars with continuous 4" vertical adjustment are shipped pre-installed. Post installation adjustment possible without the use of tools from above or below ceiling.
- Secondary housing adjustment system for precise, final ceiling to flange alignment.
- Galvanized steel junction box with hinged access covers and spring latch. Two combination 1/2"-3/4" knockouts and three 1/2" knockouts for straight-through conduit runs. Capacity: 8 (4 in, 4 out) No. 12 AWG conductors rated for 90°C.

ELECTRICAL SYSTEM

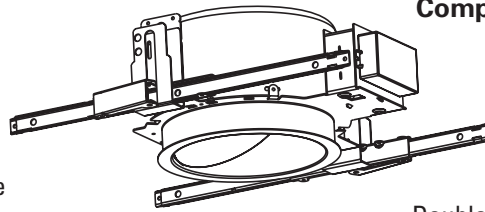
- Horizontally-mounted, four-pin, positive-latch, thermoplastic socket(s).
- Class P, thermally-protected, high power factor electronic ballast(s) mounted to the junction box.

LISTING

- Fixtures are UL Listed for thru-branch wiring, Non-IC recessed mounting and damp locations. Listed and labeled to comply with Canadian Standards.

Type

Catalog number

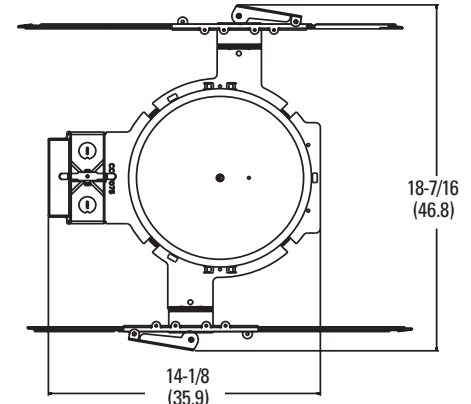


Compact Fluorescent Downlights

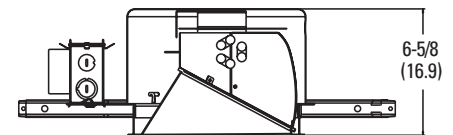
8" DLWF

Lensed Wallwash

Double Twin-Tube or Triple-Tube Lamp



Aperture: 8 (20.3)
 Ceiling opening: 8-7/8 (22.5)
 Overlap trim: 9-3/8 (23.8)



All dimensions are inches (centimeters)

ORDERING INFORMATION

Choose the boldface catalog nomenclature that best suits your needs and write it on the appropriate line.

Example: **DLWF 1/32TRT 8AR MVOLT**

DLWF

Series	Wattage/Lamp	Aperture/Trim color	Finish	Voltage	Ballast	Options
DLWF	2/26DTT ¹	8AR Clear	(blank) Semi-specular	MVOLT ³ 120	(blank) Electronic ballast (standard)	QDS ⁸ Quick disconnect system for easy fluorescent ballast replacement
	1/18TRT	8BR ² Black	LD Matte-diffuse	277	ADALI ⁴ Advance ROVR™ utilizing DALI protocol	ELR ⁹ Emergency battery pack with remote test switch
	1/26TRT	8PR Pewter		347	ADEZ ⁵ Advance Mark 10 [®] electronic dimming ballast	ELRSD ⁹ Emergency battery pack with remote test switch and self-diagnostics module
	1/32TRT	8UBR Umber		DMHL ⁵ Lutron Compact SE™ electronic dimming ballast	DMHL ^{5,6} Lutron Hi-Lume [®] 1% electronic dimming ballast	GMF ¹⁰ Single, slow-blow fuse
	1/42TRT	8WTR Wheat		DMHL ^{5,6} Lutron Tu-Wire [®] electronic dimming ballast	TUBDD ⁴ Universal Lighting Technologies electronic AddressPRO [®] digital dimming ballast	GLR ¹⁰ Single, fast-blow fuse
						TRW White painted flange
						TRBL Black painted flange
						GSKT Foam gasketing
						WLP Lamp (shipped separately)
						LRC ¹¹ Provides compatibility with Lithonia Reloc [®] System. Lithonia Reloc System can be installed less this option with connectors provided by others. Access above ceiling required
						RIF Radio interference filter
						CP Chicago Plenum

Notes:

- 1 Requires 4-pin lamp.
- 2 Not available with finishes.
- 3 Multi-volt electronic ballast capable of operating on any line voltage from 120V through 277V, 50 or 60 HZ.
- 4 Not available with 347V.
- 5 120V or 277V only.
- 6 Available in 26W and 32W only.
- 7 120V only.
- 8 Not available with ELR or ELRSD option.
- 9 For dimensional changes, refer to Technical Bulletins tab.
- 10 Not available with MVOLT. Must specify voltage.
- 11 For compatible Reloc systems, refer to Technical Bulletins tab.



GOTHAM ARCHITECTURAL DOWNLIGHTING
 1400 Lester Road Conyers Georgia 30012
 P 800 315 4982 F 770 860 3129
 www.gothamlighting.com

DLWF 8

ACF-120

