

FEATURES

OPTICAL SYSTEM

- Self-flanged, semi-specular or matte-diffuse compound contour finishing trim in combination with keyed, proprietary Gotham spread lens delivers a uniform distribution of light to the wall.
- Retained by two self-aligning torsion springs. Relamping capability from above or below ceiling.
- Internal housing components painted black.
- Optical assembly rotates 360°.

MECHANICAL SYSTEM

- Rolled steel housing wrap with junction box and ballast access door allows for easy maintenance through the aperture.
- Black painted steel mounting frame features tool-less top access and accommodates a maximum 1-1/2" ceiling thickness.
- 16-gauge galvanized steel mounting bars with continuous 4" vertical adjustment are shipped pre-installed. Post installation adjustment possible without the use of tools from above or below ceiling.
- Secondary housing adjustment system for precise, final ceiling to flange alignment.
- Galvanized steel junction box with bottom hinged access covers and spring latch. Three combination 1/2" -3/4" and two 1/2" knockouts for straight-through conduit runs. Capacity: 8 (4 in, 4 out) No. 12 AWG conductors rated for 90°C.

ELECTRICAL SYSTEM

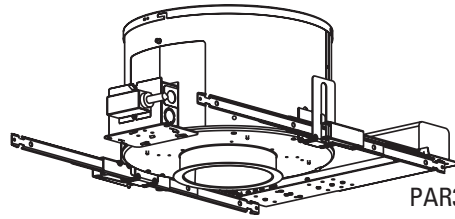
- Medium-base porcelain socket with nickel-plated screw shell.
- Thermally-activated insulation detector.
- Pre-wired, encased and potted, electromagnetic, 120/277V or 120/347V ballast tray module is standard.

LISTING

- Fixtures are UL Listed for thru-branch wiring, Non-IC recessed mounting and damp locations. Listed and labeled to comply with Canadian Standards.

Type

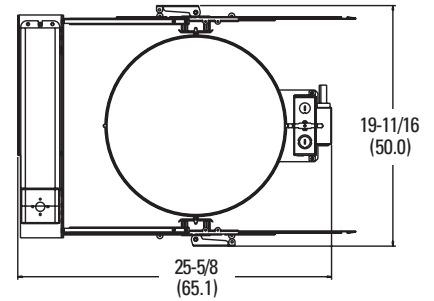
Catalog number



HID Downlights 6" DLWH

Lensed Wallwash

PAR30 or PAR38 Metal Halide Lamp



Aperture: 6-1/4 (15.9)
Ceiling opening: 6-7/8 (17.5)
Overlap trim: 7-5/8 (19.4)



All dimensions are inches (centimeters)

ORDERING INFORMATION

Example: **DLWH P3039MHC 6AR 120**

Choose the boldface catalog nomenclature that best suits your needs and write it on the appropriate line.

DLWH

Series	Wattage/Lamp	Aperture/Trim color	Finish	Voltage	Ballast	Options
DLWH	Metal Halide (PAR Lamp)	6AR Clear	(blank) Semi-specular	120	(blank) Electro-magnetic ballast	SF Single fuse
	P3870M 70W PAR38	6BR² Black	LD Matte-diffuse	277	HEB³ Electronic ballast	TRW White painted flange
	P38100M 100W PAR38	6PR Pewter		347		TRBL Black painted flange
	P38150M 150W PAR38	6UBR Umber				GSKT Foam gasketing
	Color-corrected Metal Halide (PAR Lamp)¹	6WTR Wheat				LPFL Flood lamp (shipped separately)
	P3039MHC 39W PAR30					LRC⁴ Provides compatibility with Lithonia Reloc [®] System. Lithonia Reloc System can be installed less this option with connectors provided by others. Access above ceiling required
	P3070MHC 70W PAR30					CP Chicago Plenum
	P3870MHC 70W PAR38					
	P38100MHC 100W PAR38					
	P38150MHC 150W PAR38					

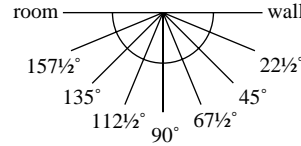
Notes:

- 1 Ceramic Arc tube consistent-color lamp. Philips MasterColor, Osram Sylvania Powerball or GE ConstantColor.
- 2 Not available with finishes.
- 3 120V or 277V only.
- 4 For compatible Reloc systems, refer to Technical Bulletins tab.

6" DLWH Lensed Wallwash

TECHNICAL INFORMATION

Footcandle values are initial and tables are based on minimum of six units. For fixture-to-wall distance other than those shown, use maximum of one-to-one spacing (distance between fixtures not more than distance to wall) for best results.



Fixture/lamp	Candlepower data										Footcandle values													
	Vertical Angle	Room Side					Wall Side					3 ft. from wall on 3 ft. centers			3 ft. from wall on 4 ft. centers									
		Room	157.5°	135°	112.5°	90°	67.5°	45°	22.5°	Wall	1	2	3	4	5	6	7	8	9	10				
DLWH P38150M 6AR																								
150W PAR38 FL Lamp																								
9100 rated lumens	0°	5876	5876	5876	5876	5876	5876	5876	5876	5876	5876	5876	5876	5876	5876	5876	5876	5876	5876	5876				
Test No. LTL15302	5°	4292	4434	4810	5284	5838	6352	6857	7056	7225														
	15°	1794	1988	2657	3812	5158	6402	7137	7145	7145	1	33	28	33	28	18	28	2	64	59	64	52	40	52
	25°	740	841	1323	2231	3471	4449	4971	4939	4726	3	90	88	90	72	61	72	4	106	107	107	81	78	81
	35°	314	362	591	1122	2046	2599	2948	2942	2786	5	106	104	106	80	77	80	6	96	95	96	73	71	73
	45°	97	122	223	580	1105	1307	1558	1579	1471	7	84	84	84	64	64	64	8	73	73	73	56	56	56
	55°	18	22	53	168	346	505	647	709	735	9	63	62	63	48	48	48	10	54	53	54	42	42	42
	65°	0	0	6	28	78	171	291	380	439														
	75°	4	0	4	4	13	49	102	159	190														
	85°	0	4	0	0	4	9	9	18	27														
	90°	0	0	0	0	0	0	0	0	0														

Fixture/lamp	Candlepower data										Footcandle values													
	Vertical Angle	Room Side					Wall Side					3 ft. from wall on 3 ft. centers			3 ft. from wall on 4 ft. centers									
		Room	157.5°	135°	112.5°	90°	67.5°	45°	22.5°	Wall	1	2	3	4	5	6	7	8	9	10				
DLWH P38100M 6AR																								
100W PAR38 FL Lamp																								
5800 rated lumens	0°	3267	3267	3267	3267	3267	3267	3267	3267	3267	1	15	14	15	13	9	13	2	37	35	37	30	24	30
Test No. LTL15305	5°	2367	2547	2711	2953	3321	3545	3789	3940	3996	3	63	61	63	50	43	50	4	83	82	83	65	59	65
	15°	1002	1178	1534	2159	2941	3555	4110	4497	4528	5	84	83	84	65	61	65	6	84	83	84	65	61	65
	25°	427	510	758	1285	2103	2832	3391	3737	3733	7	75	75	75	57	56	57	8	64	64	65	49	48	49
	35°	184	220	343	695	1411	1955	2326	2490	2326	9	64	64	65	49	48	49	10	54	54	54	41	41	41
	45°	56	71	124	319	755	1102	1249	1196	1050														
	55°	8	13	27	79	222	352	459	454	447														
	65°	1	4	6	18	37	83	145	200	229														
	75°	0	3	5	5	12	26	50	74	89														
	85°	0	3	4	4	4	5	5	9	10														
	90°	0	0	0	0	0	0	0	0	0														

Fixture/lamp	Candlepower data										Footcandle values													
	Vertical Angle	Room Side					Wall Side					3 ft. from wall on 3 ft. centers			3 ft. from wall on 4 ft. centers									
		Room	157.5°	135°	112.5°	90°	67.5°	45°	22.5°	Wall	1	2	3	4	5	6	7	8	9	10				
DLWH P3070MHC 6AR																								
70W PAR30 FL Lamp																								
4400 rated lumens	0°	2692	2692	2692	2692	2692	2692	2692	2692	2692	1	12	11	12	10	7	10	2	24	23	24	19	15	19
Test No. LTL15307	5°	1780	1904	2046	2306	2692	3053	3345	3598	3662	3	35	37	35	28	26	28	4	49	52	49	36	40	36
	15°	764	858	1086	1620	2621	3731	4384	4451	4256	5	59	60	59	42	46	42	6	60	60	60	44	46	44
	25°	371	425	588	1035	2106	3448	3900	3371	2777	7	56	56	56	42	43	42	8	50	50	50	37	38	37
	35°	161	187	283	562	1338	2425	2353	1786	1306	9	44	43	44	32	34	32	10	38	37	37	28	29	28
	45°	40	47	87	213	509	858	945	717	569														
	55°	7	12	19	46	113	204	270	277	277														
	65°	0	3	3	13	26	58	103	146	168														
	75°	2	5	7	4	9	23	35	60	69														
	85°	0	0	2	2	5	0	5	7	10														
	90°	0	0	0	0	0	0	0	0	0														

NOTES:

- For electrical characteristics consult Technical Bulletins tab.
- Tested to current IES and NEMA standards under stabilized laboratory conditions. Various operating factors can cause differences between laboratory data and actual field measurements. Dimensions and specifications are based on the most current available data and are subject to change without notice.

AHID-160

©2008 Gotham, Rev. 8/06
AHID-160.p65



GOTHAM ARCHITECTURAL DOWNLIGHTING
A DIVISION OF ACUITY LIGHTING GROUP, INC.
1400 Lester Road Conyers Georgia 30012
P 800 315 4982 F 770 860 3129
www.gothamlighting.com