

# FEATURES

## OPTICAL SYSTEM

- Self-flanged, semi-specular or matte-diffuse compound contour finishing trim in combination with keyed, proprietary Gotham spread lens delivers a uniform distribution of light to the wall.
- Retained by self-aligning support spring.
- Optical assembly rotates +/- 90°.

## MECHANICAL SYSTEM

- Formed housing with matte black finish.
- 16-gauge galvanized steel mounting/plaster frame will accommodate up to 1-1/2" thick ceiling.
- 16-gauge galvanized steel mounting bars with continuous 4" vertical adjustment are shipped pre-installed. Post installation adjustment possible without the use of tools from above or below ceiling.
- Secondary housing adjustment system for precise, final ceiling to flange alignment.
- Galvanized steel junction box with hinged access covers and spring latch. Two combination 1/2"-3/4" knockouts and three 1/2" knockouts for straight-through conduit runs. Capacity: 8 (4 in, 4 out) No. 12 AWG conductors rated for 90°C.

## ELECTRICAL SYSTEM

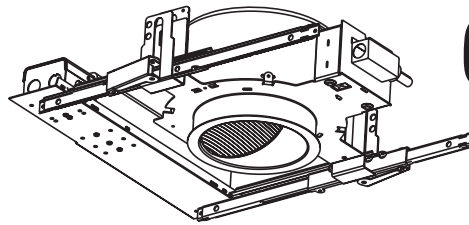
- Medium-base porcelain socket with nickel-plated screw shell.
- Thermally-activated insulation detector.
- Pre-wired, encased and potted, electromagnetic, 120/277V or 120/347V ballast tray module is standard.

## LISTING

- Fixtures are UL Listed for thru-branch wiring, Non-IC recessed mounting and damp locations. Listed and labeled to comply with Canadian Standards.

Type

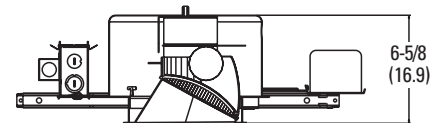
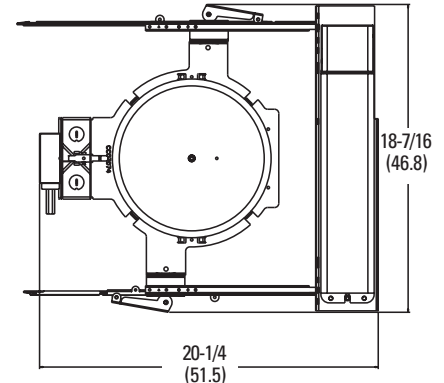
Catalog number



# HID Downlights 6" DLWH

## Lensed Wallwash

ED17 Metal Halide Lamp



Aperture: 6-1/4 (15.9)  
Ceiling opening: 7-1/8 (18.1)  
Overlap trim: 7-5/8 (19.4)

All dimensions are inches (centimeters)

# ORDERING INFORMATION

Example: **DLWH 70M 6AR 120**

Choose the boldface catalog nomenclature that best suits your needs and write it on the appropriate line.

## DLWH

Series	Wattage/Lamp	Aperture/Trim color	Finish	Voltage	Ballast	Options
<b>DLWH</b>	<b>Metal Halide (ED17)</b>	<b>6AR</b> Clear	<b>(blank)</b> Semi-specular	<b>120</b>	<b>(blank)</b> Electro-magnetic ballast	<b>SF</b> Single fuse
	50M	<b>6BR<sup>2</sup></b> Black	<b>LD</b> Matte-diffuse	<b>277</b>	<b>HEB<sup>3</sup></b> Electronic ballast	<b>TRW</b> White painted flange
	70M	<b>6PR</b> Pewter		<b>347</b>		<b>TRBL</b> Black painted flange
	100M	<b>6UBR</b> Umber				<b>WLP</b> Lamp (shipped separately)
	<b>Color-corrected Metal Halide (ED17)<sup>1</sup></b>	<b>6WTR</b> Wheat				<b>GSKT</b> Foam gasketing
	50MHC					<b>LRC<sup>4</sup></b> Provides compatibility with Lithonia Reloc <sup>®</sup> System. Lithonia Reloc System can be installed less this option with connectors provided by others. Access above ceiling required
	70MHC					<b>CP</b> Chicago Plenum
	100MHC					

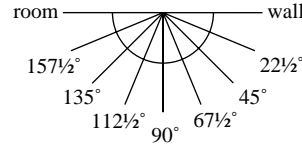
### Notes:

- 1 Ceramic Arc tube consistent-color lamp. Philips MasterColor, Osram Sylvania Powerball or GE ConstantColor.
- 2 Not available with finishes.
- 3 120V or 277V only.
- 4 For compatible Reloc systems, refer to Technical Bulletins tab.

# 6" DLWH Lensed Wallwash, ED17 Lamp

## TECHNICAL INFORMATION

Footcandle values are initial and tables are based on minimum of six units. For fixture-to-wall distance other than those shown, use maximum of one-to-one spacing (distance between fixtures not more than distance to wall) for best results.



Fixture/lamp	Candlepower data									Footcandle values						
	Vertical Angle	Plane Angle								3 ft. from wall on 3 ft. centers			3 ft. from wall on 4 ft. centers			
		Room	Room Side				Wall Side									
		157.5°	135°	112.5°	90°	67.5°	45°	22.5°	Wall							
<b>DLWH 100M 6AR</b>																
MP100/C/U/MED	0°	1730	1730	1730	1730	1730	1730	1730	1730	1	31	26	31	27	16	27
7900 rated lumens	5°	1463	1511	1548	1593	1647	1720	1772	1866	2	69	62	69	57	41	57
Test No. LTL15349	15°	1010	1057	1118	1212	1343	1490	1594	1719	3	77	75	77	62	53	62
	25°	661	714	793	895	1056	1257	1426	1510	4	66	67	67	50	50	51
	35°	359	400	485	619	806	1037	1254	1413	5	52	53	52	39	40	39
	45°	164	187	228	336	484	711	951	1156	6	40	41	40	31	31	31
	55°	35	52	74	119	188	331	538	735	7	31	32	32	24	24	24
	65°	4	4	5	29	66	144	268	393	8	25	25	25	19	19	19
	75°	4	5	5	4	14	46	97	156	9	20	20	20	16	16	16
	85°	3	4	4	5	4	4	10	19	10	16	16	16	13	13	13
	90°	0	0	0	0	0	0	0	0							

Fixture/lamp	Candlepower data									Footcandle values						
	Vertical Angle	Plane Angle								3 ft. from wall on 3 ft. centers			3 ft. from wall on 4 ft. centers			
		Room	Room Side				Wall Side									
		157.5°	135°	112.5°	90°	67.5°	45°	22.5°	Wall							
<b>DLWH 70MHC 6AR</b>																
MHC70/C/U/M/4K	0°	1311	1311	1311	1311	1311	1311	1311	1311	1	24	21	24	21	13	21
6000 rated lumens	5°	1143	1175	1182	1217	1260	1308	1351	1395	2	55	49	55	46	32	46
Test No. LTL15350	15°	810	844	877	955	1056	1160	1229	1284	3	60	58	60	48	41	48
	25°	537	579	632	721	845	987	1103	1142	4	51	51	51	39	38	39
	35°	292	321	385	497	642	796	957	1058	5	40	40	40	30	30	30
	45°	125	141	177	264	379	542	714	867	6	31	31	31	24	24	24
	55°	25	37	58	96	149	256	419	566	7	24	24	24	19	19	19
	65°	3	3	4	25	54	116	213	302	8	19	19	19	15	15	15
	75°	3	3	3	3	12	38	78	119	9	15	15	15	12	12	12
	85°	3	3	3	3	3	3	8	14	10	12	12	12	10	10	10
	90°	0	0	0	0	0	0	0	0							

Fixture/lamp	Candlepower data									Footcandle values						
	Vertical Angle	Plane Angle								3 ft. from wall on 3 ft. centers			3 ft. from wall on 4 ft. centers			
		Room	Room Side				Wall Side									
		157.5°	135°	112.5°	90°	67.5°	45°	22.5°	Wall							
<b>DLWH 50M 6AR</b>																
MP50/C/U/MED	0°	689	689	689	689	689	689	689	689	1	13	11	13	12	7	12
3200 rated lumens	5°	590	605	617	636	658	689	714	745	2	31	27	31	26	18	26
Test No. LTL15348	15°	409	425	450	496	554	620	662	698	3	34	33	34	27	23	27
	25°	268	287	322	372	445	540	615	635	4	29	29	29	22	21	22
	35°	144	158	196	258	342	449	545	600	5	22	22	22	17	17	17
	45°	63	70	90	138	209	315	417	507	6	17	17	17	13	13	13
	55°	13	19	29	50	81	143	236	325	7	13	13	13	10	10	10
	65°	2	2	2	13	29	62	116	166	8	11	11	11	8	8	8
	75°	2	2	2	2	6	20	42	65	9	8	8	8	7	7	7
	85°	1	2	2	2	2	2	5	9	10	7	7	7	5	5	5
	90°	0	0	0	0	0	0	0	0							

**NOTES:**

- For electrical characteristics consult Technical Bulletins tab.
- Tested to current IES and NEMA standards under stabilized laboratory conditions. Various operating factors can cause differences between laboratory data and actual field measurements. Dimensions and specifications are based on the most current available data and are subject to change without notice.

**AHID-170**

©2008 Gotham, Rev. 8/06  
AHID-170.p65



GOTHAM ARCHITECTURAL DOWNLIGHTING  
A DIVISION OF ACUITY LIGHTING GROUP, INC.  
1400 Lester Road Conyers Georgia 30012  
P 800 315 4982 F 770 860 3129  
www.gothamlighting.com