

FEATURES

OPTICAL SYSTEM

- Self-flanged, semi-specular or matte-diffuse compound contour finishing trim in combination with keyed, proprietary Gotham spread lens delivers a uniform distribution of light to the wall.
- Retained by two self-aligning torsion springs. Relamping capability from above or below ceiling.
- Internal housing components painted black.
- Optical assembly rotates 360°.

MECHANICAL SYSTEM

- Rolled steel housing wrap with junction box and ballast access door allows for easy maintenance through the aperture.
- Black painted steel mounting frame features tool-less top access and accommodates a maximum 1-1/2" ceiling thickness.
- 16-gauge galvanized steel mounting bars with continuous 4" vertical adjustment are shipped pre-installed. Post installation adjustment possible without the use of tools from above or below ceiling.
- Secondary housing adjustment system for precise, final ceiling to flange alignment.
- Galvanized steel junction box with bottom hinged access covers and spring latch. Three combination 1/2"-3/4" and two 1/2" knockouts for straight-through conduit runs. Capacity: 8 (4 in, 4 out) No. 12 AWG conductors rated for 90°C.

ELECTRICAL SYSTEM

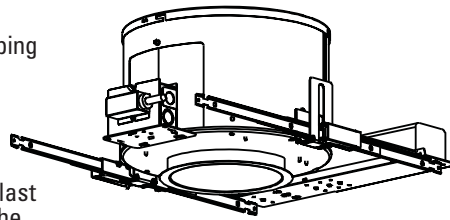
- Medium-base porcelain socket with nickel-plated screw shell.
- Thermally-activated insulation detector.
- Pre-wired, encased and potted, electromagnetic, 120/277V or 120/347V ballast tray module is standard.

LISTING

- Fixtures are UL Listed for thru-branch wiring, Non-IC recessed mounting and damp locations. Listed and labeled to comply with Canadian Standards.

Type

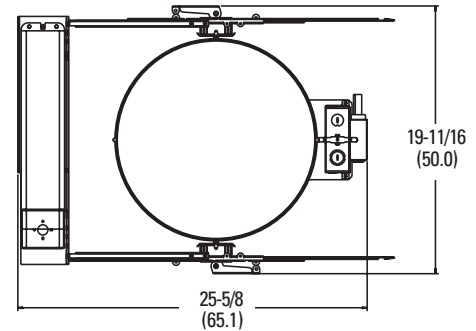
Catalog number



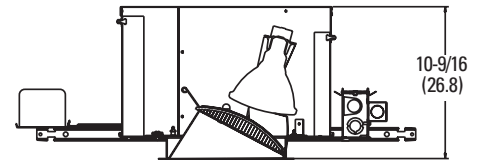
HID Downlights 8" DLWH

Lensed Wallwash

PAR30 or PAR38 Metal Halide Lamp



Aperture: 8 (20.3)
Ceiling opening: 8-7/8 (22.5)
Overlap trim: 9-3/8 (23.8)



All dimensions are inches (centimeters)

ORDERING INFORMATION

Example: **DLWH P3870M 8AR 120**

Choose the boldface catalog nomenclature that best suits your needs and write it on the appropriate line.

DLWH

Series	Wattage/Lamp	Aperture/Trim color	Finish	Voltage	Ballast	Options
DLWH	Metal Halide (PAR Lamp)	8AR Clear	(blank) Semi-specular	120	(blank) Electro-magnetic ballast	SF Single fuse
	P3870M 70W PAR38	8BR² Black	LD Matte-diffuse	277	HEB³ Electronic ballast	TRW White painted flange
	P38100M 100W PAR38	8PR Pewter		347		TRBL Black painted flange
	P38150M 150W PAR38	8UBR Umber				GSKT Foam gasketing
	Color-corrected Metal Halide (PAR Lamp)¹	8WTR Wheat				LPFL Flood lamp (shipped separately)
	P3039MHC 39W PAR30					LRC⁴ Provides compatibility with Lithonia Reloc [®] System. Lithonia Reloc System can be installed less this option with connectors provided by others. Access above ceiling required
	P3070MHC 70W PAR30					CP Chicago Plenum
	P3870MHC 70W PAR38					
	P38100MHC 100W PAR38					
	P38150MHC 150W PAR38					

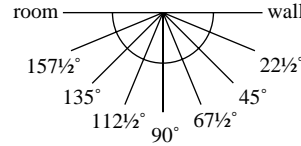
Notes:

- 1 Ceramic Arc tube consistent-color lamp. Philips MasterColor, Osram Sylvania Powerball or GE ConstantColor.
- 2 Not available with finishes.
- 3 120V or 277V only.
- 4 For compatible Reloc systems, refer to Technical Bulletins tab.

8" DLWH Lensed Wallwash

TECHNICAL INFORMATION

Footcandle values are initial and tables are based on minimum of six units. For fixture-to-wall distance other than those shown, use maximum of one-to-one spacing (distance between fixtures not more than distance to wall) for best results.



Fixture/lamp	Candlepower data										Footcandle values						
	Vertical Angle	Room Side					Wall Side					3 ft. from wall on 3 ft. centers			3 ft. from wall on 4 ft. centers		
		Room	157.5°	135°	112.5°	90°	67.5°	45°	22.5°	Wall							
DLWH P38150M 8AR																	
150W PAR38 FL Lamp	0°	4589	4589	4589	4589	4589	4589	4589	4589	4589	1	38	32	38	33	20	33
9100 rated lumens	5°	3118	3133	3391	3821	4450	5116	5852	6419	6646	2	83	78	83	69	51	69
Test No. LTL15273	15°	1413	1463	1742	2346	3409	4925	6891	8547	9399	3	126	128	126	104	85	104
	25°	686	726	917	1386	2374	3775	5436	6526	6815	4	142	141	142	108	103	108
	35°	282	310	440	780	1484	2559	3406	3895	3878	5	137	131	137	105	96	105
	45°	72	78	140	335	693	1237	1897	2326	2229	6	123	119	123	96	86	96
	55°	19	23	38	99	252	503	782	998	1026	7	105	104	105	82	76	82
	65°	12	14	18	41	75	170	331	476	544	8	90	88	90	70	66	70
	75°	11	13	15	15	25	53	110	180	219	9	75	74	75	58	56	58
	85°	8	12	14	15	16	16	21	29	35	10	62	62	62	49	47	49
	90°	0	0	0	0	0	0	0	0	0							
DLWH P38100M 8AR																	
100W PAR38 FL Lamp	0°	2496	2496	2496	2496	2496	2496	2496	2496	2496	1	24	20	24	21	12	21
5800 rated lumens	5°	1857	1823	1944	2117	2411	2687	2968	3271	3372	2	55	51	55	45	34	45
Test No. LTL15274	15°	939	944	1091	1376	1876	2545	3311	4066	4450	3	81	80	81	66	54	66
	25°	469	484	602	851	1343	1987	2681	3370	3605	4	88	87	88	68	63	68
	35°	188	205	298	499	893	1412	1853	2228	2355	5	82	80	82	63	58	63
	45°	40	43	90	228	453	750	1114	1365	1403	6	70	70	70	55	51	55
	55°	6	7	18	62	176	330	508	650	681	7	59	59	59	46	44	46
	65°	2	2	4	20	46	112	223	323	365	8	49	49	49	38	37	38
	75°	1	1	2	3	11	32	69	116	138	9	40	40	40	31	30	31
	85°	1	2	3	3	4	5	8	15	17	10	33	33	33	26	25	26
	90°	0	0	0	0	0	0	0	0	0							
DLWH P3070MHC 8AR																	
70W PAR30LN FL Lamp	0°	2136	2136	2136	2136	2136	2136	2136	2136	2136	1	13	11	13	11	7	11
4400 rated lumens	5°	1482	1481	1584	1731	1967	2253	2556	2811	2973	2	30	29	30	25	19	25
Test No. LTL15275	15°	746	760	884	1135	1549	2188	3008	3863	4453	3	52	54	52	41	37	41
	25°	380	401	497	706	1101	1805	2711	3501	3822	4	76	78	76	56	57	56
	35°	163	180	251	401	677	1215	1973	2253	2160	5	82	80	82	60	60	60
	45°	33	42	82	171	308	562	1001	1018	892	6	74	72	74	55	53	55
	55°	6	8	16	47	110	202	325	384	380	7	62	61	62	47	45	47
	65°	2	2	4	12	29	68	123	171	198	8	50	50	50	39	37	39
	75°	0	1	2	4	9	20	40	64	74	9	41	40	41	32	30	32
	85°	1	1	2	3	3	3	4	4	2	10	33	33	33	26	25	26
	90°	0	0	0	0	0	0	0	0	0							

NOTES:

- For electrical characteristics consult Technical Bulletins tab.
- Tested to current IES and NEMA standards under stabilized laboratory conditions. Various operating factors can cause differences between laboratory data and actual field measurements. Dimensions and specifications are based on the most current available data and are subject to change without notice.