

# FEATURES

## OPTICAL SYSTEM

- Self-flanged, semi-specular or matte-diffuse compound contour finishing trim in combination with keyed, proprietary Gotham spread lens, delivers a uniform distribution of light to the wall.
- Optical assembly rotates 360°.
- Optical system retained by self-aligning torsion support springs.

## MECHANICAL SYSTEM

- Black painted housing features tool-less top access and accommodates a maximum 1-1/2" ceiling thickness.
- Tool-less re-lamp capability from above or below ceiling.
- 16-gauge galvanized steel mounting bars with continuous 4" vertical adjustment are shipped pre-installed. Post installation adjustment possible without the use of tools from above or below ceiling.
- Galvanized steel junction box with hinged access covers and spring latch. Three combination 1/2"-3/4" and two 1/2" knockouts for straight-through conduit runs. Capacity: 8 (4 in, 4 out) No. 12 AWG conductors rated for 90°C.
- Secondary housing adjustment system for precise, final ceiling to flange alignment.

## ELECTRICAL SYSTEM

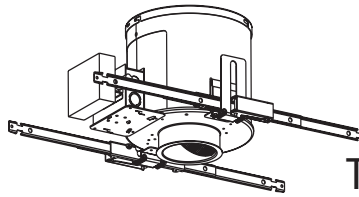
- Tool-less access door provides access to junction box and ballast through the aperture.
- G12 (T6), G8.5 (T4) or PGJ5 (T4T) base ceramic socket.
- Pre-wired, electronic, 120 or 277V ballast module is standard. Assembly can be attached before or after mounting of mounting/plaster frame.
- Thermally activated insulation detector.
- 3000° K lamp ships standard.

## LISTING

- Fixtures are UL Listed for thru-branch wiring, Non-IC recessed mounting and damp locations. Listed and labeled to comply with Canadian Standards.

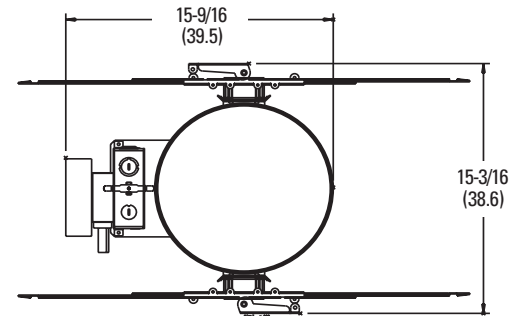
Type

Catalog number

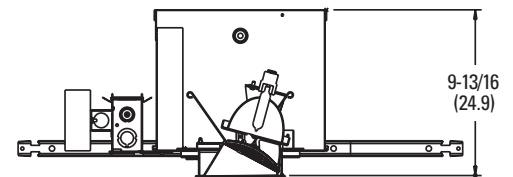


# HID Downlights 4" DLWTH

T4/T6 Lensed Wallwash  
Ceramic Metal Halide Lamp



Aperture: 4-3/8 (11.1)  
Ceiling Opening: 5-1/16 (12.9)  
Overlap Trim: 5-7/16 (3.8)



All dimensions are inches (centimeters).

# ORDERING INFORMATION

Example: **DLWTH T4T 20MHC 4AR LD 120**

Choose the boldface catalog nomenclature that best suits your needs and write it on the appropriate line.

## DLWTH

Series	Lamp Type	Lamp Wattage	Aperture/Trim Color	Finish	Voltage	Ballast	Options
DLWTH	<b>T4T<sup>1,2</sup></b>	<b>20MHC</b>	<b>4AR</b> Clear	(blank) Semi-specular	<b>120</b>	(blank) Electronic ballast	<b>SF</b> Single fuse
	<b>T4<sup>2,3</sup></b>	<b>39MHC</b>	<b>4BR<sup>4</sup></b> Black	<b>LD</b> Matte-diffuse	<b>277</b>	<b>EMB</b> Electro-magnetic ballast	<b>TRW</b> White painted flange
	<b>T6<sup>3</sup></b>	<b>70MHC</b>	<b>4PR</b> Pewter		<b>347<sup>5</sup></b>		<b>TRBL</b> Black painted flange
			<b>4UBR</b> Umber				<b>L/LP</b> Less lamp
			<b>4WTR</b> Wheat				<b>LRC<sup>6</sup></b> Provides compatibility with Lithonia Reloc <sup>®</sup> System. Lithonia Reloc System can be installed less this option with connectors provided by others. Access above ceiling required
							<b>CP</b> Chicago Plenum

## NOTES

- 1 Philips Mini MasterColor<sup>®</sup> available in 20W & 120V only. Consult factory for availability on 39W.
- 2 Available with electronic ballast only.
- 3 Available in 39W & 70W only.
- 4 Not available with finishes.
- 5 Available with 70W electro-magnetic ballast only
- 6 For compatible Reloc system, refer to Technical Bulletins tab.



GOTHAM ARCHITECTURAL DOWNLIGHTING  
1400 Lester Road Conyers Georgia 30012  
P 800 315 4982 F 770 860 3129  
www.gothamlighting.com

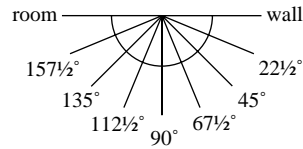
DLWTH 4

AHID-300

# 4" DLWTH Lensed Wallwash

## TECHNICAL INFORMATION

Footcandle values are initial and tables are based on minimum of six units. For fixture-to-wall distance other than those shown, use maximum of one-to-one spacing (distance between fixtures not more than distance to wall) for best results.



Fixture/lamp	Candlepower data						Footcandle values						
	Plane Angle						3 ft. from wall on 3 ft. centers			3 ft. from wall on 4 ft. centers			
	Room Side			Wall Side									
Vertical Angle	90°	67.5°	45°	22.5°	Wall								
<b>DLWTH T4 20M 4AR</b>													
(1) CMH20/TC/U/830 G8.5 Lamp	0°	1115	1115	1115	1115	1115	1	3	2	3	2	1	2
1700 rated lumens	5°	1061	1183	1299	1384	1398	2	8	7	8	7	5	7
Test No. LTL15324	15°	740	935	1177	1430	1553	3	13	12	13	11	8	11
	25°	458	651	823	993	1123	4	18	17	18	14	12	14
	35°	336	484	511	529	552	5	20	19	20	16	14	16
	45°	177	243	222	222	230	6	19	18	19	15	13	15
	55°	49	81	83	92	101	7	17	16	17	14	12	14
	65°	6	16	30	42	48	8	15	14	15	12	11	12
	75°	1	4	8	12	14	9	12	12	12	10	9	10
	85°	1	1	1	1	1	10	10	10	10	8	8	8
	90°	0	0	0	0	0							

Fixture/lamp	Candlepower data						Footcandle values						
	Plane Angle						3 ft. from wall on 3 ft. centers			3 ft. from wall on 4 ft. centers			
	Room Side			Wall Side									
Vertical Angle	90°	67.5°	45°	22.5°	Wall								
<b>DLWTH T4 39M 4AR</b>													
(1) CMH39/TC/U/830/ G8.5 Lamp	0°	2204	2204	2204	2204	2204	1	6	5	6	5	3	5
3400 rated lumens	5°	2128	2323	2487	2615	2640	2	17	15	17	14	10	14
Test No. LTL15323	15°	1534	1868	2204	2498	2654	3	27	26	27	22	17	22
	25°	966	1273	1513	1703	1814	4	35	34	35	28	25	28
	35°	693	904	966	1025	1050	5	38	36	38	29	27	29
	45°	346	446	462	473	483	6	34	33	34	27	24	27
	55°	100	157	177	201	219	7	30	29	30	23	22	23
	65°	13	35	65	91	105	8	25	25	25	20	19	20
	75°	3	9	18	27	31	9	22	22	22	17	16	17
	85°	1	1	1	2	2	10	18	18	18	14	14	14
	90°	0	0	0	0	0							

Fixture/lamp	Candlepower data						Footcandle values						
	Plane Angle						3 ft. from wall on 3 ft. centers			3 ft. from wall on 4 ft. centers			
	Room Side			Wall Side									
Vertical Angle	90°	67.5°	45°	22.5°	Wall								
<b>DLWTH T4 70M 4AR</b>													
(1) CMH70/TC/U/830/ G8.5 Lamp	0°	3527	3527	3527	3527	3527	1	10	8	10	9	5	9
6200 rated lumens	5°	3383	3757	4085	4339	4385	2	29	26	29	24	17	24
Test No. LTL15322	15°	2517	3201	3816	4322	4581	3	49	47	49	40	32	40
	25°	1652	2276	2816	3207	3426	4	66	65	66	52	47	52
	35°	1188	1670	1840	1918	1959	5	71	67	71	54	50	54
	45°	602	827	892	885	873	6	65	63	65	50	46	50
	55°	166	273	318	351	378	7	56	55	56	44	41	44
	65°	23	61	109	154	176	8	47	47	47	37	35	37
	75°	7	16	33	49	57	9	40	39	40	31	30	31
	85°	4	4	4	4	4	10	33	33	33	26	26	26
	90°	0	0	0	0	0							

Fixture/lamp	Candlepower data						Footcandle values						
	Plane Angle						3 ft. from wall on 3 ft. centers			3 ft. from wall on 4 ft. centers			
	Room Side			Wall Side									
Vertical Angle	90°	67.5°	45°	22.5°	Wall								
<b>DLWTH T4T 20M 4AR</b>													
(1) CDM-Tm 20W/830 Lamp	0°	1076	1076	1076	1076	1076	1	3	2	3	2	1	2
1500 rated lumens	5°	994	1066	1151	1223	1232	2	9	8	9	8	5	8
Test No. LTL15325	15°	703	830	949	1096	1171	3	18	17	18	15	11	15
	25°	509	633	754	933	1034	4	25	24	25	20	17	20
	35°	386	538	615	686	739	5	25	24	25	19	18	19
	45°	230	310	328	329	324	6	21	21	21	17	15	17
	55°	72	114	108	117	125	7	17	17	17	14	12	14
	65°	7	17	31	45	52	8	14	14	14	11	10	11
	75°	1	4	8	13	14	9	11	11	11	9	9	9
	85°	1	1	1	1	1	10	9	9	9	7	7	7
	90°	0	0	0	0	0							

### NOTES:

- For electrical characteristics consult Technical Bulletins tab.
- Tested to current IES and NEMA standards under stabilized laboratory conditions. Various operating factors can cause differences between laboratory data and actual field measurements. Dimensions and specifications are based on the most current available data and are subject to change without notice.

AHID-300

©2006 Gotham, Rev. 10/06  
AHID-300.p65

**gotham**  
An Acuity Brands Company

GOTHAM ARCHITECTURAL DOWNLIGHTING  
1400 Lester Road Conyers Georgia 30012  
P 800 315 4982 F 770 860 3129  
www.gothamlighting.com