

FEATURES

OPTICAL SYSTEM

- Self-flanged, semi-specular or matte-diffuse compound contour finishing trim in combination with keyed, proprietary Gotham spread lens, delivers a uniform distribution of light to the wall.
- Optical assembly rotates 360°.
- Optical system retained by self-aligning torsion support springs.

MECHANICAL SYSTEM

- Black painted housing features tool-less top access and accommodates a maximum 1-1/2" ceiling thickness.
- Tool-less re-lamp capability from above or below ceiling.
- 16-gauge galvanized steel mounting bars with continuous 4" vertical adjustment are shipped pre-installed. Post installation adjustment possible without the use of tools from above or below ceiling.
- Galvanized steel junction box with hinged access covers and spring latch. Three combination 1/2"-3/4" and two 1/2" knockouts for straight-through conduit runs. Capacity: 8 (4 in, 4 out) No. 12 AWG conductors rated for 90°C.
- Secondary housing adjustment system for precise, final ceiling to flange alignment.

ELECTRICAL SYSTEM

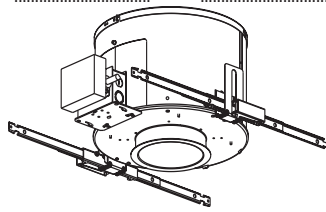
- Tool-less access door provides access to junction box and ballast through the aperture.
- G12 (T6), G8.5 (T4) or PGJ5 (T4T) base ceramic socket.
- Pre-wired, electronic, 120 or 277V ballast module is standard. Assembly can be attached before or after mounting of mounting/plaster frame.
- Thermally activated insulation detector.
- 3000°K lamp ships standard.

LISTING

- Fixtures are UL Listed for thru-branch wiring, Non-IC recessed mounting and damp locations. Listed and labeled to comply with Canadian Standards.

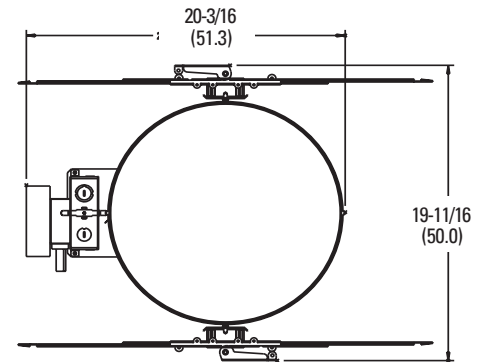
Type

Catalog number

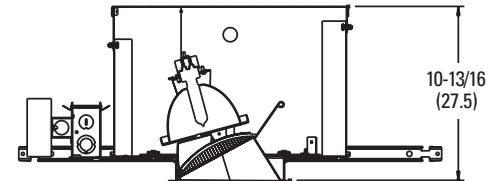


HID Downlights 6" DLWTH

T4/T6 Lensed Wallwash
Ceramic Metal Halide Lamp



Aperture: 6-1/4 (15.9)
Ceiling Opening: 6-7/8 (17.5)
Overlap Trim: 7-1/2 (19.1)



All dimensions are inches (centimeters).

ORDERING INFORMATION

Example: **DLWTH T6 39MHC 6AR LD 120**

Choose the boldface catalog nomenclature that best suits your needs and write it on the appropriate line.

DLWTH

Series	Lamp Type	Lamp Wattage	Aperture/Trim Color	Finish	Voltage	Ballast	Options
DLWTH	T4T ^{1,2}	20MHC	6AR Clear	(blank) Semi-specular	120	(blank) Electronic ballast	SF Single fuse
	T4 ^{2,3}	39MHC	6BR ⁵ Black	LD Matte-diffuse	277	EMB Electro-magnetic ballast	TRW White painted flange
	T6 ⁴	70MHC	6PR Pewter		347 ⁶		TRBL Black painted flange
		150MHC	6UBR Umber				L/LP Less lamp
			6WTR Wheat				LRC ⁷ Provides compatibility with Lithonia Reloc [®] System. Lithonia Reloc System can be installed less this option with connectors provided by others. Access above ceiling required
							CP Chicago Plenum

NOTES

- 1 Philips Mini MasterColor[®] available in 20W & 120V only. Consult factory for availability on 39W.
- 2 Available with electronic ballast only.
- 3 Available in 39W & 70W only.
- 4 Available in 39W, 70W & 150W only.
- 5 Not available with finishes.
- 6 Available with 70W & 150W electro-magnetic ballast only.
- 7 For compatible Reloc system, refer to Technical Bulletin tab.



GOTHAM ARCHITECTURAL DOWNLIGHTING
1400 Lester Road Conyers Georgia 30012
P 800 315 4982 F 770 860 3129
www.gothamlighting.com

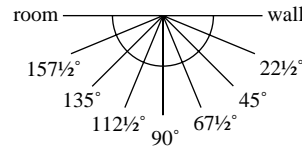
DLWTH 6

AHID-310

6" DLWTH Lensed Wallwash

TECHNICAL INFORMATION

Footcandle values are initial and tables are based on minimum of six units. For fixture-to-wall distance other than those shown, use maximum of one-to-one spacing (distance between fixtures not more than distance to wall) for best results.



Fixture/lamp	Candlepower data										Footcandle values																			
	Vertical Angle	Plane Angle									3 ft. from wall on 3 ft. centers			3 ft. from wall on 4 ft. centers																
		Room	Room Side			Wall Side			Room	157.5°	135°	112.5°	90°	67.5°	45°	22.5°	Wall	1	2	3	4	5	6	7	8	9	10			
DLWTH T6 39M 6AR (1) CMH39/T/U/830/ G12 Lamp 3400 rated lumens Test No. LTL15420	0°	2380	2380	2380	2380	2380	2380	2380	2380	2380	2380	2380	2380	2380	2380	2380	1	8	6	8	7	4	7	2	20	18	20	16	12	16
	5°	1639	1768	1912	2121	2385	2636	2807	2901	2923							3	27	26	27	22	18	22	4	31	30	31	25	21	25
	15°	634	733	968	1423	2013	2407	2632	2790	2744							5	30	30	30	24	22	24	6	28	28	28	22	21	22
	25°	261	329	476	734	1273	1797	1795	1644	1542							7	27	27	27	20	20	20	8	25	24	25	19	19	19
	35°	105	132	182	313	694	861	878	889	867							9	22	22	22	17	17	17	10	19	19	19	15	15	15
	45°	24	36	57	225	401	448	406	464	456																				
	55°	2	5	13	82	144	176	192	226	236																				
	65°	0	2	2	7	20	53	86	114	126																				
	75°	1	1	2	2	4	11	21	32	39																				
	85°	0	2	1	2	2	2	2	5	5																				
	90°	0	0	0	0	0	0	0	0	0																				
DLWTH T6 70M 6AR (1) CMH70/T/U/830/ G12 Lamp 6200 rated lumens Test No. LTL15418	0°	3989	3989	3989	3989	3989	3989	3989	3989	3989	3989	3989	3989	3989	3989	3989	1	13	10	13	11	6	11	2	36	32	36	29	22	29
	5°	2774	2940	3168	3518	3998	4528	4899	5150	5207							3	53	51	53	44	34	44	4	64	63	64	52	44	52
	15°	1165	1316	1684	2366	3323	4357	4875	5382	5439							5	66	66	67	53	47	53	6	65	64	65	51	47	51
	25°	484	591	842	1196	1969	3031	3583	3834	3754							7	60	60	60	46	45	46	8	53	53	53	40	40	40
	35°	193	238	342	516	1128	1659	1879	1968	1876							9	45	45	45	35	35	35	10	38	38	38	30	30	30
	45°	49	66	101	307	806	1025	853	953	906																				
	55°	5	8	19	109	275	401	369	420	438																				
	65°	1	4	5	13	27	87	143	195	223																				
	75°	0	3	4	4	8	17	33	51	63																				
	85°	1	2	3	4	3	4	4	7	9																				
	90°	0	0	0	0	0	0	0	0	0																				
DLWTH T6 150M 6AR (1) CMH150/T/U/830/ G12 Lamp 14000 rated lumens Test No. LTL15406	0°	7027	7027	7027	7027	7027	7027	7027	7027	7027	7027	7027	7027	7027	7027	7027	1	27	21	27	24	13	24	2	80	72	80	66	48	66
	5°	5250	5499	5946	6217	7110	8076	8537	8582	8830							3	126	120	126	103	82	103	4	167	161	168	134	113	134
	15°	2563	2871	3605	4678	5732	7658	9332	10451	10621							5	168	165	168	132	119	132	6	158	157	158	122	115	123
	25°	1113	1460	1766	2487	3876	5595	7306	8670	8773							7	139	137	139	106	103	106	8	115	115	115	89	87	89
	35°	451	611	804	1345	2513	3621	4321	4768	4832							9	94	95	94	73	73	73	10	77	78	77	61	61	61
	45°	115	194	306	934	1698	2148	2167	2253	2139																				
	55°	7	18	54	305	668	875	850	973	1014																				
	65°	0	3	11	28	81	205	327	436	484																				
	75°	2	6	8	7	19	42	80	119	139																				
	85°	0	4	6	6	8	8	10	15	17																				
	90°	0	0	0	0	0	0	0	0	0																				

NOTES:

- For electrical characteristics consult Technical Bulletins tab.
- Tested to current IES and NEMA standards under stabilized laboratory conditions. Various operating factors can cause differences between laboratory data and actual field measurements. Dimensions and specifications are based on the most current available data and are subject to change without notice.

AHID-310

©2006 Gotham, Rev. 10/06
AHID-310.p65

gotham
An Acuity Brands Company

GOTHAM ARCHITECTURAL DOWNLIGHTING
1400 Lester Road Conyers Georgia 30012
P 800 315 4982 F 770 860 3129
www.gothamlighting.com