

FEATURES

OPTICAL SYSTEM

- Self-flanged, semi-specular, matte-diffuse or specular compound contour finishing trim in combination with keyed, proprietary Gotham spread lens delivers a uniform distribution of light to the wall.
- Retained by two self-aligning torsion springs. Relamping capability from above or below ceiling.
- Internal housing components painted black.
- Optical assembly rotates 360°.

MECHANICAL SYSTEM

- Rolled steel housing wrap with junction box access door allows for easy maintenance through the aperture.
- Black painted steel mounting frame features tool-less top access and accommodates a maximum 1-1/2" ceiling thickness.
- 16-gauge galvanized steel mounting bars with continuous 4" vertical adjustment are shipped pre-installed. Post installation adjustment possible without the use of tools from above or below ceiling.
- Secondary housing adjustment system for precise, final ceiling to flange alignment.
- Galvanized steel junction box with bottom hinged access covers and spring latch. Three combination 1/2"-3/4" and one 1/2" knockouts for straight-through conduit runs. Capacity: 8 (4 in, 4 out) No. 12 AWG conductors rated for 90°C.

ELECTRICAL SYSTEM

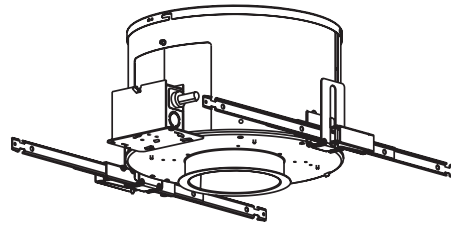
- Medium-base porcelain socket with nickel-plated screw shell.
- Thermally-activated insulation detector is replaceable without the use of tools.

LISTING

- Fixtures are UL Listed for thru-branch wiring, Non-IC recessed mounting and damp locations. Listed and labeled to comply with Canadian Standards.

Type

Catalog number



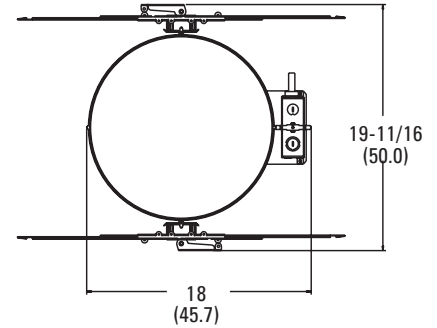
Incandescent Downlights

6" DLW

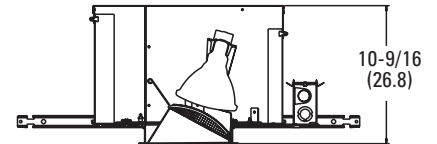
Lensed Wallwash

PAR30 or PAR38 Lamp

Aperture: 6-1/4 (15.9)
 Ceiling opening: 6-7/8 (17.5)
 Overlap trim: 7-5/8 (19.4)



All dimensions are inches (centimeters)



ORDERING INFORMATION

Example: **DLW 6AR**

Choose the boldface catalog nomenclature that best suits your needs and write it on the appropriate line.

DLW			
Series¹	Aperture/ Trim color	Finish	Options
DLW	6AR Clear 6BR² Black 6PR Pewter 6UBR Umber 6WTR Wheat 6CR Champagne Gold 6GR Gold	(blank) Semi-specular LD Matte-diffuse LS Specular	SDT 277V to 120V stepdown transformer SDT347 347V to 120V stepdown transformer. (75W Max.) SF Single fuse TRW White painted flange TRBL Black painted flange GSKT Foam gasketing LRC³ Provides compatibility with Lithonia Reloc [®] System. Lithonia Reloc System can be installed less this option with connectors provided by others. Access above ceiling required CP Chicago Plenum

NOTES:

1 Maximum wattage: 250W PAR38

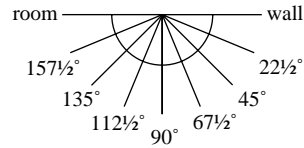
2 Not available with finishes.

3 For compatible Reloc systems, refer to Technical Bulletins tab.

6" DLW Lensed Wallwash

TECHNICAL INFORMATION

Footcandle values are initial and tables are based on minimum of six units. For fixture-to-wall distance other than those shown, use maximum of one-to-one spacing (distance between fixtures not more than distance to wall) for best results.



Fixture/lamp	Candlepower data										Footcandle values							
	Vertical Angle	Plane Angle									3 ft. from wall on 3 ft. centers			3 ft. from wall on 4 ft. centers				
		Room	Room Side				Wall Side										Wall	
DLW 6AR 250W PAR38 FL Lamp 3100 rated lumens Test No. LTL15303	0°	1608	1608	1608	1608	1608	1608	1608	1608	1608	1608	1	10	9	10	9	6	9
	5°	1173	1207	1278	1400	1542	1695	1828	1943	1996		2	20	18	20	16	13	16
	15°	508	546	676	938	1294	1665	2023	2239	2290		3	28	28	28	22	19	22
	25°	238	259	345	558	938	1390	1731	1825	1762		4	37	38	37	28	28	28
	35°	103	117	168	330	669	1082	1194	1118	981		5	40	40	40	29	30	29
	45°	34	42	71	157	317	554	625	526	454		6	38	37	38	28	28	28
	55°	6	8	22	49	95	162	212	221	223		7	33	33	33	25	25	25
	65°	0	0	2	14	29	57	95	123	133		8	28	29	28	21	22	21
	75°	0	1	2	2	8	20	37	54	59		9	24	24	24	18	18	18
	85°	0	0	2	1	1	1	4	7	8		10	20	20	20	15	15	15
	90°	0	0	0	0	0	0	0	0	0								

Fixture/lamp	Candlepower data										Footcandle values							
	Vertical Angle	Plane Angle									3 ft. from wall on 3 ft. centers			3 ft. from wall on 4 ft. centers				
		Room	Room Side				Wall Side										Wall	
DLW 6AR 75W PAR30LN WFL Lamp 1130 rated lumens Test No. LTL15304	0°	519	519	519	519	519	519	519	519	519	519	1	3	3	3	3	2	3
	5°	396	407	432	467	508	553	592	621	634		2	7	7	7	6	5	6
	15°	200	216	265	348	460	578	668	721	724		3	11	11	11	9	8	9
	25°	99	111	153	240	377	522	619	634	598		4	15	15	15	11	12	11
	35°	44	51	80	152	268	410	466	424	368		5	15	15	15	11	12	11
	45°	11	14	29	68	127	202	247	205	180		6	14	14	14	10	10	10
	55°	2	3	6	17	41	71	95	87	85		7	12	12	12	9	9	9
	65°	0	1	1	4	9	20	34	44	48		8	10	10	10	7	8	7
	75°	0	0	1	1	3	7	13	19	21		9	8	8	8	6	6	6
	85°	0	1	1	1	1	1	2	3	3		10	7	7	7	5	5	5
	90°	0	0	0	0	0	0	0	0	0								

Fixture/lamp	Candlepower data										Footcandle values							
	Vertical Angle	Plane Angle									3 ft. from wall on 3 ft. centers			3 ft. from wall on 4 ft. centers				
		Room	Room Side				Wall Side										Wall	
DLW 6AR 100W PAR38 FL Lamp 1500 rated lumens Test No. LTL15306	0°	881	881	881	881	881	881	881	881	881	881	1	5	4	5	4	3	4
	5°	620	652	705	781	876	974	1051	1110	1128		2	10	9	10	8	6	8
	15°	254	282	372	550	788	1044	1250	1326	1333		3	15	15	15	12	10	12
	25°	109	123	183	328	577	848	1052	1059	991		4	20	20	20	15	14	15
	35°	49	55	83	165	344	556	641	602	547		5	21	21	21	16	15	16
	45°	17	21	35	80	176	265	283	272	255		6	20	19	20	15	15	15
	55°	3	5	10	28	63	99	111	113	116		7	18	17	18	13	13	13
	65°	0	1	2	6	15	30	47	61	66		8	15	15	15	11	11	11
	75°	0	1	1	1	3	9	18	26	29		9	13	13	13	10	10	10
	85°	0	0	1	1	1	1	2	3	3		10	11	11	11	8	8	8
	90°	0	0	0	0	0	0	0	0	0								

NOTES:

1. Tested to current IES and NEMA standards under stabilized laboratory conditions. Various operating factors can cause differences between laboratory data and actual field measurements. Dimensions and specifications are based on the most current available data and are subject to change without notice.