

FEATURES

OPTICAL SYSTEM

- Self-flanged, semi-specular, matte-diffuse or specular compound contour finishing trim in combination with keyed, proprietary Gotham spread lens delivers a uniform distribution of light to the wall.
- Retained by two self-aligning torsion springs. Relamping capability from above or below ceiling.
- Internal housing components painted black.
- Optical assembly rotates 360°.

MECHANICAL SYSTEM

- Rolled steel housing wrap with junction box access door allows for easy maintenance through the aperture.
- Black painted steel mounting frame features tool-less top access and accommodates a maximum 1-1/2" ceiling thickness.
- 16-gauge galvanized steel mounting bars with continuous 4" vertical adjustment are shipped pre-installed. Post installation adjustment possible without the use of tools from above or below ceiling.
- Secondary housing adjustment system for precise, final ceiling to flange alignment.
- Galvanized steel junction box with bottom hinged access covers and spring latch. Three combination 1/2"-3/4" and one 1/2" knockouts for straight-through conduit runs. Capacity: 8 (4 in, 4 out) No. 12 AWG conductors rated for 90°C.

ELECTRICAL SYSTEM

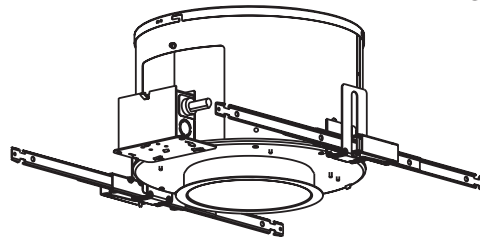
- Medium-base porcelain socket with nickel-plated screw shell.
- Thermally-activated insulation detector is replaceable without the use of tools.

LISTING

- Fixtures are UL Listed for thru-branch wiring, Non-IC recessed mounting and damp locations. Listed and labeled to comply with Canadian Standards.

Type

Catalog number

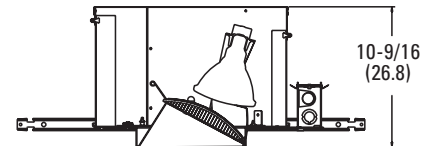
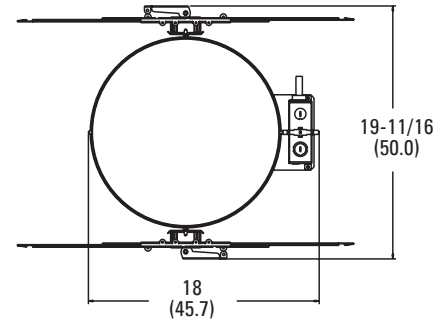


Incandescent Downlights

8" DLW

Lensed Wallwash

PAR30 or PAR38 Lamp



Aperture: 8 (20.3)
 Ceiling opening: 8-7/8 (22.5)
 Overlap trim: 9-3/8 (23.8)

All dimensions are inches (centimeters).

ORDERING INFORMATION

Example: **DLW 8AR**

Choose the boldface catalog nomenclature that best suits your needs and write it on the appropriate line.

DLW							
Series ¹	Aperture/ Trim color	Finish	Options				
DLW	8AR Clear	(blank) Semi-specular	SDT 277V to 120V stepdown transformer				
	8BR ² Black	LD Matte-diffuse	SDT347 347V to 120V stepdown transformer. (75W Max.)				
	8PR Pewter	LS Specular	SF Single fuse				
	8UBR Umber		TRW White painted flange				
	8WTR Wheat		TRBL Black painted flange				
	8CR Champagne Gold		GSKT Foam gasketing				
	8GR Gold		LRC ³ Provides compatibility with Lithonia Reloc® System. Lithonia Reloc System can be installed less this option with connectors provided by others. Access above ceiling required				
			CP Chicago Plenum				

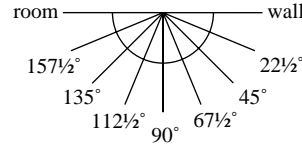
NOTES:

- 1 Maximum wattage: 250W PAR38
- 2 Not available with finishes.
- 3 For compatible Reloc systems, refer to Technical Bulletins tab.

8" DLW Lensed Wallwash

TECHNICAL INFORMATION

Footcandle values are initial and tables are based on minimum of six units. For fixture-to-wall distance other than those shown, use maximum of one-to-one spacing (distance between fixtures not more than distance to wall) for best results.



Fixture/lamp	Candlepower data									Footcandle values									
	Vertical Angle	Plane Angle								3 ft. from wall on 3 ft. centers			3 ft. from wall on 4 ft. centers						
		Room	Room Side				Wall Side												
DLW 8AR																			
250W PAR38 FL Lamp																			
3100 rated lumens	0°	1312	1312	1312	1312	1312	1312	1312	1312	1312	1312	1312	1312	1312	1312	1312	1312	1312	1312
Test No. LTL15270	5°	865	976	1041	1139	1272	1420	1569	1700	1765									
	15°	411	482	572	747	1029	1414	1841	2269	2495	1	13	11	13	11	7	11		
	25°	202	246	321	481	773	1193	1643	1960	2099	2	26	24	26	22	16	22		
	35°	83	110	165	292	523	870	1247	1393	1431	3	44	45	44	36	30	36		
	45°	23	33	61	132	252	466	775	839	793	4	53	54	53	40	40	40		
	55°	4	6	17	51	95	169	288	333	320	5	50	50	50	38	37	38		
	65°	1	0	3	15	35	74	127	167	175	6	43	42	43	33	31	32		
	75°	0	0	0	0	8	25	51	72	77	7	36	35	35	27	26	27		
	85°	0	0	0	0	0	0	4	7	8	8	29	28	29	22	21	22		
	90°	0	0	0	0	0	0	0	0	0	9	23	23	23	18	18	18		
											10	19	19	19	15	14	15		

Fixture/lamp	Candlepower data									Footcandle values									
	Vertical Angle	Plane Angle								3 ft. from wall on 3 ft. centers			3 ft. from wall on 4 ft. centers						
		Room	Room Side				Wall Side												
DLW 8AR																			
100W PAR38 FL Lamp																			
1500 rated lumens	0°	723	723	723	723	723	723	723	723	723	1	6	5	6	5	3	5		
Test No. LTL15271	5°	484	537	576	642	724	813	894	949	984	2	13	12	13	11	8	11		
	15°	224	263	314	419	587	836	1119	1310	1408	3	20	20	20	16	13	16		
	25°	107	129	168	257	439	688	915	1054	1072	4	22	21	22	16	16	16		
	35°	43	55	81	142	264	482	601	605	594	5	21	20	21	16	15	16		
	45°	11	15	30	64	113	202	330	364	349	6	19	19	19	15	14	15		
	55°	2	3	7	21	46	81	125	160	163	7	17	16	17	13	12	13		
	65°	0	0	1	5	14	32	58	80	89	8	14	14	14	11	10	11		
	75°	0	0	0	0	2	9	20	32	38	9	12	12	12	9	9	9		
	85°	0	0	0	0	0	0	1	3	4	10	10	10	10	8	7	8		
	90°	0	0	0	0	0	0	0	0	0									

Fixture/lamp	Candlepower data									Footcandle values									
	Vertical Angle	Plane Angle								3 ft. from wall on 3 ft. centers			3 ft. from wall on 4 ft. centers						
		Room	Room Side				Wall Side												
DLW 8AR																			
75W PAR30LN WFL Lamp																			
1130 rated lumens	0°	380	380	380	380	380	380	380	380	380	1	4	3	4	3	2	3		
Test No. LTL15272	5°	269	300	316	343	380	417	450	476	490	2	10	10	10	9	6	9		
	15°	147	169	195	247	329	439	553	645	703	3	19	19	19	16	13	16		
	25°	78	93	117	166	258	402	565	670	709	4	23	23	23	17	17	17		
	35°	32	43	62	101	172	302	478	565	591	5	20	20	20	15	15	15		
	45°	7	10	22	48	91	178	312	346	346	6	16	16	16	12	12	12		
	55°	1	2	5	14	33	69	122	142	144	7	13	13	13	10	10	10		
	65°	0	0	1	4	9	21	40	56	61	8	10	10	10	8	8	8		
	75°	0	0	0	0	2	6	14	20	22	9	8	8	8	6	6	6		
	85°	0	0	0	0	0	0	1	2	3	10	6	6	6	5	5	5		
	90°	0	0	0	0	0	0	0	0	0									

NOTES:

1. Tested to current IES and NEMA standards under stabilized laboratory conditions. Various operating factors can cause differences between laboratory data and actual field measurements. Dimensions and specifications are based on the most current available data and are subject to change without notice.