

# FEATURES

## OPTICAL SYSTEM

- Reflector System - Self-flanged, highly reflective/diffuse white painted cone. Outside of inner reflector is white with semi-specular or matte-diffuse inner surface finish. Patented Bounding Ray™ Optical design provides exceptional glare control for visual comfort.
- A patent-pending dual reflector optical system allows effective general illumination with a compact fluorescent source to function independently from a color-changing LED source.
- Inner reflector is field adjustable, allowing the designer to reveal subtle color (inner cone flush with ceiling) or enhance the color effect by revealing 3/8" or 3/4" of the inner reflector below the ceiling.
- An array of Red-Green-Blue LEDs provides up to 16.6 million vibrant color options. LEDs are visually shielded to prevent a direct line of sight to the source.

## MECHANICAL

- 16-gauge galvanized steel mounting/plaster frame accommodates up to 1-1/2" thick ceiling standard.
- 16-gauge galvanized steel mounting bars with continuous 4" vertical adjustment are shipped pre-installed. Post installation adjustment possible without the use of tools from above or below ceiling.
- Galvanized steel junction box with hinged access covers and spring latch. Two combination 1/2"-3/4" and three 1/2" knockouts for straight-through conduit runs. Capacity: 8 (4 in, 4 out) No. 12 AWG conductors rated for 90°C.

## ELECTRICAL SYSTEM

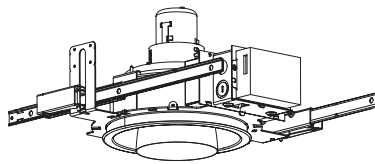
- Solid state LED driver provides 99 timing cycle modes (5 seconds to 24 hours), nine pre-programmed color change modes and nine static colors - controlled by integral switches or an optional remote digital wallstation (12 timing cycle modes). DMX512 compatible control (by others) expands control options, allowing sophisticated theatrical programs.
- Compact fluorescent and LED sources are independently wired from the factory enhancing visual and control flexibility.
- Rugged aluminum lampholder housing designed for positive lamp positioning.
- Vertically-mounted, positive-latch thermoplastic socket.
- Class P, thermally-protected, high power factor electronic ballast mounted to the junction box.

## LISTING

- Fixtures are UL listed for thru-branch wiring, Non-IC recessed mounting and dry locations. Listed and labeled to comply with Canadian Standards.

Type

Catalog number



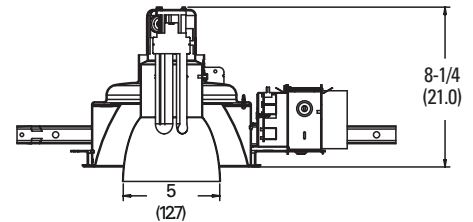
## Compact Fluorescent Downlights

# 8" PDLFV

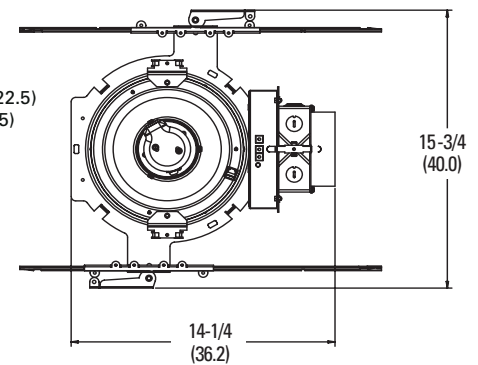
Candéo® LED

Open Reflector

Vertical Triple-Tube Lamp



Aperture: 7-7/8 (20)  
Ceiling Opening: 8-7/8 (22.5)  
Overlap Trim: 9-1/4 (23.5)



All dimensions are inches (centimeters).

# ORDERING INFORMATION

Example: **PDLFV 18TRT 8AR MVOLT**

Choose the boldface catalog nomenclature that best suits your needs and write it on the appropriate line. Order accessories as separate catalog number (shipped separately).

## PDLFV

Series	Wattage/Lamp	Aperture/Trim Color	Finish	Voltage	Ballast <sup>2</sup>	Options
<b>PDLFV</b>	<b>18TRT</b> <b>26TRT</b> <b>32TRT</b>	<b>8AR</b> Clear	(blank) Semi-specular <b>LD</b> Matte-diffuse	<b>MVOLT<sup>1</sup></b> <b>120</b> <b>277</b>	(blank) Electronic ballast (standard) <b>ADEZ<sup>3</sup></b> Advance Mark 10 <sup>®</sup> electronic dimming ballast <b>ADZT</b> Advance Mark 7 <sup>®</sup> electronic dimming ballast <b>DMHL<sup>3</sup></b> Lutron Compact SE™ electronic dimming ballast <b>DMHL3<sup>3,4</sup></b> Lutron Hi-Lume <sup>®</sup> 1% electronic dimming ballast	<b>ELR<sup>5</sup></b> Emergency battery pack. Remote test switch provided <b>GMF</b> Single, slow blow fuse (not available with MVOLT) <b>GLR</b> Single, fast blow fuse (not available with MVOLT) <b>WLP</b> Lamp (shipped separately) <b>LRC<sup>6</sup></b> Provides compatibility with Lithonia Reloc System <sup>®</sup> . Lithonia Reloc System can be installed less this option with connectors provided by others. Access above ceiling required

## NOTES

- 1 Multi-volt electronic ballast capable of operating on any line voltage from 120V through 277V, 50 or 60 HZ.
- 2 Ships with two separate circuits.
- 3 120V or 277V only.
- 4 Available in 26W and 32W only.
- 5 For dimensional changes, refer to Technical Bulletins tab.
- 6 For compatible Reloc Systems, refer to Technical Bulletins tab.

This product is protected by U.S. Patent Nos. 5,800,050 & 7,014,341. Other patents pending.

# 8" PDLFV Candéo® LED Open Reflector

Distribution curve    Distribution data    Output data    Coefficient of utilization    Illuminance Data at 30" Above Floor for a Single Luminaire

## PDLFV 26TRT 8AR (Blue LED), CF26DT/E/IN/835, 1800 Rated lumens, Pos. #1 (flush), Test No. LTL15156

From 0°	Ave	Lumens	Zone	Lumens	% Lamp	pf	Coefficient of utilization						Illuminance Data at 30" Above Floor for a Single Luminaire					
							80%		20%		50%		50° beam angle			10% beam angle		
							50%	30%	50%	30%	50%	30%	Initial fc	fc at	fc at	Beam	Beam	Beam
pc	pw	50%	30%	50%	30%	50%	30%	Mount height	at beam center	Beam diameter	beam edge	Beam diameter	beam edge					
0	829		0° - 30°	512.5	28.3	1	.49	.47	.48	.47	.46	.45	8	27.4	4.8	13.7	9.5	2.7
5	845	79	0° - 40°	708.0	39.1	2	.45	.43	.44	.43	.43	.41	10	14.7	6.6	7.4	12.9	1.5
15	717	200	0° - 60°	789.3	43.6	3	.42	.40	.41	.39	.40	.38	12	9.2	8.3	4.6	16.4	0.9
25	509	233	0° - 90°	795.0	43.9	4	.39	.36	.38	.36	.37	.35	14	6.3	10.1	3.1	19.8	0.6
35	321	196	90° - 180°	0.0	0.0	5	.36	.34	.36	.33	.35	.33	16	4.5	11.8	2.3	23.3	0.5
45	90	74	0° - 180°	795.0	*43.9	6	.34	.31	.34	.31	.33	.31						
55	7	8				7	.32	.29	.31	.29	.31	.29						
65	3	3				8	.30	.27	.30	.27	.29	.27						
75	2	2				9	.28	.25	.28	.25	.27	.25						
85	0	0				10	.26	.24	.26	.24	.26	.24						
90	0	0																

## PDLFV 32TRT 8AR (Blue LED), CF32DT/E/IN/835, 2400 Rated lumens, Pos. #1 (flush), Test No. LTL15159

From 0°	Ave	Lumens	Zone	Lumens	% Lamp	pf	Coefficient of utilization						Illuminance Data at 30" Above Floor for a Single Luminaire					
							80%		20%		50%		50° beam angle			10% beam angle		
							50%	30%	50%	30%	50%	30%	Initial fc	fc at	fc at	Beam	Beam	Beam
pc	pw	50%	30%	50%	30%	50%	30%	Mount height	at beam center	Beam diameter	beam edge	Beam diameter	beam edge					
0	909		0° - 30°	606.1	25.2	1	.49	.47	.48	.47	.46	.45	8	30.0	5.3	15.0	10.6	3.0
5	930	88	0° - 40°	886.9	36.8	2	.45	.43	.44	.43	.43	.41	10	16.2	7.2	8.1	14.5	1.6
15	811	228	0° - 60°	1058.9	44.0	3	.41	.39	.41	.39	.40	.38	12	10.1	9.1	5.0	18.4	1.0
25	636	291	0° - 90°	1065.6	44.2	4	.38	.36	.38	.35	.37	.35	14	6.9	11.1	3.4	22.3	0.7
35	453	281	90° - 180°	0.0	0.0	5	.35	.33	.35	.32	.34	.32	16	5.0	13.0	2.5	26.1	0.5
45	216	158	0° - 180°	1065.6	*44.2	6	.33	.30	.33	.30	.32	.29						
55	12	14				7	.31	.28	.30	.28	.30	.27						
65	4	4				8	.29	.26	.28	.26	.28	.25						
75	2	2				9	.27	.24	.27	.24	.26	.24						
85	0	0				10	.25	.22	.25	.22	.25	.22						
90	0	0																

## PDLFV 26TRT 8AR (No LED), CF26DT/E/IN/835, 1800 Rated lumens, Pos. #1 (flush), Test No. LTL15154

From 0°	Ave	Lumens	Zone	Lumens	% Lamp	pf	Coefficient of utilization						Illuminance Data at 30" Above Floor for a Single Luminaire					
							80%		20%		50%		50° beam angle			10% beam angle		
							50%	30%	50%	30%	50%	30%	Initial fc	fc at	fc at	Beam	Beam	Beam
pc	pw	50%	30%	50%	30%	50%	30%	Mount height	at beam center	Beam diameter	beam edge	Beam diameter	beam edge					
0	835		0° - 30°	514.0	28.6	1	.49	.48	.48	.47	.46	.45	8	27.6	4.8	13.8	9.5	2.8
5	846	79	0° - 40°	710.3	39.5	2	.45	.43	.45	.43	.43	.42	10	14.8	6.5	7.4	12.9	1.5
15	718	200	0° - 60°	791.4	44.0	3	.42	.40	.41	.39	.40	.39	12	9.3	8.3	4.6	16.4	0.9
25	512	234	0° - 90°	796.8	44.3	4	.39	.37	.39	.36	.38	.36	14	6.3	10.0	3.2	19.8	0.6
35	322	196	90° - 180°	0.0	0.0	5	.37	.34	.36	.34	.35	.33	16	4.6	11.8	2.3	23.2	0.5
45	90	74	0° - 180°	796.8	*44.3	6	.34	.31	.34	.31	.33	.31						
55	7	7				7	.32	.29	.32	.29	.31	.29						
65	3	3				8	.30	.27	.30	.27	.29	.27						
75	2	2				9	.28	.26	.28	.25	.28	.25						
85	0	0				10	.27	.24	.27	.24	.26	.24						
90	0	0																

## PDLFV 32TRT 8AR (No LED), CF32DT/E/IN/835, 2400 Rated lumens, Pos. #1 (flush), Test No. LTL15157

From 0°	Ave	Lumens	Zone	Lumens	% Lamp	pf	Coefficient of utilization						Illuminance Data at 30" Above Floor for a Single Luminaire					
							80%		20%		50%		50° beam angle			10% beam angle		
							50%	30%	50%	30%	50%	30%	Initial fc	fc at	fc at	Beam	Beam	Beam
pc	pw	50%	30%	50%	30%	50%	30%	Mount height	at beam center	Beam diameter	beam edge	Beam diameter	beam edge					
0	912		0° - 30°	608.0	25.3	1	.49	.48	.48	.47	.46	.45	8	30.1	5.3	15.1	10.7	3.0
5	933	88	0° - 40°	889.5	37.1	2	.45	.43	.44	.43	.43	.41	10	16.2	7.2	8.1	14.5	1.6
15	814	229	0° - 60°	1062.2	44.3	3	.42	.39	.41	.39	.40	.38	12	10.1	9.1	5.1	18.4	1.0
25	638	291	0° - 90°	1068.9	44.5	4	.39	.36	.38	.36	.37	.35	14	6.9	11.1	3.4	22.3	0.7
35	454	281	90° - 180°	0.0	0.0	5	.36	.33	.35	.33	.34	.32	16	5.0	13.0	2.5	26.1	0.5
45	217	158	0° - 180°	1068.9	*44.5	6	.33	.30	.33	.30	.32	.30						
55	12	14				7	.31	.28	.31	.28	.30	.27						
65	4	4				8	.29	.26	.29	.26	.28	.26						
75	2	2				9	.27	.24	.27	.24	.26	.24						
85	0	0				10	.25	.22	.25	.22	.25	.22						
90	0	0																

**NOTES:**

- 1 For electrical characteristics, refer to Technical Bulletins tab.
- 2 Tested to current IES and NEMA standards under stabilized laboratory conditions. Various operating factors can cause differences between laboratory data and actual field measurements. Dimensions and specifications are based on the most current available data and are subject to change without notice.
- 3 Consult factory or IES file for other photometric reports.

**DLCF-163**

©2006 Gotham, Rev. 10/07  
DLCF-163

**gotham**  
An **Acuity** Brands Company

GOTHAM ARCHITECTURAL DOWNLIGHTING  
1400 Lester Road Conyers Georgia 30012  
P 800 315 4982 F 770 860 3129  
www.gothamlighting.com

# FEATURES

## FUNCTIONAL

- Push button switches are preset to provide nine color change modes, nine static colors and 12 timing cycle modes.
- LED indicates load status.

## ELECTRICAL

- Pilot current draw: 5ma at 24VDC.
- Operating voltages: 24VDC, low-voltage Class 2.
- Network wiring connections: CAT5, (RJ45) ethernet cable approved.

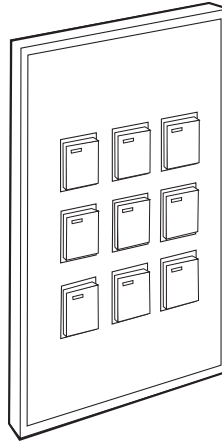
## MECHANICAL

- Mounts to Lithonia SYRS 1GR or Steel City 52C13 one gang plaster ring attached to a ground 4" square, 2-1/2" deep outlet box or to a grounded Lithonia SQRS 1 GB or Steel City GW-125-G one gang masonry box (1-7/8" minimum inside width, 2-1/2" inside depth). Use of tile rings, shallow, narrow or ungrounded boxes can damage system.
- Faceplate held to frame by magnetic strips.

Type

Catalog number

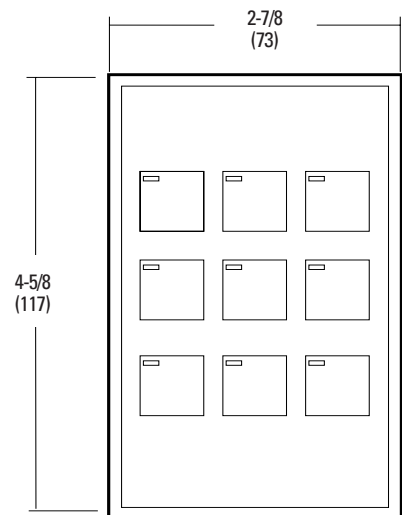
.....  
 .....



## System Accessories

# LFVRS

## Digital Remote Station



All dimensions are inches (millimeters).

# ORDERING INFORMATION

Example: **LFVRS BJ4**

Choose the boldface catalog nomenclature that best suits your needs and write it on the appropriate line. Order accessories as separate catalog number (shipped separately).

## LFVRS

Series	Finish
<b>LFVRS</b>	<b>BJ4</b> Brushed stainless, black frame and buttons
	<b>BA4</b> Brushed aluminum, black frame and buttons
	<b>BL4</b> Painted black, black frame and buttons
	<b>WC2</b> Painted white, white frame and buttons
	<b>IE3</b> Painted ivory, ivory frame and buttons

## Accessories

Order as separate catalog numbers.

- SYRS 1GR** Plaster ring, mounts to 4" box (by others)
- LSA CAT5** Plenum rated network cable. Length must be specified (25ft or 50ft). Ex: LSA CAT5 25FT