

FEATURES

OPTICAL SYSTEM

- Self-flanged, matte-diffuse high-impact polymer finishing trim with a durable, proprietary vapor deposition finish.
- Patented Bounding Ray™ Optical Principle design (U.S. Patent No. 5,800,050) provides lamp before lamp image and smooth transition from top of the reflector to bottom.
- One piece trim eliminates mitered flange corners and inside corner gaps.
- Upper reflector is painted a highly reflective matte white providing diffuse, even light with high efficiency.
- Dual kicker design along with proprietary Gotham spread lens delivers a uniform distribution of light to the wall.

MECHANICAL SYSTEM

- 16-gauge painted steel mounting/plaster frame accommodates up to 1-1/2" thick ceiling materials.
- Patent-pending adjustable aperture allows 1/4" adjustments in all directions and up to 5° of rotation allowing post-installation adjustments to ensure trim to trim alignment.
- 16-gauge galvanized steel mounting bars with continuous 4" vertical adjustments are shipped pre-installed. Post installation adjustment possible without the use of tools from above or below ceiling.
- Secondary housing adjustment system for precise, final ceiling to flange alignment.
- Galvanized steel junction box with hinged access covers and spring latch. Three combination 1/2"-3/4" and two 1/2" knockouts for straight-through conduit runs. Capacity: 8 (4 in, 4 out) No. 12 AWG conductors rated for 90°C.

ELECTRICAL SYSTEM

- Horizontally-mounted four-pin, positive-latch, thermo-plastic socket.
- Class P, thermally-protected, high power factor electronic ballast mounted to the junction box.

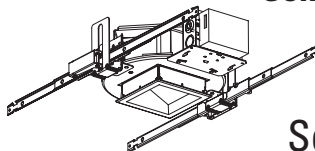
LISTING

- Fixtures are UL Listed for thru-branch wiring, Non-IC recessed mounting and damp locations. Listed and labeled to comply with Canadian Standards.

Type

Catalog number

.....

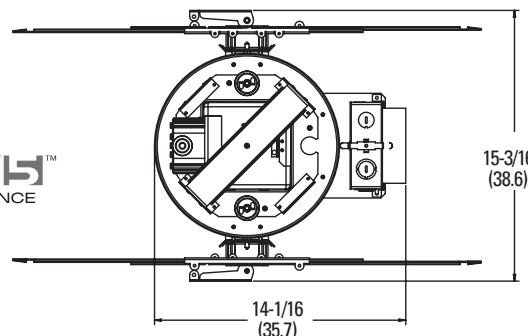


Compact Fluorescent Downlights

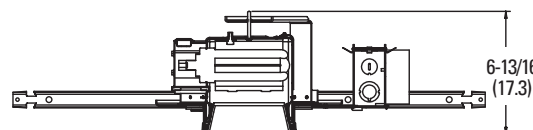
4" SQFW

Square Lensed Wallwash Triple-Tube Lamp

SIMPLY5™
LIGHTING INTELLIGENCE



Aperture: 4-1/2 (11.4)
 Ceiling Opening: 5-1/8 (13.0)
 Overlap Trim: 5-3/4 (14.6)



All dimensions are inches (centimeters)

ORDERING INFORMATION

Example: **SQFW 1/32TRT 4AR MVOLT**

Choose the boldface catalog nomenclature that best suits your needs and write it on the appropriate line.

SQFW

Series	Wattage/Lamp	Aperture/Trim color	Finish	Ballast ²	Options
SQFW	1/18TRT 1/26TRT 1/32TRT	4AR Clear 4DSR Stepped	LD Matte-diffuse	(blank) Electronic ballast (standard) ADEZ³ Advance Mark 10 [®] electronic dimming ballast. Minimum dimming level 5% DMHL⁴ Lutron Compact SE™ electronic dimming ballast. Minimum dimming level 5% S5⁴ SIMPLY5™ system ballast	WLP 3500 [°] K Lamp (shipped separately) LRC⁵ Provides compatibility with Lithonia Reloc [®] System. Lithonia Reloc System can be installed less this option with connectors provided by others. Access above ceiling required ELR⁶ Emergency battery pack. Remote test switch provided ELRSD⁶ Emergency battery pack with self-diagnostics. Remote test switch provided GMF⁷ Single, slow blow fuse GLR⁷ Single, fast blow fuse CP Chicago Plenum BDP⁸ Ballast disconnect plug HW Hardwire for S5 system; replaces Reloc
				Voltage	
				MVOLT¹	
				120	
				277	
				347	

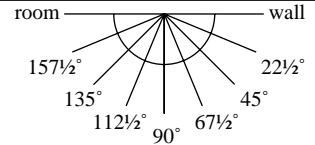
NOTES

- 1 Multi-volt electronic ballast capable of operating on any line voltage from 120V through 277V, 50 or 60HZ.
- 2 For additional ballast types, refer to Technical Bulletins tab.
- 3 Available with 120V or 277V only.
- 4 SIMPLY5™ includes 9' S5 SSC Reloc wiring system. Specify voltage as 120V or 277V unless HW (hardwire) is ordered. Not available in 18W. See simply5.net for more information.
- 5 For compatible Reloc systems, refer to Technical Bulletins tab.
- 6 For dimensional changes, refer to Technical Bulletins tab.
- 7 Not available with MVOLT. Must specify voltage.
- 8 Meets codes that require in-fixture disconnect.

4" SQFW Square Lensed Wallwash

TECHNICAL INFORMATION

Footcandle values are initial and tables are based on minimum of six units. For fixture-to-wall distance other than those shown, use maximum of one-to-one spacing (distance between fixtures not more than distance to wall) for best results.



Fixture/lamp	Candlepower data									Footcandle values									
	Vertical Angle	Plane Angle								3 ft. from wall on 3 ft. centers			3 ft. from wall on 4 ft. centers						
		Room	Room Side				Wall Side				Room			Wall					
SQFW 1/26TRT 4AR																			
CF26DT/E/IN/835 lamp		Room	157.5°	135°	112.5°	90°	67.5°	45°	22.5°	Wall	1	6	3	6	6	2	6		
1800 rated lumens	0°	404	404	404	404	404	404	404	404	404	2	15	11	15	13	7	13		
Test No. LTL16123	5°	397	398	401	403	407	415	424	429	427	3	15	13	15	13	9	13		
	15°	382	386	383	377	379	407	439	468	471	4	13	13	13	11	9	11		
	25°	340	344	330	307	300	328	403	475	475	5	11	11	11	9	8	9		
	35°	275	275	244	214	201	217	287	352	359	6	10	10	10	7	7	7		
	45°	187	186	152	125	116	120	159	228	277	7	8	8	8	6	6	6		
	55°	97	91	73	56	55	60	80	149	197	8	6	6	6	5	5	5		
	65°	35	31	20	19	20	28	40	78	118	9	5	5	5	4	4	4		
	75°	4	5	4	4	4	6	10	17	27	10	4	4	4	3	3	3		
	85°	1	1	1	1	1	1	0	0	0									
	90°	0	0	0	0	0	0	0	0	0									

Fixture/lamp	Candlepower data									Footcandle values									
	Vertical Angle	Plane Angle								3 ft. from wall on 3 ft. centers			3 ft. from wall on 4 ft. centers						
		Room	Room Side				Wall Side				Room			Wall					
SQFW 1/32TRT 4AR																			
CF32DT/E/IN/835 lamp		Room	157.5°	135°	112.5°	90°	67.5°	45°	22.5°	Wall	1	7	4	7	7	2	7		
2400 rated lumens	0°	477	477	477	477	477	477	477	477	477	2	18	14	18	16	8	16		
Test No. LTL16125	5°	467	466	463	462	465	475	489	501	506	3	18	16	18	16	11	16		
	15°	447	439	423	408	406	437	475	522	555	4	16	15	16	13	11	13		
	25°	397	381	351	327	321	347	423	514	569	5	14	14	14	11	10	11		
	35°	324	300	259	229	216	233	303	375	434	6	12	11	12	9	9	9		
	45°	218	201	162	134	128	133	173	241	338	7	9	9	9	7	7	7		
	55°	111	98	78	63	65	71	92	157	240	8	8	7	8	6	6	6		
	65°	39	33	22	22	24	33	47	82	144	9	6	6	6	5	5	5		
	75°	5	5	5	4	5	7	13	20	36	10	5	5	5	4	4	4		
	85°	1	1	1	1	1	1	1	1	0									
	90°	0	0	0	0	0	0	0	0	0									

Fixture/lamp	Candlepower data									Footcandle values									
	Vertical Angle	Plane Angle								3 ft. from wall on 3 ft. centers			3 ft. from wall on 4 ft. centers						
		Room	Room Side				Wall Side				Room			Wall					
SQFW 1/26TRT 4DSR																			
CF26DT/E/IN/835 lamp		Room	157.5°	135°	112.5°	90°	67.5°	45°	22.5°	Wall	1	7	4	7	7	2	7		
1800 rated lumens	0°	477	477	477	477	477	477	477	477	477	2	18	14	18	16	8	16		
Test No. LTL16124	5°	467	466	463	462	465	475	489	501	506	3	18	16	18	16	11	16		
	15°	447	439	423	408	406	437	475	522	555	4	16	15	16	13	11	13		
	25°	397	381	351	327	321	347	423	514	569	5	14	14	14	11	10	11		
	35°	324	300	259	229	216	233	303	375	434	6	12	11	12	9	9	9		
	45°	218	201	162	134	128	133	173	241	338	7	9	9	9	7	7	7		
	55°	111	98	78	63	65	71	92	157	240	8	8	7	8	6	6	6		
	65°	39	33	22	22	24	33	47	82	144	9	6	6	6	5	5	5		
	75°	5	5	5	4	5	7	13	20	36	10	5	5	5	4	4	4		
	85°	1	1	1	1	1	1	1	1	0									
	90°	0	0	0	0	0	0	0	0	0									

Fixture/lamp	Candlepower data									Footcandle values									
	Vertical Angle	Plane Angle								3 ft. from wall on 3 ft. centers			3 ft. from wall on 4 ft. centers						
		Room	Room Side				Wall Side				Room			Wall					
SQFW 1/32TRT 4DSR																			
CF32DT/E/IN/835 lamp		Room	157.5°	135°	112.5°	90°	67.5°	45°	22.5°	Wall	1	10	7	10	9	4	9		
2400 rated lumens	0°	389	389	389	389	389	389	389	389	389	2	20	17	20	17	10	17		
Test No. LTL16126	5°	371	371	370	372	379	393	407	419	424	3	20	18	20	17	13	17		
	15°	361	353	341	333	343	382	427	468	497	4	16	16	16	13	12	13		
	25°	343	328	297	272	277	322	400	465	497	5	13	13	13	10	10	10		
	35°	311	290	237	202	196	231	296	357	399	6	11	11	11	8	8	8		
	45°	246	215	167	136	128	142	189	260	348	7	9	9	9	7	7	7		
	55°	185	132	100	80	73	89	112	184	254	8	7	7	7	5	5	5		
	65°	147	87	49	36	33	52	65	108	163	9	6	6	6	4	4	4		
	75°	68	41	22	10	10	18	25	35	55	10	5	5	5	4	4	4		
	85°	5	3	2	2	2	2	2	3	5									
	90°	0	0	0	0	0	0	0	0	0									

NOTES:
 1. For electrical characteristics consult Technical Bulletins tab.
 2. Tested to current IES and NEMA standards under stabilized laboratory conditions. Various operating factors can cause differences between laboratory data and actual field measurements. Dimensions and specifications are based on the most current available data and are subject to change without notice.