

FEATURES

OPTICAL SYSTEM

- Self-flanged, matte-diffuse high-impact polymer finishing trim with a durable, proprietary vapor deposition finish.
- Patented Bounding Ray™ Optical Principle design (U.S. Patent No. 5,800,050) provides lamp before lamp image and smooth transition from top of the reflector to bottom.
- One piece trim eliminates mitered flange corners and inside corner gaps.
- Upper reflector is painted a highly reflective matte white providing diffuse, even light with high efficiency.
- Dual kicker design along with proprietary Gotham spread lens delivers a uniform distribution of light to the wall.

MECHANICAL SYSTEM

- 16-gauge painted steel mounting/plaster frame accommodates up to 1-1/2" thick ceiling materials.
- Patent-pending adjustable aperture allows 1/4" adjustments in all directions and up to 5° of rotation allowing post-installation adjustments to ensure trim to trim alignment.
- 16-gauge galvanized steel mounting bars with continuous 4" vertical adjustments are shipped pre-installed. Post installation adjustment possible without the use of tools from above or below ceiling.
- Secondary housing adjustment system for precise, final ceiling to flange alignment.
- Galvanized steel junction box with hinged access covers and spring latch. Three combination 1/2"-3/4" and two 1/2" knockouts for straight-through conduit runs. Capacity: 8 (4 in, 4 out) No. 12 AWG conductors rated for 90°C.

ELECTRICAL SYSTEM

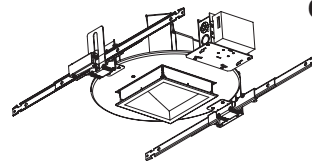
- Horizontally-mounted, four-pin, positive-latch, thermo-plastic socket.
- Class P, thermally-protected, high power factor electronic ballast mounted to the junction box.

LISTING

- Fixtures are UL Listed for thru-branch wiring, Non-IC recessed mounting and damp locations. Listed and labeled to comply with Canadian Standards.

Type

Catalog number

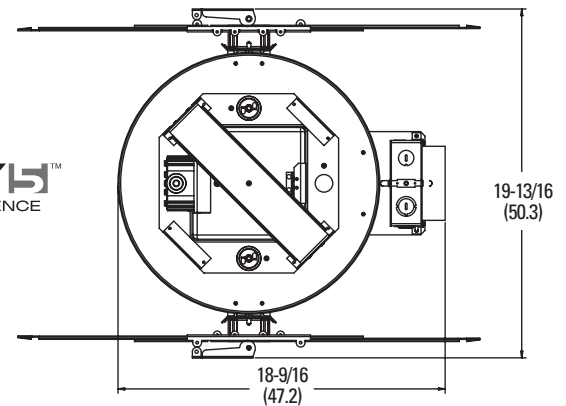


Compact Fluorescent Downlights

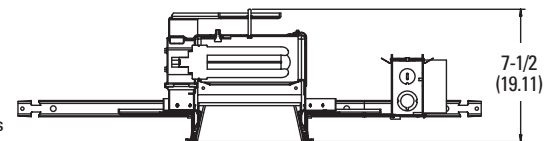
6" SQFW

Square Lensed Wallwash Double Twin-Tube or Triple Tube Lamp

SIMPLY5™
LIGHTING INTELLIGENCE



Aperture: 6 (15.2)
Ceiling Opening: 6-5/8 (16.8)
Overlap Trim: 7-3/16 (18.3)



All dimensions are inches (centimeters)

ORDERING INFORMATION

Example: **SQFW 1/32TRT 6AR MVOLT**

Choose the boldface catalog nomenclature that best suits your needs and write it on the appropriate line.

SQFW

Series	Wattage/Lamp	Aperture/Trim color	Finish	Ballast ³	Options
SQFW	1/18DTT¹ 1/26DTT¹ 1/18TRT 1/26TRT 1/32TRT 1/42TRT	6AR Clear 6DSR Stepped	LD Matte-diffuse	(blank) Electronic ballast (standard) ADEZ⁴ Advance Mark 10 [®] electronic dimming ballast. Minimum dimming level 5% DMHL⁴ Lutron Compact SE™ electronic dimming ballast. Minimum dimming level 5% S5⁵ SIMPLY5™ system ballast	WLP 3500° K Lamp (shipped separately) LRC⁶ Provides compatibility with Lithonia Reloc [®] System. Lithonia Reloc System can be installed less this option with connectors provided by others. Access above ceiling required ELR⁷ Emergency battery pack. Remote test switch provided ELRSD⁷ Emergency battery pack with self-diagnostics. Remote test switch provided GMF⁸ Single, slow blow fuse GLR⁸ Single, fast blow fuse CP Chicago Plenum BDP⁹ Ballast disconnect plug HW Hardwire for S5 system; replaces Reloc
				Voltage MVOLT² 120 277 347	

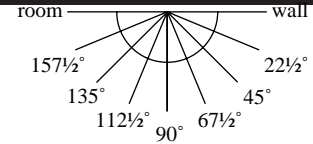
NOTES

- 1 Requires 4-pin lamp. Ships as TRT fixture.
- 2 Multi-volt electronic ballast capable of operating on any line voltage from 120V through 277V, 50 or 60HZ.
- 3 For additional ballast types, refer to Technical Bulletins tab.
- 4 Available with 120V or 277V only.
- 5 SIMPLY5™ includes 9' S5 SSC Reloc wiring system. Specify voltage as 120V or 277V unless HW (hardwire) is ordered. Not available in 18W. See simply5.net for more information.
- 6 For compatible Reloc systems, refer to Technical Bulletins tab.
- 7 For dimensional changes, refer to Technical Bulletins tab.
- 8 Not available with MVOLT. Must specify voltage.
- 9 Meets codes that require in-fixture disconnect.

6" SQFW Square Lensed Wallwash

TECHNICAL INFORMATION

Footcandle values are initial and tables are based on minimum of six units. For fixture-to-wall distance other than those shown, use maximum of one- to-one spacing (distance between fixtures not more than distance to wall) for best results.



Fixture/lamp	Candlepower data										Footcandle values						
	Vertical Angle	Plane Angle									3 ft. from wall on 3 ft. centers			3 ft. from wall on 4 ft. centers			
		Room Side					Wall Side										
	Room	157.5°	135°	112.5°	90°	67.5°	45°	22.5°	Wall								
SQFW 1/32TRT 6AR																	
CF32DT/E/IN/835 lamp	0°	638	638	638	638	638	638	638	638	638	1	13	7	13	12	4	12
2400 rated lumens	5°	612	615	623	633	645	663	678	686	684	2	23	18	23	20	11	20
Test No. LTL16134	15°	569	576	576	589	616	665	718	755	752	3	23	22	23	20	15	20
	25°	468	492	516	488	491	557	669	741	731	4	21	21	21	17	15	17
	35°	342	367	369	336	315	363	501	613	591	5	18	19	18	14	14	14
	45°	215	233	218	186	171	185	308	412	423	6	15	15	15	11	11	11
	55°	126	125	102	80	74	95	146	270	302	7	12	12	12	9	9	9
	65°	71	47	29	26	27	43	67	149	201	8	10	10	10	7	7	7
	75°	4	5	5	4	6	11	22	50	74	9	8	8	8	6	6	6
	85°	1	1	1	1	1	1	1	0	0	10	6	6	6	5	5	5
	90°	0	0	0	0	0	0	0	0	0							
SQFW 1/42TRT 6AR																	
CF42DT/E/IN/835 lamp	0°	718	718	718	718	718	718	718	718	718	1	14	8	14	13	4	13
3200 rated lumens	5°	684	693	700	709	721	739	751	759	757	2	25	20	25	23	12	23
Test No. LTL16136	15°	639	649	637	627	642	688	758	823	828	3	25	23	25	22	16	21
	25°	534	553	538	495	488	542	660	784	808	4	23	23	23	19	16	19
	35°	385	398	378	339	310	352	481	611	647	5	20	20	20	16	15	16
	45°	249	248	222	189	177	186	288	395	468	6	16	16	16	13	12	13
	55°	148	136	107	85	81	100	137	256	340	7	13	13	13	10	10	10
	65°	83	52	33	29	30	48	71	146	232	8	11	11	11	8	8	8
	75°	4	5	5	5	7	12	24	47	84	9	9	9	9	7	7	7
	85°	1	1	1	1	1	1	1	0	0	10	7	7	7	5	5	5
	90°	0	0	0	0	0	0	0	0	0							
SQFW 1/32TRT 6DSR																	
CF32DT/E/IN/835 lamp	0°	522	522	522	522	522	522	522	522	522	1	14	9	14	13	5	13
2400 rated lumens	5°	490	493	505	520	536	555	570	580	578	2	24	20	24	21	13	21
Test No. LTL16135	15°	430	446	468	500	543	607	658	677	662	3	24	23	24	20	16	20
	25°	365	389	413	415	444	534	641	695	656	4	21	21	21	17	15	17
	35°	320	343	319	289	292	363	490	595	543	5	18	18	18	14	13	14
	45°	237	268	220	171	167	190	310	422	410	6	14	14	14	11	11	11
	55°	123	147	121	88	86	103	159	287	304	7	11	11	11	9	9	9
	65°	73	70	46	36	39	58	79	162	202	8	9	9	9	7	7	7
	75°	58	38	20	12	13	23	33	61	82	9	7	7	7	6	6	6
	85°	9	7	5	4	3	4	4	4	6	10	6	6	6	5	5	5
	90°	0	0	0	0	0	0	0	0	0							
SQFW 1/42TRT 6DSR																	
CF42DT/E/IN/835 lamp	0°	608	608	608	608	608	608	608	608	608	1	16	10	16	15	6	15
3200 rated lumens	5°	570	572	581	595	613	633	653	665	667	2	27	23	27	24	14	24
Test No. LTL16137	15°	504	510	521	538	569	637	707	755	758	3	27	25	27	22	17	22
	25°	441	450	435	418	441	522	640	751	756	4	24	24	24	19	17	19
	35°	376	381	330	292	290	355	479	602	618	5	20	20	20	15	15	15
	45°	273	276	224	180	179	197	302	412	470	6	16	16	16	12	12	12
	55°	136	143	125	97	97	115	159	279	351	7	13	13	13	10	10	10
	65°	85	70	51	41	44	66	89	165	241	8	10	10	10	8	8	8
	75°	68	39	23	13	14	25	39	62	97	9	8	8	8	6	6	6
	85°	9	7	5	4	3	4	4	5	7	10	7	7	7	5	5	5
	90°	0	0	0	0	0	0	0	0	0							

NOTES:
 1. For electrical characteristics consult Technical Bulletins tab.
 2. Tested to current IES and NEMA standards under stabilized laboratory conditions. Various operating factors can cause differences between laboratory data and actual field measurements. Dimensions and specifications are based on the most current available data and are subject to change without notice.