

# FEATURES

## OPTICAL SYSTEM

- Self-flanged, matte-diffuse high-impact polymer finishing trim with a durable, proprietary vapor deposition finish.
- Patented Bounding Ray™ Optical Principle design (U.S. Patent No. 5,800,050) provides lamp before lamp image and smooth transition from top of the reflector to bottom.
- One piece trim eliminates mitered flange corners and inside corner gaps.
- Upper reflector is painted a highly reflective matte white providing diffuse, even light with high efficiency.
- Dual kicker design along with proprietary Gotham spread lens delivers a uniform distribution of light to the wall.

## MECHANICAL SYSTEM

- 16-gauge painted steel mounting/plaster frame accommodates up to 1-1/2" thick ceiling materials.
- Patent pending adjustable aperture allows 1/4" adjustments in all directions and up to 5° of rotation allowing post-installation adjustments to ensure trim to trim alignment.
- 16-gauge galvanized steel mounting bars with continuous 4" vertical adjustments are shipped pre-installed. Post installation adjustment possible without the use of tools from above or below ceiling.
- Secondary housing adjustment system for precise, final ceiling to flange alignment.
- Galvanized steel junction box with hinged access covers and spring latch. Three combination 1/2"-3/4" and one 1/2" knockout for straight-through conduit runs. Capacity: 8 (4 in, 4 out) No. 12 AWG conductors rated for 90°C.

## ELECTRICAL SYSTEM

- Medium-base porcelain socket with nickel-plated screw shell.
- Pre-wired, electronic, 120 or 277V ballast module is standard. Module can be attached before or after mounting of mounting/plaster frame.
- Thermally-activated insulation detector.

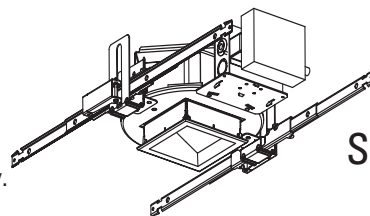
## LISTING

- Fixtures are UL Listed for thru-branch wiring, Non-IC recessed mounting and damp locations. Listed and labeled to comply with Canadian Standards.

Type

Catalog number

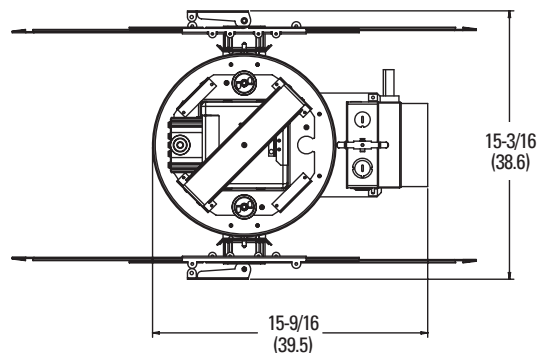
.....  
 .....



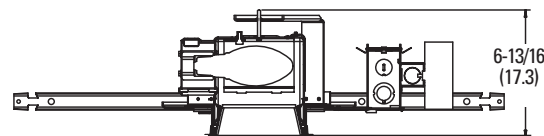
HID Downlights

# 4" SQHZW

Square Lensed Wallwash  
ED17 Lamp



Aperture: 4-1/2 (11.4)  
 Ceiling Opening: 5-1/8 (13.0)  
 Overlap Trim: 5-3/4 (14.6)



All dimensions  
are inches  
(centimeters)

# ORDERING INFORMATION

Example: **SQHZW 50M 4AR 120**

Choose the boldface catalog nomenclature that best suits your needs and write it on the appropriate line.

## SQHZW

Series	Wattage/Lamp <sup>1</sup>	Aperture/Trim Color	Finish	Voltage	Ballast	Options
<b>SQHZW</b>	Metal Halide (ED17) <b>50M</b> <b>70M</b> Color Corrected Metal Halide (ED17) <b>50MHC</b> <b>70MHC</b>	<b>4AR</b> Clear <b>4DSR</b> Stepped	(blank) Semi-specular <b>LD</b> Matte-diffuse	<b>120</b> <b>277</b> <b>347<sup>2</sup></b>	(blank) Electronic ballast <b>EMB</b> Electro-magnetic ballast	<b>SF</b> Single fuse <b>WLP</b> 3000°K Lamp (shipped separately) <b>LRC<sup>3</sup></b> Provides compatibility with Lithonia Reloc® System. Lithonia Reloc System can be installed less this option with connectors provided by others. Access above ceiling required <b>CP</b> Chicago Plenum

## NOTES

- 1 Recommended for use with coated lamps. Open rated lamps required.
- 2 Available with 70W electro-magnetic ballast only.
- 3 For compatible Reloc Systems, refer to Technical Bulletins tab.



GOTHAM ARCHITECTURAL DOWNLIGHTING  
 1400 Lester Road Conyers Georgia 30012  
 P 800 315 4982 F 770 860 3129  
 www.gothamlighting.com

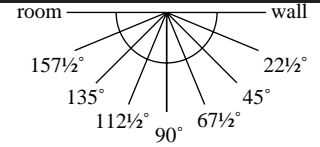
SQHZW 4

DHID-363

# 4" SQHZW Square Lensed Wallwash

## TECHNICAL INFORMATION

Footcandle values are initial and tables are based on minimum of six units. For fixture-to-wall distance other than those shown, use maximum of one-to-one spacing (distance between fixtures not more than distance to wall) for best results.



Fixture/lamp	Candlepower data										Footcandle values						
	Vertical Angle	Room Side					Wall Side					3 ft. from wall on 3 ft. centers			3 ft. from wall on 4 ft. centers		
		Room	157.5°	135°	112.5°	90°	67.5°	45°	22.5°	Wall	1	2	3	4	5	6	
<b>SQHZW 50M 4AR</b>																	
MH50/C/U/MED lamp	0°	649	649	649	649	649	649	649	649	649	649	649	649	649	649		
3200 rated lumens	5°	616	623	623	627	635	646	656	673	684	2	21	15	21	19	9	19
Test No. LTL16147	15°	572	566	558	551	561	600	663	739	769	3	22	20	22	19	12	19
	25°	496	486	453	409	394	447	608	687	703	4	19	19	19	16	13	16
	35°	400	379	310	233	215	235	353	509	545	5	16	16	16	12	12	12
	45°	278	251	170	133	129	133	167	364	424	6	13	14	13	10	10	10
	55°	155	125	85	72	70	79	92	213	296	7	11	11	11	8	9	8
	65°	58	44	29	24	27	34	47	87	153	8	9	9	9	7	7	7
	75°	8	8	7	6	6	8	11	14	23	9	8	7	8	6	6	6
	85°	1	1	2	2	1	1	1	0	0	10	6	6	6	5	5	5
	90°	0	0	0	0	0	0	0	0	0							

Fixture/lamp	Candlepower data						Footcandle values						
	Vertical Angle	Room Side				Wall Side		3 ft. from wall on 3 ft. centers			3 ft. from wall on 4 ft. centers		
		Room	90°	67.5°	45°	22.5°	Wall	1	2	3	4	5	6
<b>SQHZW 70M 4AR</b>													
MP70/C/U/MED lamp	0°	803	803	803	803	803	1	10	5	10	9	3	9
4700 rated lumens	5°	800	814	829	840	840	2	31	23	31	27	14	27
Test No. LTL16319	15°	734	787	865	932	950	3	31	30	31	27	19	27
	25°	543	625	821	926	942	4	26	28	26	22	19	22
	35°	324	362	523	709	744	5	22	23	22	17	17	17
	45°	198	206	284	509	591	6	19	19	19	14	14	14
	55°	107	123	161	303	421	7	15	16	15	12	12	12
	65°	40	58	84	132	225	8	13	13	13	10	10	10
	75°	11	15	24	27	49	9	10	10	10	8	8	8
	85°	2	2	2	2	1	10	8	8	8	6	6	6
	90°	0	0	0	0	0							

Fixture/lamp	Candlepower data										Footcandle values						
	Vertical Angle	Room Side					Wall Side					3 ft. from wall on 3 ft. centers			3 ft. from wall on 4 ft. centers		
		Room	157.5°	135°	112.5°	90°	67.5°	45°	22.5°	Wall	1	2	3	4	5	6	
<b>SQHZW 50M 4DSR</b>																	
MH50/C/U/MED lamp	0°	506	506	506	506	506	506	506	506	506	1	10	7	10	10	4	10
3200 rated lumens	5°	481	482	489	495	505	520	532	541	546	2	24	20	24	21	12	21
Test No. LTL16148	15°	453	450	455	457	475	530	597	642	653	3	23	24	23	20	15	20
	25°	421	418	390	348	345	424	581	623	614	4	19	21	19	15	14	15
	35°	365	364	282	203	194	233	356	502	510	5	15	17	15	12	12	12
	45°	279	257	161	123	122	139	186	406	434	6	13	13	13	10	10	10
	55°	214	137	92	80	76	95	109	260	317	7	11	11	11	8	8	8
	65°	175	80	51	34	36	55	65	124	184	8	9	9	9	7	7	7
	75°	91	43	24	10	11	21	24	34	54	9	7	7	7	5	6	5
	85°	8	4	3	2	2	2	2	3	5	10	6	6	6	4	4	4
	90°	0	0	0	0	0	0	0	0	0							

Fixture/lamp	Candlepower data						Footcandle values						
	Vertical Angle	Room Side				Wall Side		3 ft. from wall on 3 ft. centers			3 ft. from wall on 4 ft. centers		
		Room	90°	67.5°	45°	22.5°	Wall	1	2	3	4	5	6
<b>SQHZW 70M 4DSR</b>													
MP70/C/U/MED lamp	0°	702	702	702	702	702	1	15	9	15	13	5	13
4700 rated lumens	5°	703	721	738	750	753	2	35	29	35	31	17	31
Test No. LTL16320	15°	677	747	834	878	892	3	34	35	34	29	22	29
	25°	527	639	830	882	873	4	28	30	28	22	21	22
	35°	329	392	556	724	728	5	23	24	23	17	18	17
	45°	205	230	324	574	620	6	19	19	19	14	15	14
	55°	119	148	187	371	461	7	15	16	15	12	12	12
	65°	53	84	104	175	261	8	13	13	13	9	10	9
	75°	16	29	37	47	84	9	10	10	10	8	8	8
	85°	3	3	3	3	7	10	8	8	8	6	6	6
	90°	0	0	0	0	0							

NOTES:  
 1. For electrical characteristics consult Technical Bulletins tab.  
 2. Tested to current IES and NEMA standards under stabilized laboratory conditions. Various operating factors can cause differences between laboratory data and actual field measurements. Dimensions and specifications are based on the most current available data and are subject to change without notice.