

FEATURES

OPTICAL SYSTEM

- Reflector - Self-flanged, semi-specular or matte-diffuse reflector. Bounding Ray™ Optical Principle design provides lamp before lamp image and smooth transition from top of reflector to bottom.
- Patent-pending integrated snoot and optical system minimizes lamp striations normally associated with PAR lamps and creates visually pleasing scallops on vertical surfaces.

MECHANICAL SYSTEM

- 16-gauge galvanized steel mounting/plaster frame. Adjustable yoke and tempered steel flat spring utilized to retain optical system. Accommodates up to 1-5/8" thick ceiling with no modifications.
- 16-gauge galvanized steel mounting bars provide continuous vertical and horizontal adjustment and are held in place with tool-less, cam-action, locking brackets. Post installation adjustment possible from above or below ceiling. Shipped pre-installed.
- 16-gauge galvanized steel junction box with hinged access covers. Two combination 1/2"-3/4" and four 1/2" knockouts for straight-through conduit runs. Capacity: 8 (4 in, 4 out) No. 12 AWG conductors rated for 90°C.

ELECTRICAL SYSTEM

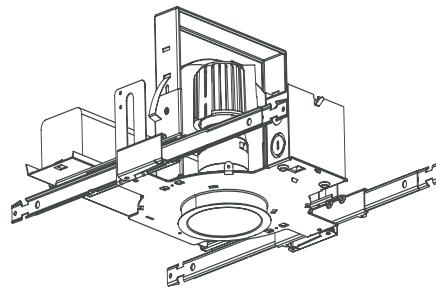
- Die-cast aluminum lampholder housing.
- Medium-base porcelain socket with nickel-plated screw shell.
- Pre-wired, encased-and-potted, 120/277V or 120/347V ballast tray module. Module can be attached before or after installation of mounting/plaster frame.
- Thermally-activated insulation detector.

LISTING

- Fixtures are UL Listed for thru-branch wiring, Non-IC recessed mounting and damp locations. Listed and labeled to comply with Canadian Standards.

Type Catalog number

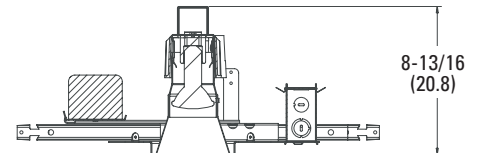
.....



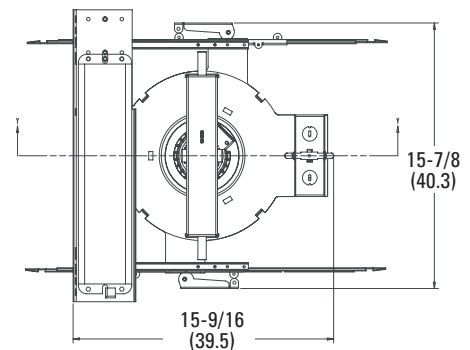
HID Downlights

4" APRH

Open Reflector
PAR20



Aperture: 4-5/16 (10.9)
 Ceiling Opening: 5-1/16 (12.9)
 Overlap Trim: 5-7/16 (13.8)



All dimensions are inches (centimeters)

ORDERING INFORMATION

Example: **APRH P2039MHC 4AR 120**

Choose the boldface catalog nomenclature that best suits your needs and write it on the appropriate line. Order accessories as separate catalog numbers (shipped separately).

APRH		P2039MHC								
Series	Lamp designation	Aperture/Trim color		Finish	Voltage	Ballast	Options			
APRH	P2039MHC 39W PAR20	4AR	Clear	(blank) Semi-specular	120	(blank) Electro-magnetic ballast	SF	Single fuse		
		4BR¹	Black	LD Matte-diffuse	277		TRW	White painted flange		
		4PR	Pewter		347		GSKT	Foam gasketing		
		4UBR	Umber			HEB²	LPSP	Spot lamp (shipped separately)		
		4WTR	Wheat				LPFL	Flood lamp (shipped separately)		
							LRC³	Provides compatibility with Lithonia Reloc® System. Lithonia Reloc System can be installed less this option with connectors provided by others. Access above ceiling required		
							CP	Chicago Plenum		

Accessories

Order as separate catalog number.

SCA4 Sloped Ceiling adapter. Degree of slope must be specified (10D, 15D, 20D, 25D, 30D). EX: SCA4 **10D**.

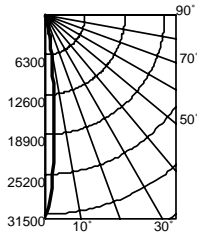
NOTES

- 1 Not available with finishes.
- 2 Available in 120V or 277V only.
- 3 For compatible Reloc systems, refer to Technical Bulletins tab.

4" APRH Open Reflector

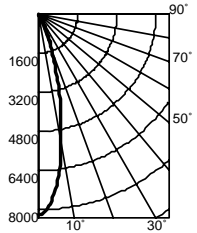
Distribution curve Distribution data Output data Coefficient of utilization Single luminaire data 30" above floor

APRH 4AR, 35W CDM35/830/PAR20/M/SP lamp, 0.2 spacing criteria, 2300 rated lumens, Test no. LTL12897



Distribution data		Output data		Coefficient of utilization						Single luminaire data 30" above floor							
cp	Lumens	Zone	Lumens % Lamp	pf	20%						50% beam - 9.8' 10% beam - 23.9'						
				pc	80%		70%		50%		Initial FC						
					50%		30%		50%		30%		50%		30%		
					0	105	105	102	102	98	98	Mounting Height	Center Beam	Diameter	FC	Diameter	FC
0°	31617	0° - 30°	1939 84.3	1	100	98	98	97	95	94	8	1045.2	0.9	522.3	2.3	104.5	
5°	15528	0° - 40°	2000 86.9	2	96	94	95	92	92	90	10	562.1	1.3	280.9	3.2	56.2	
15°	1888	0° - 60°	2020 87.8	3	93	90	91	89	89	87	12	350.3	1.6	175.1	4.0	35.0	
25°	469	0° - 90°	2025 88.0	4	90	87	89	86	87	85	14	239.1	2.0	119.5	4.9	23.9	
35°	78	90° - 180°	0 0.0	5	87	84	86	83	85	83	16	173.5	2.3	86.7	5.7	17.3	
45°	22	0° - 180°	2025 *88.0	6	85	82	84	81	83	81							
55°	3		*Total Efficiency	7	83	80	82	79	81	79							
65°	2			8	81	78	81	78	80	77							
75°	1			9	79	76	79	76	78	76							
85°	2			10	78	75	77	75	77	74							
90°	0																

APRH 4AR, 35W CDM35/830/PAR20/M/FL lamp, 0.4 spacing criteria, 2300 rated lumens, Test no. LTL12898



Distribution data		Output data		Coefficient of utilization						Single luminaire data 30" above floor							
cp	Lumens	Zone	Lumens % Lamp	pf	20%						50% beam - 24.4' 10% beam - 46.1'						
				pc	80%		70%		50%		Initial FC						
					50%		30%		50%		30%		50%		30%		
					0 <th>103 <th>103 <th>101 <th>101 <th>96 <th>96 <th>Mounting Height</th> <th>Center Beam</th> <th>Diameter</th> <th>FC</th> <th>Diameter</th> <th>FC</th> </th></th></th></th></th></th>	103 <th>103 <th>101 <th>101 <th>96 <th>96 <th>Mounting Height</th> <th>Center Beam</th> <th>Diameter</th> <th>FC</th> <th>Diameter</th> <th>FC</th> </th></th></th></th></th>	103 <th>101 <th>101 <th>96 <th>96 <th>Mounting Height</th> <th>Center Beam</th> <th>Diameter</th> <th>FC</th> <th>Diameter</th> <th>FC</th> </th></th></th></th>	101 <th>101 <th>96 <th>96 <th>Mounting Height</th> <th>Center Beam</th> <th>Diameter</th> <th>FC</th> <th>Diameter</th> <th>FC</th> </th></th></th>	101 <th>96 <th>96 <th>Mounting Height</th> <th>Center Beam</th> <th>Diameter</th> <th>FC</th> <th>Diameter</th> <th>FC</th> </th></th>	96 <th>96 <th>Mounting Height</th> <th>Center Beam</th> <th>Diameter</th> <th>FC</th> <th>Diameter</th> <th>FC</th> </th>	96 <th>Mounting Height</th> <th>Center Beam</th> <th>Diameter</th> <th>FC</th> <th>Diameter</th> <th>FC</th>	Mounting Height	Center Beam	Diameter	FC	Diameter	FC
0°	8159	0° - 30°	1888 82.1	1	98	96	96	95	93	91	8	269.7	2.4	134.8	4.7	27.0	
5°	7365	0° - 40°	1976 85.9	2	93	90	92	89	89	87	10	145.0	3.2	72.5	6.4	14.5	
15°	3198	0° - 60°	1996 86.8	3	89	86	88	85	86	83	12	90.4	4.1	45.2	8.1	9.0	
25°	776	0° - 90°	1996 86.8	4	85	82	84	81	83	80	14	61.7	5.0	30.8	9.8	6.2	
35°	120	90° - 180°	0 0.0	5	82	78	81	78	80	77	16	44.8	5.8	22.4	11.5	4.5	
45°	21	0° - 180°	1996 *86.8	6	79	75	78	75	77	74							
55°	1		*Total Efficiency	7	76	73	76	72	75	72							
65°	0			8	74	70	73	70	73	69							
75°	0			9	72	68	71	68	70	67							
85°	1			10	69	66	69	66	68	65							
90°	0																

NOTES:

- 1 For electrical characteristics refer to the Technical Bulletins tab.
- 2 Tested to current IES and NEMA standards under stabilized laboratory conditions. Various operating factors can cause differences between laboratory data and actual field measurements. Dimensions and specifications are based on the most current available data and are subject to change without notice.

DHID-655

©2007 Gotham Rev. 5/07
DHID-655.p65



GOTHAM ARCHITECTURAL DOWNLIGHTING
A DIVISION OF ACUITY LIGHTING GROUP, INC.
1400 Lester Road Conyers Georgia 30012
P 800 315 4982 F 770 860 3129
www.gothamlighting.com