

FEATURES

OPTICAL SYSTEM

- Reflector - Self-flanged, semi-specular or matte-diffuse reflector. Bounding Ray™ Optical Principle design provides lamp before lamp image and smooth transition from top of reflector to bottom.
- Patent-pending integrated snoot and optical system minimizes lamp striations normally associated with PAR lamps and creates visually pleasing scallops on vertical surfaces.

MECHANICAL SYSTEM

- 16-gauge galvanized steel mounting/plaster frame. Adjustable yoke and tempered steel flat spring utilized to retain optical system. Accommodates up to 1-5/8" thick ceiling with no modifications.
- 16-gauge galvanized steel mounting bars provide continuous vertical and horizontal adjustment and are held in place with tool-less, cam-action, locking brackets. Post installation adjustment possible from above or below ceiling. Shipped pre-installed.
- 16-gauge galvanized steel junction box with hinged access covers. Two combination 1/2"-3/4" and four 1/2" knockouts for straight-through conduit runs. Capacity: 8 (4 in, 4 out) No. 12 AWG conductors rated for 90°C.

ELECTRICAL SYSTEM

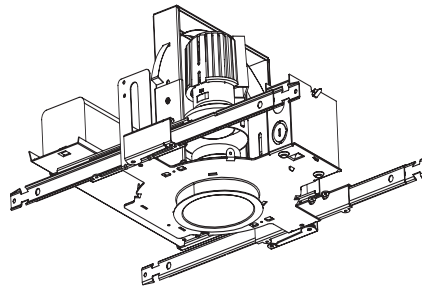
- Die-cast aluminum lampholder housing.
- Medium base porcelain socket with nickel-plated screw shell.
- Pre-wired, encased-and-potted, 120/277V or 120/347V ballast tray module. Module can be attached before or after installation of mounting/plaster frame.
- Thermally-activated insulation detector.

LISTING

- Fixtures are UL Listed for thru-branch wiring, Non-IC recessed mounting and damp locations. Listed and labeled to comply with Canadian Standards.

Type Catalog number

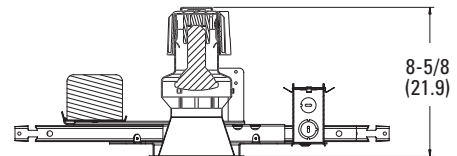
.....



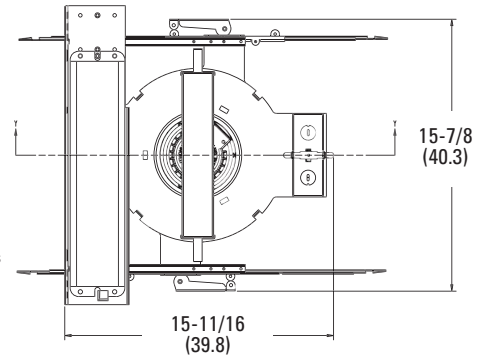
HID Downlights

4" APRH

**Open Reflector
PAR30**



Aperture: 4-5/16 (10.9)
 Ceiling Opening: 5-1/16 (12.9)
 Overlap Trim: 5-7/16 (13.8)



All dimensions are inches (centimeters)

ORDERING INFORMATION

Example: **APRH P3070MHC 4AR 120**

Choose the boldface catalog nomenclature that best suits your needs and write it on the appropriate line. Order accessories as separate catalog numbers (shipped separately).

APRH

Series	Lamp designation	Aperture/Trim color	Finish	Voltage	Ballast	Options
APRH	P3039MHC 39W PAR30	4AR Clear	(blank) Semi-specular	120	(blank) Electro-magnetic ballast	SF Single fuse
	P3070MHC 70W PAR30	4BR¹ Black	LD Matte-diffuse	277	HEB² Electronic ballast	TRW White painted flange
		4PR Pewter		347		GSKT Foam gasketing
		4UBR Umber				LPSP Spot lamp (shipped separately)
		4WTR Wheat				LPFL Flood lamp (shipped separately)
						LRC³ Provides compatibility with Lithonia Reloc® System. Lithonia Reloc System can be installed less this option with connectors provided by others. Access above ceiling required
						CP Chicago Plenum

Accessories

Order as separate catalog number.
SCA4 Sloped Ceiling adapter. Degree of slope must be specified (10D, 15D, 20D, 25D, 30D). EX: **SCA4 10D**.

NOTES

- 1 Not available with finishes.
- 2 Available in 120V or 277V only.
- 3 For compatible Reloc systems, refer to Technical Bulletins tab.

4" APRH Open Reflector

Distribution curve Distribution data Output data Coefficient of utilization Single luminaire data 30" above floor

APRH 4AR, 70W MCP70PAR30LN/U/830/SP lamp, 0.2 spacing criteria, 4400 rated lumens, Test no. LTL12847

Distribution curve	Distribution data		Output data		Coefficient of utilization						Single luminaire data 30" above floor									
	cp	Lumens	Zone	Lumens % Lamp	pf	20%						50% beam - 12.8' 10% beam - 29.2'								
						80%	70%	50%	30%	50%	30%	50%	30%	50%	30%	50%	30%			
	0°	35382		0° - 30°	3071	69.8	0	85	85	83	83	79	79	Initial FC						
	5°	22503	1709	0° - 40°	3107	70.6	1	81	80	79	78	77	76	Mounting Center						
	15°	3628	1093	0° - 60°	3120	70.9									Height	Beam	Diameter	FC	Diameter	FC
	25°	510	269	0° - 90°	3128	71.1	8	78	76	77	75	74	73	10	629.0	1.7	314.5	3.9	62.9	
	35°	55	35	90° - 180°	0	0.0	12	73	70	72	70	71	69	12	392.0	2.1	196.0	4.9	39.2	
	45°	12	11	0° - 180°	3128	*71.1	14	71	68	70	68	69	67	14	267.5	2.6	133.7	6.0	26.7	
	55°	2	2			*Total Efficiency	16	69	67	69	66	68	66	16	194.1	3.0	97.1	7.0	19.4	
	65°	3	4				7	67	65	67	65	66	64							
	75°	2	3				8	66	64	66	63	65	63							
	85°	1	1				9	65	62	64	62	64	62							
	90°	0					10	64	61	63	61	63	61							

APRH 4AR, 70W MCP70PAR30LN/U/830/FL lamp, 0.4 spacing criteria, 4400 rated lumens, Test no. LTL12848

Distribution curve	Distribution data		Output data		Coefficient of utilization						Single luminaire data 30" above floor									
	cp	Lumens	Zone	Lumens % Lamp	pf	20%						50% beam - 24.1' 10% beam - 41.5'								
						80%	70%	50%	30%	50%	30%	50%	30%	50%	30%					
	0°	15602		0° - 30°	3154	71.7	0	88	88	85	85	82	82	Initial FC						
	5°	14360	1257	0° - 40°	3212	73.0	1	83	82	82	80	79	78	Mounting Center						
	15°	5332	1492	0° - 60°	3232	73.4									Height	Beam	Diameter	FC	Diameter	FC
	25°	795	405	0° - 90°	3235	73.5	8	80	77	78	76	76	75	10	515.8	2.4	257.7	4.2	51.6	
	35°	78	58	90° - 180°	0	0.0	12	76	74	75	73	74	72	12	277.4	3.2	138.6	5.7	27.8	
	45°	22	17	0° - 180°	3235	*73.5	14	74	71	73	70	71	69	14	172.9	4.1	86.4	7.2	17.3	
	55°	2	3			*Total Efficiency	16	71	68	71	68	69	67	16	118.0	4.9	59.0	8.7	11.8	
	65°	0	1				6	69	66	68	66	68	65							
	75°	1	1				7	67	64	67	64	66	63							
	85°	1	1				8	65	62	65	62	64	62							
	90°	0					9	63	61	63	60	63	60							
						10	62	59	62	59	61	59								

NOTES:

- 1 For electrical characteristics refer to the Technical Bulletins tab.
- 2 Tested to current IES and NEMA standards under stabilized laboratory conditions. Various operating factors can cause differences between laboratory data and actual field measurements. Dimensions and specifications are based on the most current available data and are subject to change without notice.