

FEATURES

OPTICAL SYSTEM

- Baffle with white painted minimum flange.

MECHANICAL SYSTEM

- 16-gauge galvanized steel mounting/plaster frame. Adjustable yoke and tempered steel flat spring utilized to retain optical system. Accommodates up to 1-5/8" thick ceiling with no modifications.
- 16-gauge galvanized steel mounting bars provide continuous vertical and horizontal adjustment and are held in place with tool-less, cam-action, locking brackets. Post installation adjustment possible from above or below ceiling. Shipped pre-installed.
- 16-gauge galvanized steel junction box with hinged access covers. Two combination 1/2"-3/4" and four 1/2" knockouts for straight-through conduit runs. Capacity: 8 (4 in, 4 out) No. 12 AWG conductors rated for 90°C.

ELECTRICAL SYSTEM

- Die-cast aluminum lampholder housing.
- Medium base porcelain socket with nickel-plated screw shell.
- Pre-wired, encased-and-potted, 120/277V or 120/347V ballast tray module. Module can be attached before or after installation of mounting/plaster frame.
- Thermally-activated insulation detector.

LISTING

- Fixtures are UL Listed for thru-branch wiring, non-IC recessed mounting and damp locations. Listed and labeled to comply with Canadian Standards.

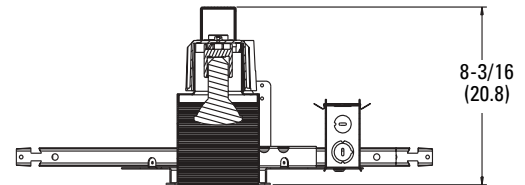
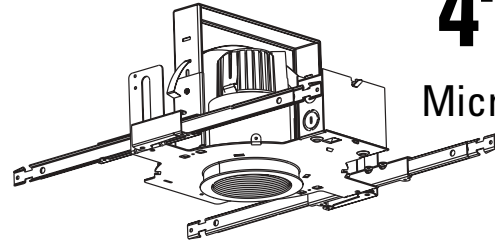
Type Catalog number

.....

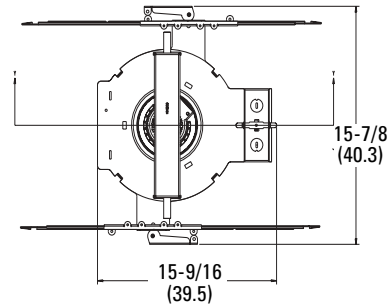
HID Downlights

4" APRH

**Microgroove Baffle
 PAR20 or PAR30**



Aperture: 4-5/16 (10.9)
 Ceiling Opening: 5-1/16 (12.9)
 Overlap Trim: 5-7/16 (13.8)



All dimensions are inches (centimeters).

ORDERING INFORMATION

Example: **APRH P2039MHC 4MB 120**

Choose the boldface catalog nomenclature that best suits your needs and write it on the appropriate line. Order accessories as separate catalog numbers (shipped separately).

APRH

Series	Lamp designation	Aperture/Trim Color	Voltage	Ballast	Options
APRH	P2039MHC 39W PAR20 P3039MHC 39W PAR30 P3070MHC 70W PAR30	4MB Black Baffle 4WB White Baffle	120 277 347	(blank) Electro-magnetic ballast HEB¹ Electronic ballast	LRC² Provides compatibility with Lithonia Reloc® System. Lithonia Reloc System can be installed less this option with connectors provided by others. Access above ceiling required. SF Single Fuse. CP Chicago Plenum. LPFL Flood lamp (shipped separately). LPSP Spot lamp (shipped separately). GSKT Foam gasketing.

NOTES

- 1 Available in 120V or 277V only.
- 2 For compatible Reloc systems, refer to Technical Bulletins tab.

Accessories

- SC4** Sloped Ceiling adaptor. Degree of slope must be specified (10D, 15D, 20D, 25D, 30D). EX: SC4 **10D**.

4" APRH Microgroove Baffle

DHID-657

©2004 Gotham 12/04
DHID-657.p65



GOTHAM ARCHITECTURAL DOWNLIGHTING
A DIVISION OF ACUITY LIGHTING GROUP, INC.
1400 Lester Road Conyers Georgia 30012
P 800 315 4982 F 770 860 3129
www.gothamlighting.com