

# FEATURES

## OPTICAL SYSTEM

- Reflector - Self-flanged, specular or semi-diffuse reflector. Bounding Ray™ Optical Principle design provides lamp before lamp image and smooth transition from top of reflector to bottom.
- Patent-pending integrated snoot and optical system minimizes lamp striations normally associated with PAR lamps and creates visually pleasing scallops on vertical surfaces.

## MECHANICAL SYSTEM

- 16-gauge galvanized steel mounting/plaster frame. Adjustable yoke and tempered steel flat spring utilized to retain optical system. Accommodates up to 1-5/8" thick ceiling with no modifications.
- 16-gauge galvanized steel mounting bars provide continuous vertical and horizontal adjustment and are held in place with tool-less, cam-action, locking brackets. Post installation adjustment possible from above or below ceiling. Shipped pre-installed.
- 16-gauge galvanized steel junction box with hinged access covers. Two combination 1/2"-3/4" and four 1/2" knockouts for straight-through conduit runs. Capacity: 8 (4 in, 4 out) No. 12 AWG conductors rated for 90°C.

## ELECTRICAL SYSTEM

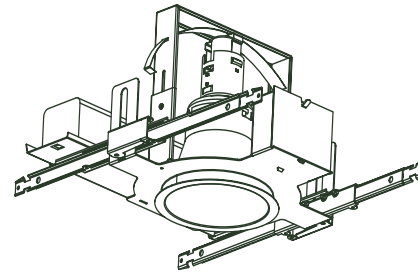
- Die-cast aluminum lampholder housing.
- Medium base porcelain socket with nickel-plated screw shell.
- Pre-wired, encased-and-potted, 120/277V or 120/347V ballast tray module. Module can be attached before or after installation of mounting/plaster frame.
- Thermally-activated insulation detector.

## LISTING

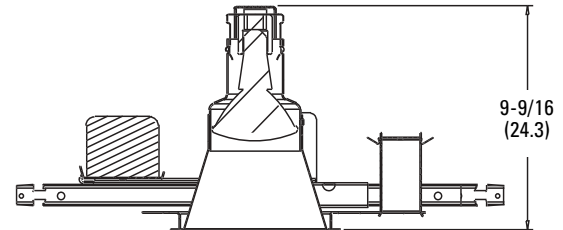
- Fixtures are UL Listed for thru-branch wiring, non-IC recessed mounting and damp locations. Listed and labeled to comply with Canadian Standards.

Type Catalog number

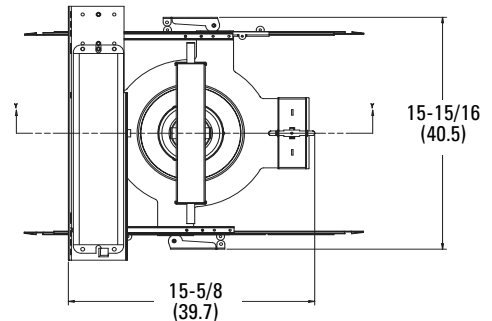
.....  
 .....  
 .....



**HID Downlights**  
**6" APRH**  
 Open Reflector  
 PAR30



Aperture: 6-1/4 (15.9)  
 Ceiling opening: 6-7/8 (17.5)  
 Overlap trim: 7-1/2 (19.1)



All dimensions are inches (centimeters).

# ORDERING INFORMATION

Example: **APRH P3039MHC 6AR 120**

Choose the boldface catalog nomenclature that best suits your needs and write it on the appropriate line. Order accessories as separate catalog numbers (shipped separately).

## APRH

Series	Lamp designation	Aperture/Trim color		Finish	Voltage	Ballast	Options
<b>APRH</b>	<i>Ceramic Metal Halide</i>	<b>6AR</b>	Clear	(blank) Specular low iridescent	<b>120</b>	(blank) Electro-magnetic ballast	<b>TRW</b> White painted flange.
	<b>P3039MHC</b> 39W PAR30	<b>6BR<sup>1</sup></b>	Black	<b>LD</b> Semi-diffuse low iridescent	<b>277</b>	<b>HEB<sup>2</sup></b> Electronic ballast	<b>LRC<sup>3</sup></b> Provides compatibility with Lithonia Reloc® System. Lithonia Reloc System can be installed less this option with connectors provided by others. Access above ceiling required.
	<b>P3070MHC</b> 70W PAR30	<b>6PR</b>	Pewter		<b>347</b>		<b>SF</b> Single Fuse.
		<b>6WTR</b>	Wheat				<b>CP</b> Chicago Plenum.
		<b>6UBR</b>	Umber				<b>LPFL</b> Flood lamp (shipped separately).
							<b>LPSP</b> Spot lamp (shipped separately).
							<b>QRS<sup>4</sup></b> Quartz Restrike System.
							<b>QRSTD<sup>5</sup></b> Quartz Restrike System with Time Delay.
							<b>EC</b> Emergency Circuit.
							<b>GSKT</b> Foam gasketing.

## NOTES

- 1 Not available with LD finish.
- 2 Available in 120V or 277V only.
- 3 For compatible Reloc systems, refer to Technical Bulletins tab.
- 4 Not available with HEB, QRSTD or EC.
- 5 Not available with HEB, QRS or EC.

## Accessories

SC6FL Sloped Ceiling adaptor. Degree of slope must be specified (10D, 15D, 20D, 25D, 30D). EX: SC6FL 10D.

# 6" APRH Open Reflector

**Distribution curve    Distribution data    Output data    Coefficient of utilization    Single luminaire data 30" above floor**

**APRH 6AR, 70W MCP70PAR30LN/U/830FL lamp, 0.4 spacing criteria, 4400 rated lumens, test no. lt12839**

Distribution curve	Distribution data		Output data		Coefficient of utilization						Single luminaire data 30" above floor						
	cp	Lumens	Zone	Lumens % Lamp	pf	20%						50% beam - 21.8" 10% beam - 40.7"					
					pc	80%	70%	50%	50%			30%			10%		
	0°	21893	0° - 30°	4010 91.1	0	112	112	109	109	105	105	Initial FC					
	5°	18944	0° - 40°	4115 93.5	1	106	105	104	103	101	100	Mounting Center					
	15°	6286	0° - 60°	4137 94.0	2	102	99	100	98	97	95	Height	Beam	Diameter	FC	Diameter	FC
	25°	1277	0° - 90°	4141 94.1	3	98	94	96	93	94	92	8	723.7	2.1	361.9	4.1	72.4
	35°	125	90° - 180°	0 0.0	4	94	90	93	90	91	88	10	389.2	2.9	194.6	5.6	38.9
	45°	23	0° - 180°	4141 *94.1	5	91	87	90	87	89	86	12	242.6	3.7	121.3	7.0	24.3
	55°	5	*Total Efficiency		6	88	84	87	84	86	83	14	165.5	4.4	82.8	8.5	16.6
	65°	0			7	85	81	85	81	84	81	16	120.1	5.2	60.1	10.0	12.0
	75°	1			8	83	79	82	79	82	78						
	85°	0			9	81	77	80	77	79	76						
	90°	0			10	78	75	78	75	78	74						

**APRH 6AR, 70W MCP70PAR30LN/U/830/SP lamp, 0.2 spacing criteria, 4400 rated lumens, test no. lt12838**

Distribution curve	Distribution data		Output data		Coefficient of utilization						Single luminaire data 30" above floor						
	cp	Lumens	Zone	Lumens % Lamp	pf	20%						50% beam - 10.5" 10% beam - 26.4"					
					pc	80%	70%	50%	50%			30%			10%		
	0°	54877	0° - 30°	3976 90.4	0	110	110	107	107	103	103	Initial FC					
	5°	29137	0° - 40°	4040 91.8	1	105	103	103	102	99	98	Mounting Center					
	15°	4356	0° - 60°	4055 92.2	2	101	98	99	97	96	95	Height	Beam	Diameter	FC	Diameter	FC
	25°	1009	0° - 90°	4063 92.3	3	97	94	96	93	94	92	8	1814.1	1.0	907.4	2.6	181.4
	35°	73	90° - 180°	0 0.0	4	94	91	93	90	91	89	10	975.6	1.4	488.0	3.5	97.6
	45°	11	0° - 180°	4063 *92.3	5	92	88	91	88	89	87	12	608.1	1.7	304.1	4.5	60.8
	55°	5	*Total Efficiency		6	89	86	89	85	87	85	14	414.9	2.1	207.5	5.4	41.5
	65°	2			7	87	84	87	83	86	83	16	301.1	2.5	150.6	6.3	30.1
	75°	1			8	85	82	85	82	84	81						
	85°	7			9	83	80	83	80	82	80						
	90°	0			10	82	79	81	78	81	78						

**NOTES**

- 1 For electrical characteristics refer to the Technical Bulletins tab.
- 2 Tested to current IES and NEMA standards under stabilized laboratory conditions. Various operating factors can cause differences between laboratory data and actual field measurements. Dimensions and specifications are based on the most current available data and are subject to change without notice.

**DHID-665**

©2004 Gotham 12/04  
DHID-665.p65

**gotham**  
An Acuity Brands Company

GOTHAM ARCHITECTURAL DOWNLIGHTING  
A DIVISION OF ACUITY LIGHTING GROUP, INC.  
1400 Lester Road Conyers Georgia 30012  
P 800 315 4982 F 770 860 3129  
www.gothamlighting.com