

FEATURES

OPTICAL SYSTEM

- Self-flanged, matte-diffuse high-impact polymer finishing trim with a durable, proprietary vapor deposition finish.
- Patented Bounding Ray™ Optical Principle design (U.S. Patent No. 5,800,050) provides lamp before lamp image and smooth transition from top of the reflector to bottom.
- One piece trim eliminates mitered flange corners and inside corner gaps.
- Upper reflector is painted a highly reflective matte white providing diffuse, even light with high efficiency.
- Dual kicker design along with proprietary Gotham spread lens delivers a uniform distribution of light to the wall.

MECHANICAL SYSTEM

- 16-gauge painted steel mounting/plaster frame accommodates up to 1-1/2" thick ceiling materials.
- Patent pending adjustable aperture allows 1/4" adjustments in all directions and up to 5° of rotation allowing post-installation adjustments to ensure trim to trim alignment.
- 16-gauge galvanized steel mounting bars with continuous 4" vertical adjustments are shipped pre-installed. Post installation adjustment possible without the use of tools from above or below ceiling.
- Secondary housing adjustment system for precise, final ceiling to flange alignment.
- Galvanized steel junction box with hinged access covers and spring latch. Three combination 1/2"-3/4" and one 1/2" knockout for straight-through conduit runs. Capacity: 8 (4 in, 4 out) No. 12 AWG conductors rated for 90°C.

ELECTRICAL SYSTEM

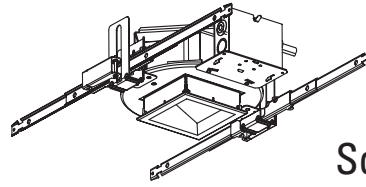
- Medium-base porcelain socket with nickel-plated screw shell.
- Thermally-activated insulation detector.

LISTING

- Fixtures are UL Listed for thru-branch wiring, Non-IC recessed mounting and damp locations. Listed and labeled to comply with Canadian Standards.

Type

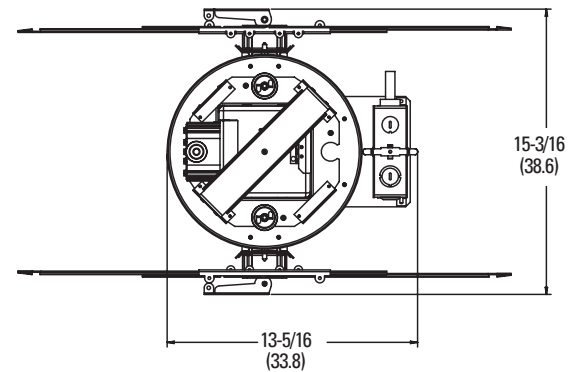
Catalog number



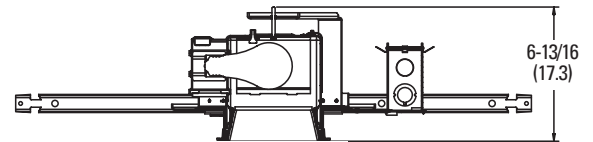
Incandescent Downlights

4" SQAZW

Square Lensed Wallwash
A19 or BT15 Lamp



Aperture: 4-1/2 (11.4)
Ceiling Opening: 5-1/8 (13.0)
Overlap Trim: 5-3/4 (14.6)



All dimensions
are inches
(centimeters)

ORDERING INFORMATION

Example: **SQAZW 4AR 120**

Choose the boldface catalog nomenclature that best suits your needs and write it on the appropriate line.

SQAZW

| Series ¹ | Aperture/Trim color | Finish | Options |
|---------------------|---|-------------------------|--|
| SQAZW | 4AR Clear 4DSR Stepped | LD Matte-diffuse | SDT ² Stepdown transformer (277V to 120V) SDT347 ² Stepdown transformer (347V to 120V; 75W Max.) SF ² Single fuse LRC ³ Provides compatibility with Lithonia Reloc® System. Lithonia Reloc System can be installed less this option with connectors provided by others. Access above ceiling required CP Chicago Plenum |

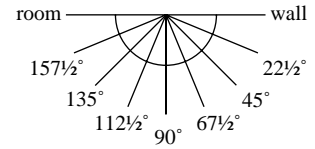
NOTES

- 1 Maximum wattage: 100W A19.
- 2 Single fuse standard when SDT or SDT347 options are ordered.
- 3 For compatible Reloc systems, refer to Technical Bulletins tab.

4" SQAZW Square Lensed Wallwash

TECHNICAL INFORMATION

Footcandle values are initial and tables are based on minimum of six units. For fixture-to-wall distance other than those shown, use maximum of one-to-one spacing (distance between fixtures not more than distance to wall) for best results.



| Fixture/lamp | Candlepower data | | | | | Footcandle values | | | | | | | |
|------------------------|------------------|-----|-------|-----|-----------|----------------------------------|----|----|----------------------------------|----|----|---|----|
| | Plane Angle | | | | | 3 ft. from wall on 3 ft. centers | | | 3 ft. from wall on 4 ft. centers | | | | |
| | Room Side | | | | Wall Side | | | | | | | | |
| | Vertical Angle | 90° | 67.5° | 45° | 22.5° | Wall | | | | | | | |
| SQAZW 100W 4AR | | | | | | | | | | | | | |
| 100A/WL/120V lamp | | | | | | | | | | | | | |
| 1550 rated lumens | | | | | | | | | | | | | |
| Test No. LTL16313 | | | | | | | | | | | | | |
| | 0° | 270 | 270 | 270 | 270 | 270 | 1 | 3 | 2 | 3 | 3 | 1 | 3 |
| | 5° | 270 | 274 | 279 | 282 | 283 | 2 | 10 | 7 | 10 | 8 | 5 | 8 |
| | 15° | 253 | 269 | 292 | 312 | 318 | 3 | 10 | 9 | 10 | 8 | 6 | 8 |
| | 25° | 191 | 214 | 271 | 305 | 305 | 4 | 9 | 9 | 9 | 7 | 6 | 7 |
| | 35° | 119 | 134 | 181 | 229 | 235 | 5 | 7 | 8 | 7 | 6 | 6 | 6 |
| | 45° | 72 | 75 | 102 | 155 | 179 | 6 | 6 | 6 | 6 | 5 | 5 | 5 |
| | 55° | 39 | 45 | 58 | 96 | 127 | 7 | 5 | 5 | 5 | 4 | 4 | 4 |
| | 65° | 14 | 20 | 30 | 45 | 69 | 8 | 4 | 4 | 4 | 3 | 3 | 3 |
| | 75° | 4 | 5 | 9 | 10 | 16 | 9 | 3 | 3 | 3 | 3 | 3 | 3 |
| | 85° | 1 | 1 | 1 | 1 | 0 | 10 | 3 | 3 | 3 | 2 | 2 | 2 |
| | 90° | 0 | 0 | 0 | 0 | 0 | | | | | | | |
| SQAZW 100W 4AR | | | | | | | | | | | | | |
| 100 BT15 lamp | | | | | | | | | | | | | |
| 1670 rated lumens | | | | | | | | | | | | | |
| Test No. LTL16315 | | | | | | | | | | | | | |
| | 0° | 279 | 279 | 279 | 279 | 279 | 1 | 4 | 2 | 4 | 4 | 1 | 4 |
| | 5° | 278 | 283 | 288 | 295 | 297 | 2 | 11 | 8 | 11 | 10 | 5 | 10 |
| | 15° | 254 | 275 | 309 | 341 | 351 | 3 | 11 | 10 | 11 | 10 | 7 | 10 |
| | 25° | 191 | 221 | 288 | 339 | 346 | 4 | 10 | 10 | 10 | 8 | 7 | 8 |
| | 35° | 122 | 137 | 187 | 253 | 274 | 5 | 8 | 8 | 8 | 6 | 6 | 6 |
| | 45° | 75 | 80 | 106 | 175 | 214 | 6 | 7 | 7 | 7 | 5 | 5 | 5 |
| | 55° | 40 | 46 | 61 | 108 | 156 | 7 | 6 | 6 | 6 | 4 | 4 | 4 |
| | 65° | 15 | 22 | 32 | 51 | 81 | 8 | 5 | 5 | 5 | 3 | 4 | 3 |
| | 75° | 4 | 6 | 9 | 11 | 18 | 9 | 4 | 4 | 4 | 3 | 3 | 3 |
| | 85° | 1 | 1 | 1 | 1 | 1 | 10 | 3 | 3 | 3 | 2 | 2 | 2 |
| | 90° | 0 | 0 | 0 | 0 | 0 | | | | | | | |
| SQAZW 100W 4DSR | | | | | | | | | | | | | |
| 100A/WL/120V lamp | | | | | | | | | | | | | |
| 1550 rated lumens | | | | | | | | | | | | | |
| Test No. LTL16314 | | | | | | | | | | | | | |
| | 0° | 234 | 234 | 234 | 234 | 234 | 1 | 5 | 3 | 5 | 4 | 2 | 4 |
| | 5° | 236 | 242 | 247 | 251 | 252 | 2 | 11 | 10 | 11 | 9 | 6 | 9 |
| | 15° | 233 | 256 | 282 | 293 | 295 | 3 | 11 | 11 | 11 | 9 | 7 | 9 |
| | 25° | 187 | 222 | 274 | 289 | 280 | 4 | 9 | 10 | 9 | 7 | 7 | 7 |
| | 35° | 125 | 149 | 192 | 231 | 226 | 5 | 8 | 8 | 8 | 6 | 6 | 6 |
| | 45° | 77 | 87 | 117 | 175 | 185 | 6 | 6 | 7 | 6 | 5 | 5 | 5 |
| | 55° | 44 | 55 | 68 | 118 | 138 | 7 | 5 | 5 | 5 | 4 | 4 | 4 |
| | 65° | 20 | 31 | 37 | 62 | 79 | 8 | 4 | 4 | 4 | 3 | 3 | 3 |
| | 75° | 6 | 11 | 13 | 17 | 26 | 9 | 3 | 3 | 3 | 3 | 3 | 3 |
| | 85° | 1 | 1 | 1 | 1 | 2 | 10 | 3 | 3 | 3 | 2 | 2 | 2 |
| | 90° | 0 | 0 | 0 | 0 | 0 | | | | | | | |
| SQAZW 100W 4DSR | | | | | | | | | | | | | |
| 100A/WL/120V lamp | | | | | | | | | | | | | |
| 1550 rated lumens | | | | | | | | | | | | | |
| Test No. LTL16316 | | | | | | | | | | | | | |
| | 0° | 246 | 246 | 246 | 246 | 246 | 1 | 5 | 3 | 5 | 5 | 2 | 5 |
| | 5° | 246 | 252 | 259 | 265 | 266 | 2 | 12 | 11 | 12 | 11 | 6 | 11 |
| | 15° | 237 | 265 | 302 | 323 | 327 | 3 | 12 | 12 | 12 | 10 | 8 | 10 |
| | 25° | 187 | 229 | 293 | 322 | 315 | 4 | 10 | 11 | 10 | 8 | 8 | 8 |
| | 35° | 125 | 149 | 198 | 262 | 266 | 5 | 8 | 9 | 8 | 6 | 7 | 6 |
| | 45° | 79 | 90 | 120 | 199 | 221 | 6 | 7 | 7 | 7 | 5 | 5 | 5 |
| | 55° | 45 | 56 | 69 | 134 | 165 | 7 | 6 | 6 | 6 | 4 | 4 | 4 |
| | 65° | 20 | 31 | 38 | 68 | 92 | 8 | 5 | 5 | 5 | 3 | 4 | 3 |
| | 75° | 6 | 11 | 13 | 17 | 29 | 9 | 4 | 4 | 4 | 3 | 3 | 3 |
| | 85° | 1 | 1 | 1 | 1 | 2 | 10 | 3 | 3 | 3 | 2 | 2 | 2 |
| | 90° | 0 | 0 | 0 | 0 | 0 | | | | | | | |

NOTES:
 1. For electrical characteristics consult Technical Bulletins tab.
 2. Tested to current IES and NEMA standards under stabilized laboratory conditions. Various operating factors can cause differences between laboratory data and actual field measurements. Dimensions and specifications are based on the most current available data and are subject to change without notice.