

# FEATURES

## OPTICAL SYSTEM

- Self-flanged, matte-diffuse high-impact polymer finishing trim with a durable, proprietary vapor deposition finish.
- Patented Bounding Ray™ Optical Principle design (U.S. Patent No. 5,800,050) provides lamp before lamp image and smooth transition from top of the reflector to bottom.
- One piece trim eliminates mitered flange corners and inside corner gaps.
- Upper reflector is painted a highly reflective matte white providing diffuse, even light with high efficiency.
- Dual kicker design along with proprietary Gotham spread lens delivers a uniform distribution of light to the wall.

## MECHANICAL SYSTEM

- 16-gauge painted steel mounting/plaster frame accommodates up to 1-1/2" thick ceiling materials.
- Patent pending adjustable aperture allows 1/4" adjustments in all directions and up to 5° of rotation allowing post-installation adjustments to ensure trim to trim alignment.
- 16-gauge galvanized steel mounting bars with continuous 4" vertical adjustments are shipped pre-installed. Post installation adjustment possible without the use of tools from above or below ceiling.
- Secondary housing adjustment system for precise, final ceiling to flange alignment.
- Galvanized steel junction box with hinged access covers and spring latch. Three combination 1/2"-3/4" and one 1/2" knockout for straight-through conduit runs. Capacity: 8 (4 in, 4 out) No. 12 AWG conductors rated for 90°C.

## ELECTRICAL SYSTEM

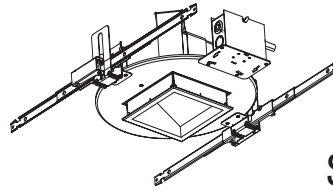
- Medium-base porcelain socket with nickel-plated screw shell.
- Thermally-activated insulation detector.

## LISTING

- Fixtures are UL Listed for thru-branch wiring, Non-IC recessed mounting and damp locations. Listed and labeled to comply with Canadian Standards.

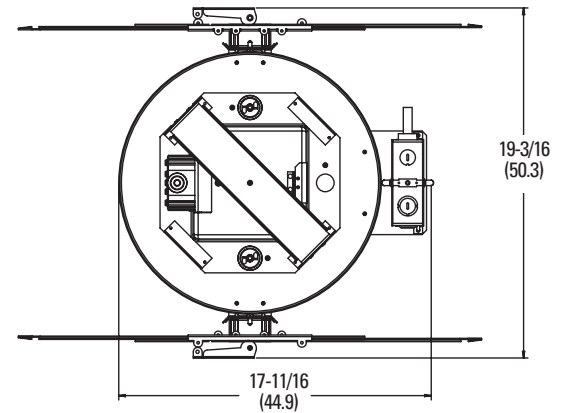
Type

Catalog number

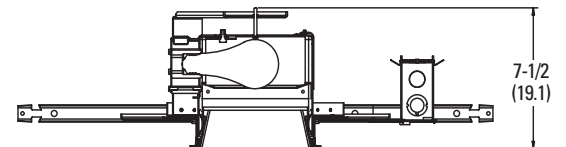


# Incandescent Downlights 6" SQAZW

Square Lensed Wallwash  
A19, A21 or BT15 Lamp



Aperture: 6 (15.2)  
Ceiling Opening: 6-5/8 (16.8)  
Overlap Trim: 7-3/16 (18.3)



All dimensions are inches (centimeters)

# ORDERING INFORMATION

Example: **SQAZW 6AR 120**

Choose the boldface catalog nomenclature that best suits your needs and write it on the appropriate line.

## SQAZW

<b>Series</b> <sup>1</sup> <b>SQAZW</b>	<b>Aperture/Trim color</b> <b>6AR</b> Clear <b>6DSR</b> Stepped	<b>Finish</b> <b>LD</b> Matte-diffuse	<b>Options</b> <b>SDT</b> <sup>2</sup> Stepdown transformer(277V to 120V) <b>SDT347</b> <sup>2</sup> Stepdown transformer (347V to120V; 75W Max.) <b>SF</b> <sup>2</sup> Single fuse <b>LRC</b> <sup>3</sup> Provides compatibility with Lithonia Reloc® System. Lithonia Reloc System can be installed less this option with connectors provided by others. Access above ceiling required <b>CP</b> Chicago Plenum
--	---	--	--

## NOTES

- 1 Maximum wattage: 150W A21.
- 2 Single fuse standard when SDT or SDT347 options are ordered.
- 3 For compatible Reloc systems, refer to Technical Bulletins tab.



GOTHAM ARCHITECTURAL DOWNLIGHTING  
1400 Lester Road Conyers Georgia 30012  
P 800 315 4982 F 770 860 3129  
www.gothamlighting.com

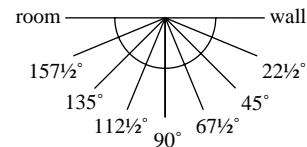
SQAZW 6

DINC-300

# 6" SQAZW Square Lensed Wallwash

## TECHNICAL INFORMATION

Footcandle values are initial and tables are based on minimum of six units. For fixture-to-wall distance other than those shown, use maximum of one-to-one spacing (distance between fixtures not more than distance to wall) for best results.



Fixture/lamp	Candlepower data					Footcandle values							
	Plane Angle												
	Room Side		Wall Side			3 ft. from wall on 3 ft. centers		3 ft. from wall on 4 ft. centers					
Vertical Angle	90°	67.5°	45°	22.5°	Wall								
<b>SQAZW 150W 6AR</b>													
150W A21 lamp	0°	612	612	612	612	612	1	14	8	14	13	5	13
2850 rated lumens	5°	616	626	630	631	634	2	26	23	26	23	14	23
Test No. LTL16305	15°	605	631	652	662	665	3	24	26	24	21	17	21
	25°	457	509	618	658	657	4	22	24	22	17	17	17
	35°	285	311	446	572	557	5	18	19	18	14	14	14
	45°	155	172	272	439	434	6	15	15	15	11	12	11
	55°	86	108	149	280	332	7	12	12	12	9	9	9
	65°	35	54	87	156	223	8	9	9	9	7	7	7
	75°	9	15	31	46	83	9	8	8	8	6	6	6
	85°	2	2	2	1	1	10	6	6	6	5	5	5
	90°	0	0	0	0	0							

Fixture/lamp	Candlepower data					Footcandle values							
	Plane Angle												
	Room Side		Wall Side			3 ft. from wall on 3 ft. centers		3 ft. from wall on 4 ft. centers					
Vertical Angle	90°	67.5°	45°	22.5°	Wall								
<b>SQAZW 150W 6AR</b>													
150W BT15 lamp	0°	612	612	612	612	612	1	14	8	14	13	4	13
2650 rated lumens	5°	608	613	617	627	636	2	23	19	23	20	12	20
Test No. LTL16307	15°	524	553	592	629	647	3	22	21	22	18	14	18
	25°	394	422	501	595	626	4	20	20	20	16	14	16
	35°	260	285	370	490	520	5	16	17	16	13	12	13
	45°	151	164	247	338	376	6	13	13	13	10	10	10
	55°	75	95	139	222	287	7	10	11	10	8	8	8
	65°	30	47	76	133	212	8	8	8	8	6	6	6
	75°	8	13	26	44	82	9	7	7	7	5	5	5
	85°	2	2	2	1	1	10	5	6	5	4	4	4
	90°	0	0	0	0	0							

Fixture/lamp	Candlepower data					Footcandle values							
	Plane Angle												
	Room Side		Wall Side			3 ft. from wall on 3 ft. centers		3 ft. from wall on 4 ft. centers					
Vertical Angle	90°	67.5°	45°	22.5°	Wall								
<b>SQAZW 150W 6DSR</b>													
150W A21 lamp	0°	541	541	541	541	541	1	16	11	16	14	7	14
2850 rated lumens	5°	547	563	571	575	576	2	27	25	27	23	15	23
Test No. LTL16306	15°	557	602	644	657	654	3	25	27	25	20	18	20
	25°	435	516	661	689	658	4	22	25	22	17	18	17
	35°	297	348	480	577	541	5	19	20	19	14	15	14
	45°	180	201	292	448	412	6	15	16	15	11	12	11
	55°	109	133	163	295	328	7	13	13	13	9	10	9
	65°	53	77	99	169	227	8	10	10	10	8	8	8
	75°	20	31	43	59	98	9	8	8	8	6	6	6
	85°	4	4	4	4	6	10	6	6	6	5	5	5
	90°	0	0	0	0	0							

Fixture/lamp	Candlepower data					Footcandle values							
	Plane Angle												
	Room Side		Wall Side			3 ft. from wall on 3 ft. centers		3 ft. from wall on 4 ft. centers					
Vertical Angle	90°	67.5°	45°	22.5°	Wall								
<b>SQAZW 150W 6DSR</b>													
150W BT15 lamp	0°	562	562	562	562	562	1	15	10	15	14	6	14
2650 rated lumens	5°	558	571	583	590	597	2	23	20	23	20	13	20
Test No. LTL16308	15°	499	544	605	641	654	3	22	22	22	18	15	18
	25°	389	440	547	635	638	4	20	21	20	16	15	16
	35°	270	320	410	504	507	5	17	18	17	13	13	13
	45°	173	186	272	347	367	6	14	14	14	11	11	11
	55°	94	114	154	231	284	7	11	11	11	9	9	9
	65°	45	67	89	143	216	8	9	9	9	7	7	7
	75°	17	26	37	54	91	9	7	7	7	6	6	6
	85°	4	4	4	4	5	10	6	6	6	5	5	5
	90°	0	0	0	0	0							

NOTES:  
 1. For electrical characteristics consult Technical Bulletins tab.  
 2. Tested to current IES and NEMA standards under stabilized laboratory conditions. Various operating factors can cause differences between laboratory data and actual field measurements. Dimensions and specifications are based on the most current available data and are subject to change without notice.