

FEATURES

OPTICAL SYSTEM

- Reflector- Self-flanged, specular or semi-diffuse reflector. Bounding Ray™ Optical Principle design provides lamp before lamp image and smooth transition from top of reflector to bottom.
- Patent-pending integrated snoot and optical system minimizes lamp striations normally associated with PAR lamps and creates visually pleasing scallops on vertical surfaces.

MECHANICAL SYSTEM

- 16-gauge galvanized steel mounting/plaster frame. Adjustable yoke and tempered steel flat spring utilized to retain optical system. Accommodates up to 1-5/8" thick ceiling with no modifications.
- 16-gauge galvanized steel mounting bars provide continuous vertical and horizontal adjustment and are held in place with tool-less, cam-action, locking brackets. Post installation adjustment possible from above or below the ceiling. Shipped pre-installed.
- 16-gauge galvanized steel junction box with hinged access covers. Two combination 1/2-3/4" and four 1/2" knock-outs for straight-through conduit runs. Capacity: 8 (4 in, 4 out) No. 12 AWG conductors rated for 90°C.

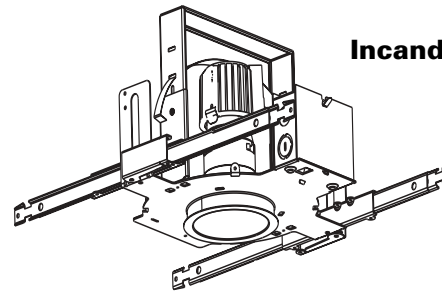
ELECTRICAL SYSTEM

- Die-cast aluminum lampholder housing.
- Medium base porcelain socket with nickel-plated screw shell.
- Thermally-activated insulation detector.

LISTING

- Fixtures are UL Listed for thru-branch wiring, non-IC recessed mounting and damp locations. Listed and labeled to comply with Canadian Standards.

Type Catalog number

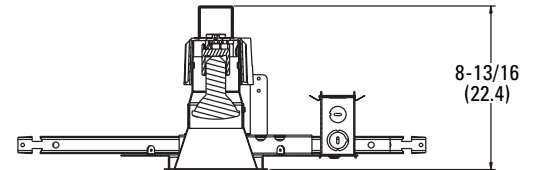


Incandescent Downlights

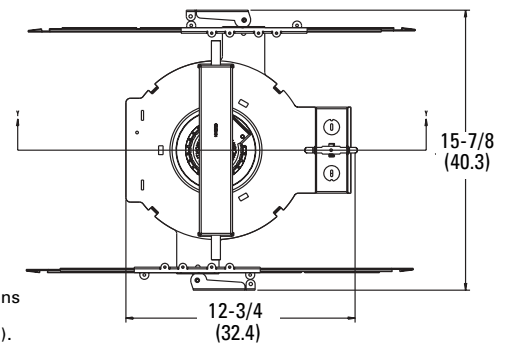
4" APR

Open Reflector

PAR20



Aperture: 4-5/16 (10.9)
 Ceiling Opening: 5-1/16 (12.9)
 Overlap Trim: 5-7/16 (13.8)



All dimensions are inches (centimeters).

ORDERING INFORMATION

Example: **APR PAR20 4AR**

Choose the boldface catalog nomenclature that best suits your needs and write it on the appropriate line. Order accessories as separate catalog numbers (shipped separately).

APR	PAR20	Aperture/Trim color		Finish	Options
Series	Lamp designation				
APR	PAR20 PAR20 (50W max.)	4AR Clear		(blank) Specular	TRW White painted flange.
		4BR Black		LD Semi-diffuse	LRC¹ Provides compatibility with Lithonia Reloc® System. Lithonia Reloc System can be installed less this option with connectors provided by others. Access above ceiling required.
		4PR Pewter			CP Chicago Plenum.
		4WTR Wheat			SDT 277V to 120V stepdown transformer.
		4UBR Umber			SDT347 347V to 120V stepdown transformer.
		4GR Gold			GSKT Foam gasketing.
		4CR Champagne gold			

Accessories

SC4 Sloped Ceiling adaptor. Degree of slope must be specified (10D, 15D, 20D, 25D, 30D). Ex: SC4 10D.

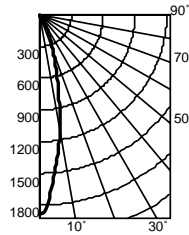
NOTE

1 For compatible Reloc systems, refer to Technical Bulletins tab.

4" APR Open Reflector

Distribution curve Distribution data Output data Coefficient of utilization Single luminaire data 30" above floor

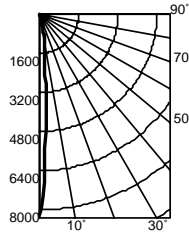
APR 4AR, 50W PAR20/CAP/NFL(30) lamp, 0.4 spacing criteria, 530 rated lumens, test no. ltl12823



cp	Lumens	Zone	Lumens	% Lamp
0°	1886	0° - 30°	411	77.5
5°	1545	0° - 40°	427	80.6
15°	659	0° - 60°	429	80.9
25°	198	0° - 90°	429	80.9
35°	21	90° - 180°	0	0.0
45°	2	0° - 180°	429	*80.9
55°	0			*Total Efficiency
65°	0			
75°	0			
85°	0			
90°	0			

pf	20%						Initial FC	50% beam - 22.3'	10% beam - 47.4'			
	pc	80%		70%		50%						
pw	50%	30%	50%	30%	50%	30%	Mounting Height	Center Beam Diameter	FC Diameter	FC		
	0	96	96	94	94	90					90	8
1	91	90	90	88	86	85	10	33.5	3.0	16.8	6.6	3.4
2	87	84	85	83	83	81	12	20.9	3.7	10.4	8.3	2.1
3	83	80	82	79	80	78	14	14.3	4.5	7.1	10.1	1.4
4	80	76	79	76	77	75	16	10.3	5.3	5.2	11.9	1.0
5	76	73	76	73	74	72						
6	74	70	73	70	72	69						
7	71	68	71	67	70	67						
8	69	65	68	65	68	65						
9	66	63	66	63	65	63						
10	64	61	64	61	64	61						

APR 4AR, 50W PAR20/SP-10° lamp, 0.1 spacing criteria, 570 rated lumens, test no. ltl12908



cp	Lumens	Zone	Lumens	% Lamp
0°	8161	0° - 30°	428	75.1
5°	2823	0° - 40°	438	76.8
15°	508	0° - 60°	440	77.3
25°	107	0° - 90°	441	77.3
35°	13	90° - 180°	0	0.0
45°	3	0° - 180°	441	*77.3
55°	0			*Total Efficiency
65°	0			
75°	0			
85°	0			
90°	0			

pf	20%						Initial FC	50% beam - 7.1'	10% beam - 23.7'			
	pc	80%		70%		50%						
pw	50%	30%	50%	30%	50%	30%	Mounting Height	Center Beam Diameter	FC Diameter	FC		
	0	92	92	90	90	86					86	8
1	88	86	86	85	83	82	10	145.1	0.9	72.5	3.1	14.5
2	84	82	83	81	81	79	12	90.4	1.2	45.2	4.0	9.0
3	81	79	80	78	78	77	14	61.7	1.4	30.8	4.8	6.2
4	79	76	78	75	76	74	16	44.8	1.7	22.4	5.7	4.5
5	76	74	76	73	74	72						
6	74	71	74	71	73	71						
7	72	70	72	69	71	69						
8	71	68	70	68	70	67						
9	69	67	69	66	68	66						
10	68	65	68	65	67	65						

NOTE

Tested to current IES and NEMA standards under stabilized laboratory conditions. Various operating factors can cause differences between laboratory data and actual field measurements. Dimensions and specifications are based on the most current available data and are subject to change without notice.

DINC-385

©2004 Gotham 12/04
DINC-385.p65

gotham
An Acuity Brands Company

GOTHAM ARCHITECTURAL DOWNLIGHTING
A DIVISION OF ACUITY LIGHTING GROUP, INC.
1400 Lester Road Conyers Georgia 30012
P 800 315 4982 F 770 860 3129
www.gothamlighting.com