

FEATURES

OPTICAL SYSTEM

- Reflector- Self-flanged, specular or semi-diffuse reflector. Bounding Ray™ Optical Principle design provides lamp before lamp image and smooth transition from top of reflector to bottom.
- Patent-pending integrated snoot and optical system minimizes lamp striations normally associated with PAR lamps and creates visually pleasing scallops on vertical surfaces.

MECHANICAL SYSTEM

- 16-gauge galvanized steel mounting/plaster frame. Adjustable yoke and tempered steel flat spring utilized to retain optical system. Accommodates up to 1-5/8" thick ceiling with no modifications.
- 16-gauge galvanized steel mounting bars provide continuous vertical and horizontal adjustment and are held in place with tool-less, cam-action, locking brackets. Post installation adjustment possible from above or below the ceiling. Shipped pre-installed.
- 16-gauge galvanized steel junction box with hinged access covers. Two combination 1/2-3/4" and four 1/2" knock-outs for straight-through conduit runs. Capacity: 8 (4 in, 4 out) No. 12 AWG conductors rated for 90°C.

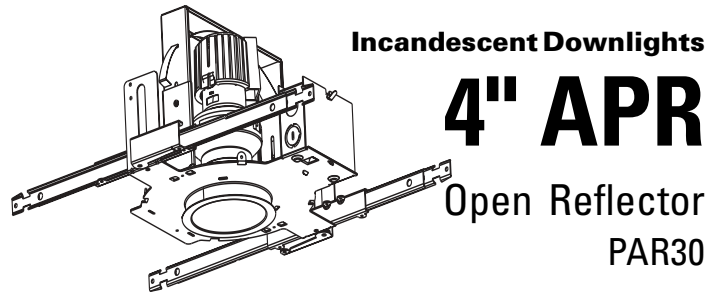
ELECTRICAL SYSTEM

- Die-cast aluminum lampholder housing.
- Medium base porcelain socket with nickel-plated screw shell.
- Thermally-activated insulation detector.

LISTING

- Fixtures are UL Listed for thru-branch wiring, non-IC recessed mounting and damp locations. Listed and labeled to comply with Canadian Standards.

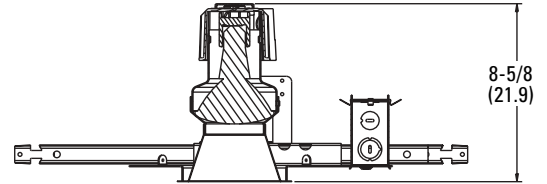
Type Catalog number



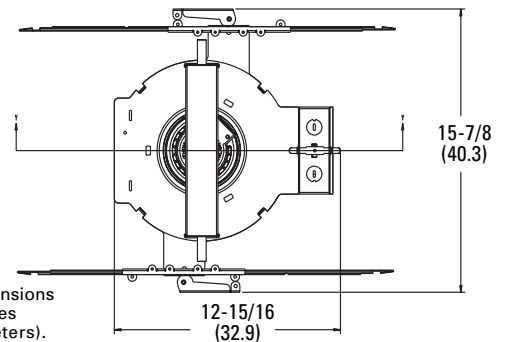
Incandescent Downlights

4" APR

**Open Reflector
PAR30**



Aperture: 4-5/16 (10.9)
Ceiling Opening: 5-1/16 (12.9)
Overlap Trim: 5-7/16 (13.8)



All dimensions are inches (centimeters).

ORDERING INFORMATION

Choose the boldface catalog nomenclature that best suits your needs and write it on the appropriate line. Order accessories as separate catalog numbers (shipped separately).

Example: **APR PAR30 4AR**

APR	PAR30					
Series	Lamp designation	Aperture/Trim color	Finish	Options		
APR	PAR30 PAR30 (75W Max.)	4AR Clear 4BR Black 4PR Pewter 4WTR Wheat 4UBR Umber 4GR Gold 4CR Champagne gold	(blank) Specular LD Semi-diffuse	TRW White painted flange. LRC¹ Provides compatibility with Lithonia Reloc® System. Lithonia Reloc System can be installed less this option with connectors provided by others. Access above ceiling required. CP Chicago Plenum. SDT 277V to 120V stepdown transformer. SDT347 347V to 120V stepdown transformer. GSKT Foam gasketing.		

Accessories

- SC4** Sloped Ceiling adaptor. Degree of slope must be specified (10D, 15D, 20D,25D,30D). Ex: SC4 **10D**.

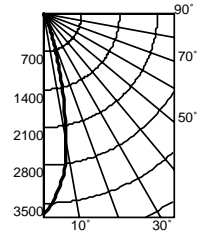
NOTE

1 For compatible Reloc systems, refer to Technical Bulletins tab.

4" APR Open Reflector

Distribution curve Distribution data Output data Coefficient of utilization Single luminaire data 30" above floor

APR 4AR, 75W PAR30LN/CAP/SPL/NFL lamp, 0.4 spacing criteria, 1130 rated lumens, test no. Itl12859



Distribution data		Output data		Coefficient of utilization						Single luminaire data 30" above floor						
cp	Lumens	Zone	Lumens % Lamp	pc	20%		70%		50%		50% beam - 23.3' 10% beam - 41.2'					
					50%	30%	50%	30%	50%	30%	Initial FC					
					pw						Mounting		Center			
					Height	Beam	Diameter	FC	Diameter	FC	Height	Beam	Diameter	FC	Diameter	FC
0°	3684	0° - 30°	709 62.7	0	76	76	74	74	71	71	8	121.8	2.3	60.9	4.1	12.2
5°	3233	0° - 40°	721 63.8	1	73	71	71	70	69	68	10	65.5	3.1	32.7	5.6	6.6
15°	1165	0° - 60°	724 64.1	2	69	68	68	67	66	65	12	40.8	3.9	20.4	7.1	4.1
25°	186	0° - 90°	724 64.1	3	67	64	66	64	64	63	14	27.9	4.8	13.9	8.6	2.8
35°	14	90° - 180°	0 0.0	4	64	62	64	61	62	61	16	20.2	5.6	10.1	10.1	2.0
45°	4	0° - 180°	724 *64.1	5	62	60	62	59	61	59						
55°	0		*Total Efficiency	6	60	58	60	57	59	57						
65°	0			7	58	56	58	56	57	55						
75°	0			8	57	54	57	54	56	54						
85°	0			9	55	53	55	53	55	53						
90°	0			10	54	52	54	51	53	51						

NOTE

Tested to current IES and NEMA standards under stabilized laboratory conditions. Various operating factors can cause differences between laboratory data and actual field measurements. Dimensions and specifications are based on the most current available data and are subject to change without notice.