

FEATURES

OPTICAL SYSTEM

- Baffle with white painted minimum flange.

MECHANICAL SYSTEM

- 16-gauge galvanized steel mounting/plaster frame. Adjustable yoke and tempered steel flat spring utilized to retain optical system. Accommodates up to 1-5/8" thick ceiling with no modifications.
- 16-gauge galvanized steel mounting bars provide continuous vertical and horizontal adjustment and are held in place with tool-less, cam-action, locking brackets. Post installation adjustment possible from above or below the ceiling. Shipped pre-installed.
- 16-gauge galvanized steel junction box with hinged access covers. Two combination 1/2-3/4" and four 1/2" knock-outs for straight-through conduit runs. Capacity: 8 (4 in, 4 out) No. 12 AWG conductors rated for 90°C.

ELECTRICAL SYSTEM

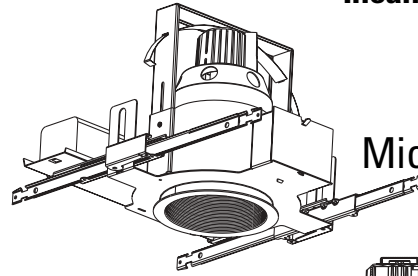
- Die-cast aluminum lampholder housing.
- Medium base porcelain socket with nickel-plated screw shell.
- Thermally-activated insulation detector.

LISTING

- Fixtures are UL Listed for thru-branch wiring, non-IC recessed mounting and damp locations. Listed and labeled to comply with Canadian Standards.

Type Catalog number

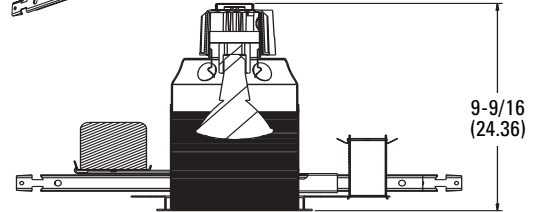
.....



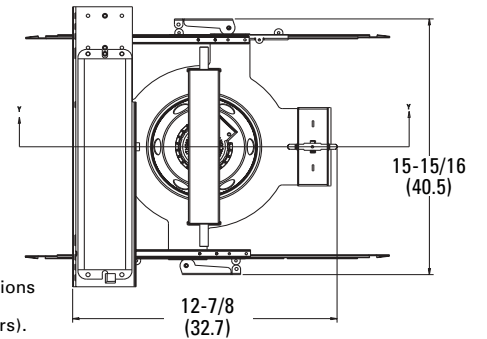
Incandescent Downlights

6" APR

Microgroove Baffle PAR30 or PAR38



Aperture: 6-1/4 (15.9)
 Ceiling Opening: 6-7/8 (17.5)
 Overlap Trim: 7-1/2 (19.1)



All dimensions are inches (centimeters).

ORDERING INFORMATION

Example: **APR PAR38 6MB**

Choose the boldface catalog nomenclature that best suits your needs and write it on the appropriate line. Order accessories as separate catalog numbers (shipped separately).

| APR | | | | | | | |
|------------|---|--|---|---------|--|--|--|
| Series | Lamp designation | Aperture/Trim color | | Options | | | |
| APR | PAR30 PAR30 (75W Max.) PAR38 PAR38 (250W Max.) | 6MB Black Baffle 6WB White Baffle | LRC¹ Provides compatibility with Lithonia Reloc® System. Lithonia Reloc System can be installed less this option with connectors provided by others. Access above ceiling required. CP Chicago Plenum. SDT 277V to 120V stepdown transformer. SDT347 347V to 120V stepdown transformer (75W max.). GSKT Foam gasketing. | | | | |

Accessories

SC6FL Sloped Ceiling adaptor. Degree of slope must be specified (10D, 15D, 20D, 25D, 30D). Ex: SC6FL **10D**.

NOTE

1 For compatible Reloc systems, refer to Technical Bulletins tab.

6" APR Microgroove Baffle

Distribution curve Distribution data Output data Coefficient of utilization Single luminaire data 30" above floor

APR 6MB, 60W PAR38/FL/HIR lamp, 0.5 spacing criteria, 1150 rated lumens, test no. ltl2193052704

| Distribution curve | Distribution data | | Output data | | Coefficient of utilization | | | Single luminaire data 30" above floor | | | | | | | | | | | | |
|--------------------|-------------------|--------|-------------------|---------------|----------------------------|-----|-----|---------------------------------------|-----------------------------------|-----|------------|----------|--------|----------|--------|-------------|----------|----|----------|----|
| | cp | Lumens | Zone | Lumens % Lamp | pf | 20% | | | 50% beam - 28.0° 10% beam - 41.3° | | | | | | | | | | | |
| | | | | | pc | 80% | 70% | 50% | Initial FC | | Mounting | | | | | | | | | |
| | | | | | | pw | | | 50% | 30% | 50% | 30% | 50% | 30% | Height | Center Beam | Diameter | FC | Diameter | FC |
| | 0° | 3571 | 0° - 30° | 786 68.3 | 0 | 82 | 82 | 80 | 76 | 76 | Initial FC | | | | | | | | | |
| | 5° | 3110 | 0° - 40° | 787 68.5 | 1 | 78 | 76 | 76 | 75 | 73 | 73 | Mounting | Center | | | | | | | |
| | 15° | 1706 | 0° - 60° | 787 68.5 | 2 | 74 | 72 | 73 | 71 | 71 | 70 | Height | Beam | Diameter | FC | Diameter | FC | | | |
| | 25° | 106 | 0° - 90° | 787 68.5 | 3 | 71 | 69 | 71 | 68 | 69 | 67 | 8 | 118.0 | 2.7 | 59.0 | 4.1 | 11.8 | | | |
| | 35° | 0 | 90° - 180° | 0 0.0 | 4 | 69 | 66 | 68 | 66 | 67 | 65 | 10 | 63.5 | 3.7 | 31.7 | 5.6 | 6.4 | | | |
| | 45° | 0 | 0° - 180° | 787 *68.5 | 5 | 67 | 64 | 66 | 64 | 65 | 63 | 12 | 39.6 | 4.7 | 19.8 | 7.2 | 4.0 | | | |
| | 55° | 0 | *Total Efficiency | | 6 | 65 | 62 | 64 | 62 | 63 | 61 | 14 | 27.0 | 5.7 | 13.5 | 8.7 | 2.7 | | | |
| | 65° | | | | 7 | 63 | 60 | 62 | 60 | 62 | 60 | 16 | 19.6 | 6.7 | 9.8 | 10.2 | 2.0 | | | |
| | 75° | | | | 8 | 61 | 59 | 61 | 58 | 60 | 58 | | | | | | | | | |
| | 85° | | | | 9 | 60 | 57 | 59 | 57 | 59 | 57 | | | | | | | | | |
| | 90° | | | | 10 | 58 | 56 | 58 | 55 | 57 | 55 | | | | | | | | | |

APR 6MB, 100W PAR38/FL/HIR lamp, 0.6 spacing criteria, 2000 rated lumens, test no. ltl2193052703

| Distribution curve | Distribution data | | Output data | | Coefficient of utilization | | | Single luminaire data 30" above floor | | | | | | | | | | | | |
|--------------------|-------------------|--------|-------------------|---------------|----------------------------|-----|-----|---------------------------------------|-----------------------------------|-----|----------|------------|--------|----------|--------|-------------|----------|----|----------|----|
| | cp | Lumens | Zone | Lumens % Lamp | pf | 20% | | | 50% beam - 31.6° 10% beam - 46.7° | | | | | | | | | | | |
| | | | | | pc | 80% | 70% | 50% | Initial FC | | Mounting | | | | | | | | | |
| | | | | | | pw | | | 50% | 30% | 50% | 30% | 50% | 30% | Height | Center Beam | Diameter | FC | Diameter | FC |
| | 0° | 4740 | 0° - 30° | 1386 69.3 | 0 | 83 | 83 | 81 | 81 | 78 | 78 | Initial FC | | | | | | | | |
| | 5° | 4537 | 0° - 40° | 1395 69.8 | 1 | 79 | 78 | 77 | 76 | 75 | 74 | Mounting | Center | | | | | | | |
| | 15° | 2936 | 0° - 60° | 1395 69.8 | 2 | 75 | 73 | 74 | 72 | 72 | 70 | Height | Beam | Diameter | FC | Diameter | FC | | | |
| | 25° | 387 | 0° - 90° | 1395 69.8 | 3 | 72 | 70 | 71 | 69 | 69 | 68 | 8 | 156.7 | 3.1 | 78.4 | 4.8 | 15.7 | | | |
| | 35° | 4 | 90° - 180° | 0 0.0 | 4 | 69 | 67 | 69 | 66 | 67 | 65 | 10 | 84.3 | 4.2 | 42.1 | 6.5 | 8.4 | | | |
| | 45° | 0 | 0° - 180° | 1395 *69.8 | 5 | 67 | 64 | 66 | 64 | 65 | 63 | 12 | 52.5 | 5.4 | 26.3 | 8.2 | 5.3 | | | |
| | 55° | 0 | *Total Efficiency | | 6 | 65 | 62 | 64 | 61 | 63 | 61 | 14 | 35.8 | 6.5 | 17.9 | 9.9 | 3.6 | | | |
| | 65° | | | | 7 | 62 | 60 | 62 | 59 | 61 | 59 | 16 | 26.0 | 7.6 | 13.0 | 11.7 | 2.6 | | | |
| | 75° | | | | 8 | 61 | 58 | 60 | 58 | 60 | 57 | | | | | | | | | |
| | 85° | | | | 9 | 59 | 56 | 58 | 56 | 58 | 55 | | | | | | | | | |
| | 90° | | | | 10 | 57 | 54 | 57 | 54 | 56 | 54 | | | | | | | | | |

APR 6MB, 150W PAR38/SP lamp, 0.4 spacing criteria, 1740 rated lumens, test no. ltl2188062803

| Distribution curve | Distribution data | | Output data | | Coefficient of utilization | | | Single luminaire data 30" above floor | | | | | | | | | | | | |
|--------------------|-------------------|--------|-------------------|---------------|----------------------------|-----|-----|---------------------------------------|-----------------------------------|-----|----------|------------|--------|----------|--------|-------------|----------|----|----------|----|
| | cp | Lumens | Zone | Lumens % Lamp | pf | 20% | | | 50% beam - 21.7° 10% beam - 39.0° | | | | | | | | | | | |
| | | | | | pc | 80% | 70% | 50% | Initial FC | | Mounting | | | | | | | | | |
| | | | | | | pw | | | 50% | 30% | 50% | 30% | 50% | 30% | Height | Center Beam | Diameter | FC | Diameter | FC |
| | 0 | 6919 | 0° - 30° | 1062 61.0 | 0 | 73 | 73 | 72 | 72 | 68 | 68 | Initial FC | | | | | | | | |
| | 5° | 6892 | 0° - 40° | 1069 61.4 | 1 | 70 | 69 | 69 | 68 | 66 | 66 | Mounting | Center | | | | | | | |
| | 15° | 1368 | 0° - 60° | 1071 61.5 | 2 | 67 | 66 | 66 | 65 | 65 | 63 | Height | Beam | Diameter | FC | Diameter | FC | | | |
| | 25° | 169 | 0° - 90° | 1071 61.5 | 3 | 65 | 63 | 64 | 63 | 63 | 62 | 8 | 228.7 | 2.1 | 114.3 | 3.9 | 22.9 | | | |
| | 35° | 11 | 90° - 180° | 0 0.0 | 4 | 63 | 61 | 63 | 61 | 62 | 60 | 10 | 123.0 | 2.9 | 61.5 | 5.3 | 12.3 | | | |
| | 45° | 2 | 0° - 180° | 1071 *61.5 | 5 | 62 | 60 | 61 | 59 | 60 | 59 | 12 | 76.7 | 3.6 | 38.3 | 6.7 | 7.7 | | | |
| | 55° | 0 | *Total Efficiency | | 6 | 60 | 58 | 60 | 58 | 59 | 57 | 14 | 52.3 | 4.4 | 26.1 | 8.2 | 5.2 | | | |
| | 65° | | | | 7 | 59 | 57 | 59 | 57 | 58 | 56 | 16 | 38.0 | 5.2 | 19.0 | 9.6 | 3.8 | | | |
| | 75° | | | | 8 | 58 | 56 | 57 | 56 | 57 | 55 | | | | | | | | | |
| | 85° | | | | 9 | 57 | 55 | 56 | 54 | 56 | 54 | | | | | | | | | |
| | 90 | | | | 10 | 56 | 54 | 55 | 54 | 55 | 53 | | | | | | | | | |

APR 6MB, Q250W PAR38/FL lamp, 0.6 spacing criteria, 3500 rated lumens, test no. ltl2188072701

| Distribution curve | Distribution data | | Output data | | Coefficient of utilization | | | Single luminaire data 30" above floor | | | | | | | | | | | | |
|--------------------|-------------------|--------|-------------------|---------------|----------------------------|-----|-----|---------------------------------------|-----------------------------------|-----|----------|------------|--------|----------|--------|-------------|----------|----|----------|----|
| | cp | Lumens | Zone | Lumens % Lamp | pf | 20% | | | 50% beam - 32.1° 10% beam - 51.6° | | | | | | | | | | | |
| | | | | | pc | 80% | 70% | 50% | Initial FC | | Mounting | | | | | | | | | |
| | | | | | | pw | | | 50% | 30% | 50% | 30% | 50% | 30% | Height | Center Beam | Diameter | FC | Diameter | FC |
| | 0 | 6937 | 0° - 30° | 2241 64.0 | 0 | 79 | 79 | 77 | 77 | 74 | 74 | Initial FC | | | | | | | | |
| | 5° | 6111 | 0° - 40° | 2328 66.5 | 1 | 75 | 74 | 74 | 72 | 71 | 70 | Mounting | Center | | | | | | | |
| | 15° | 4242 | 0° - 60° | 2332 66.6 | 2 | 71 | 69 | 70 | 68 | 68 | 67 | Height | Beam | Diameter | FC | Diameter | FC | | | |
| | 25° | 1020 | 0° - 90° | 2332 66.6 | 3 | 68 | 66 | 67 | 65 | 65 | 64 | 8 | 229.3 | 3.2 | 114.6 | 5.3 | 22.9 | | | |
| | 35° | 139 | 90° - 180° | 0 0.0 | 4 | 65 | 62 | 64 | 62 | 63 | 61 | 10 | 123.3 | 4.3 | 61.7 | 7.2 | 12.3 | | | |
| | 45° | 5 | 0° - 180° | 2332 *66.6 | 5 | 62 | 60 | 62 | 59 | 61 | 58 | 12 | 76.9 | 5.5 | 38.4 | 9.2 | 7.7 | | | |
| | 55° | 0 | *Total Efficiency | | 6 | 60 | 57 | 60 | 57 | 59 | 56 | 14 | 52.5 | 6.6 | 26.2 | 11.1 | 5.2 | | | |
| | 65° | | | | 7 | 58 | 55 | 57 | 55 | 57 | 54 | 16 | 38.1 | 7.8 | 19.0 | 13.0 | 3.8 | | | |
| | 75° | | | | 8 | 56 | 53 | 55 | 53 | 55 | 52 | | | | | | | | | |
| | 85° | | | | 9 | 54 | 51 | 54 | 51 | 53 | 50 | | | | | | | | | |
| | 90 | | | | 10 | 52 | 49 | 52 | 49 | 51 | 49 | | | | | | | | | |

NOTE

Tested to current IES and NEMA standards under stabilized laboratory conditions. Various operating factors can cause differences between laboratory data and actual field measurements. Dimensions and specifications are based on the most current available data and are subject to change without notice.

DINC-427

©2004 Gotham 12/04
DINC-427.p65

gotham
An Acuity Brands Company

GOTHAM ARCHITECTURAL DOWNLIGHTING
A DIVISION OF ACUITY LIGHTING GROUP, INC.
1400 Lester Road Conyers Georgia 30012
P 800 315 4982 F 770 860 3129
www.gothamlighting.com