

Catalog Number	
Notes	Type

FEATURES & SPECIFICATIONS

INTENDED USE

Recessed frame-in rated Non-IC.
Approved for all ceiling and wiring types.
New Construction or Remodel applications.

CONSTRUCTION

Galvanized steel frame. Cutout section on frame for remodel applications.
Galvanized bar hangers span up to 24" o.c. and feature built in nailer and T-bar clips.
Galvanized steel junction box with removable access door, four built in romex clamps; six 3/4" knockouts with slots for pryout.
Maximum 8 (4in 4out) No 12 AWG conductors. Rated for 90° C.
Ground wire provided.
Locking screw holds fixture in place.

ELECTRICAL SYSTEM

Electronic Multi-watt (26-42W), Multi-volt (120-277Vac) ballast with end of life protection provided on master fixture.
Class P thermally protected ballast protects against improper contact with insulation.
Approved for through branch circuit wiring.
11 foot inter-connection cable provided on remote unit.
Modular connector provided in master fixture for remote connection.

PHC (poke home connectors) standard.

INSTALLATION

2 x 8 wood joist or T-bar installation.
Expandable bar hangers allow for off-center mounting in wood joist or T-bar ceilings.
Length of 25-1/4" maximum 13-1/4" minimum or cut to fit 10-1/2" on center joist construction.
Trim clips hold finishing trim secure and snug to ceiling.
Socket assembly attaches to reflector to ensure proper and consistent lamp position.
Maximum ceiling thickness determined by finishing trim. See specific trim page.

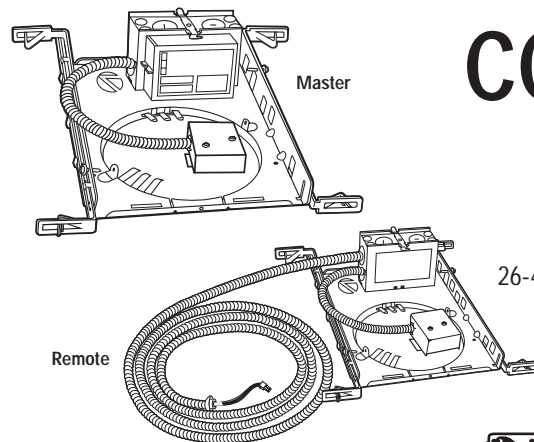
LISTING

UL Listed to US and Canadian safety standards.
Damp location listed.
See trim selection for wet location listing.

6" Frame-in

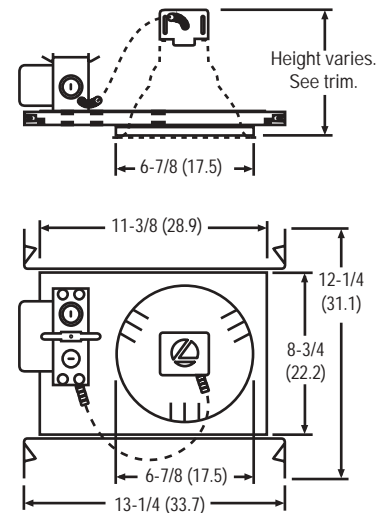
CCR62

FLUORESCENT
Master/Remote
26-42W Triple-Tube
Non-IC



Specifications

Height: 3-1/2 (8.9)
(Trim height varies)
Length: 13-1/4 (33.7)
Width: 12-1/4 (31.1)
Ceiling Opening: 7 (17.8)



All dimensions are inches (centimeters).

ORDERING INFORMATION

Example: CCR62 602

Choose the boldface catalog nomenclature that best suits your needs and write it on the appropriate line. Order accessories as separate catalog number.

CCR62

Series	Reflector			Options
CCR62 (26-42TRT MVOLT)	602 White Open with Splay	6M1BL Black Specular Multiplier	6LF2 Flush Prismatic Lensed ¹	EL Emergency battery pack with integral test switch. ²
	602A Clear Specular Open with Splay	6B3 Black Baffle with Diffuse Upper Reflector	6LD3 White Splay, Drop Opal Glass Lens	ELR Emergency battery pack with remote test switch. ²
	602SA Clear Diffuse Open with Splay	6B3W White Baffle with Diffuse Upper Reflector	6LDB3 Black Baffle, Drop Opal Glass Lens	GMF Single slow-blow fuse.
	602G Gold Specular Open with Splay	6B4 Black Baffle with White Upper Reflector	6LF3 White Splay, Flat White Glass Lens	WLP 35K Lamp (shipped separately). Must specify wattage.
	602SG Gold Diffuse Open with Splay	6B4W White Baffle with White Upper Reflector	6LFB3 Black Splay, Flat White Glass Lens	TRW White flange.
	603A Clear Specular Open	6W1 White Wallwash	6L4 White Splay, Flat Fresnel Glass Lens	
	603G Gold Specular Open	6W2 Black Baffle Wallwash	6LB4 Black Baffle, Flat Fresnel Glass Lens	
	607AZ Clear Specular Open	6W2W White Baffle Wallwash		
	607A Clear Diffuse Open	6W7AZ Clear Specular Wallwash		
	6C3BL Black Specular Cone with Diffuse Upper Reflector	6W7A Clear Diffuse Wallwash		
	6M1A Clear Specular Multiplier	6LD1 Drop Opal Lensed ¹		
	6M1G Gold Specular Multiplier	6LD2 Drop Prismatic Lensed ¹		
		6LF1 Flush Opal Lensed ¹		

Accessories:

Order as separate catalog number.

- CTE** Ceiling trim extender
- LBH** 22" extended bar hangers, set of two
- LCMB** Channel bar mounting brackets, set of two
- LSMC** T-bar mounting clips, set of four
- SCA6** Sloped ceiling adaptor. Degree of slope must be specified (10D, 15D, 20D, 25D, 30D). Ex: SCA6 10D

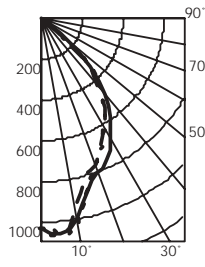
NOTES:

- 1 Metal flange standard. For plastic flange add suffix PF.
- 2 Emergency lamp on master unit only.

6" Fluorescent CCR62 Photometrics

Distribution curve Distribution data Output data Coefficient of utilization Single luminaire data 30" above floor

607AZ, 32W TRT lamp, 1.0 s/mh, 2400 rated lumens, test no. LTL11604



cp	Lumens	Zone	Lumens	% Lamp	pf	Coefficient of Utilization						
						pc	80%		20%			
						pw	50%	30%	50%	30%	50%	30%
0	1032	0° - 30°	673.9	28.1	0	64	64	62	62	59	59	59
5	1060	0° - 40°	1022.7	42.6	1	59	57	58	56	55	54	54
15	857	0° - 60°	1281.7	53.4	2	54	52	53	51	51	50	45
25	727	0° - 90°	1285.0	53.5	3	50	47	49	46	48	45	45
35	560	0° - 180°	0.0	0.0	4	46	42	45	42	44	41	41
45	333	90° - 180°	0.0	0.0	5	42	39	42	38	41	38	38
55	9	0° - 180°	1285.0	*53.5	6	39	36	39	35	38	35	35
65	2				7	36	33	36	32	35	32	32
75	1				8	34	30	33	30	33	30	30
85	0				9	31	28	31	28	31	28	28
90	0				10	29	26	29	26	29	26	26

Task Height: 2.5ft.

Mounting Height	Initial FC					
	Center Beam	50% beam - Diameter	52.0° - FC	10% beam - Diameter	91.4° - FC	
8.0	34.1	5.4	17.1	11.3	3.4	
10.0	18.3	7.3	9.2	15.4	1.8	
12.0	11.4	9.3	5.7	19.5	1.1	
14.0	7.8	11.2	3.9	23.6	0.8	
16.0	5.7	13.2	2.8	27.7	0.6	



Lithonia Lighting
 Acuity Lighting Group, Inc.
 Recessed Downlighting
 One Lithonia Way, Conyers, GA 30012
 Phone: 800-315-4935 Fax: 770-860-3106
 In Canada: 160 avenue Labrosse, Pointe-Claire, P.Q., H9R 1A1
 www.lithonia.com