



Catalog Number:

Type:

FFB164

T5HO & T8



Cold Storage Enclosed Fluorescent High Bay

Specifications

Reflectors - Precision formed, high performance, 95% total reflectance, segmented optics utilizing Alanod MIRO® 4 specular aluminum warranted for 25 years. Reflector optics are available in a wide variety of photometric distributions and spacing criteria.

Construction - Channel, ends and socket brackets are manufactured from 22-gauge cold rolled steel. Riveted and screwed assembly. Tool-less ballast and wiring access. Double-gasketed door with lens is standard.

- Optional all aluminum construction, specify AL.

Lamp Shielding - Lamp shielding options are provided with a 22ga., premium polyester powder coat finish door frame with two painted hinges and two painted opposing rotary cam latches. Lenses are held in place with lens clips. Fixture is provided with double gasketing around door frame and lens.

Finish - Premium polyester powder coat finish, utilizing a 7-stage pretreatment process of iron phosphate, a non-chromium sealer and a de-ionized water rinse to provide superior adhesion and corrosion resistance. Specify PAF (powder coat after fabrication).

Ballasts - All standard ballasts are electronic, energy saving, thermally protected, Class-P, HPF, non-PCB, Sound Rated A, UL/CSA certified where applicable and comply with Ⓢ Federal Ballast Law (Public Law 100-357, 1988). Default ballast configuration is for two-lamp ballasts.

Electrical - UL listed wire, rated for required temperatures, used throughout. Lamps are secured with rotary locking lamp sockets for ease of relamping and to reduce lamps disconnecting due to vibration or incidental contact. Luminaire is bi-national listed (UL 1598 and CSA C22.2 No. 250.0-00) and is suitable for damp locations.

Mounting - The luminaire may be suspended by chain or cable.

- Custom mounting options are available.
- Accessories are available.

Lamps - Factory installed lamps are available in various CRI ratings, temperature colors and rated life.

Warranty - Standard 1-year warranty for the fixture. Ballasts carry manufacturer warranties of 3-5 years, depending on the application.

Custom Requirements - Consult with your SpecLight Agent to develop custom solutions for any application.

Fixture Series	
FFB164	16" x 4'
Lamp Configuration	
4	4-lamp profile
6	6-lamp profile
Lamp Type/Wattage	
54T5HO	F54T5HO
32	F32T8
Photometric Distribution	
T1	Task Beam
S1	Spread Beam
Reflector	
X20	MIRO® 4, 0.020"
Lamp Shielding	
ACL	Clear Acrylic, 0.125"
PCL125	Clear Polycarbonate, 0.125"
Voltage	
HVOLT	347 - 480V, 60 Hz
MVOLT	120 - 277V, 60 Hz
Ballast Configuration	
(blank)	(2) 2-lamp ballast
2/3	(2) 3-lamp ballast
1/41/2	(1) 4-lamp & (1) 2-lamp ballast
1/4	(1) 4-lamp ballast
Ballast Type	
GEB10PS	1.0 B.F., ≤10% THD, PRS
GEB10IS*	Normal B.F., ≤10% THD, IS
GEB10ISH*	High B.F., ≤10% THD, IS
Lamps	
(blank)	No Lamps
LP841	Std life, 4100°K, 85 CRI
LP841A	Amalgam, 4100°K, 82 CRI
Options	
AL	Aluminum Construction

* T8 only



Applications

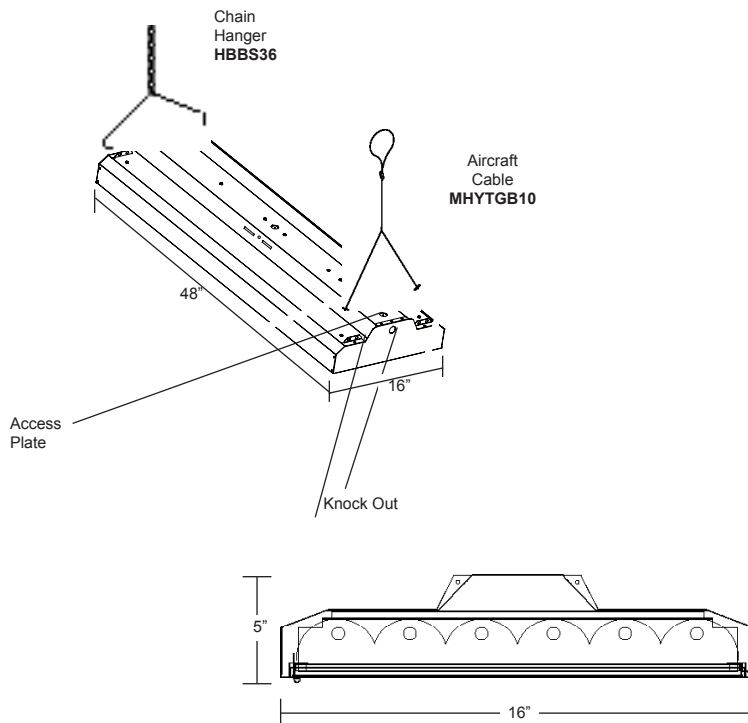
SpecLight's FFB series luminaire is the perfect replacement for HID high bay luminaires. The luminaire is designed for cold storage areas to -29°C and may be mounted at heights of 15' to 40'.

Features

High fixture efficiency and optical control deliver the peak candlepower needed to produce desired illumination levels from high mounting heights.

- Instant on/off control
- Improved horizontal and vertical illumination
- 85 CRI (fluorescent) v. 65 CRI (metal halide)
- 95%+ Lumen Maintenance (fluorescent) v. 50% Lumen Maintenance (metal halide)
- Long life - up to 20,000 hours
- 80+ maintained Lumens per watt
- Energy savings of 50% or more vs. HID fixtures

Dimensions



Additional Options (installed on fixture)

- Battery Pack
- Motion Sensor
- Cord Sets
- Fusing

Accessories (order separately)

- Chain Hanger, 36" **HBBS36**
- Safety Chain, 24" **SCKFV**
- Aircraft Cable, 2-toggle, 18" legs, 10' (2 hangers/kit) **MHYHKB10**
- Aircraft Cable, 2 hooks, 18" legs, 10' (2 hangers/kit) **MHYHKB10**

Photometrics

SC Across Definitions:

- Focus (SC < 0.9), i.e. F1X12
- Task (0.9 ≤ SC < 1.2), i.e. T1X12
- Normal (1.2 ≤ SC ≤ 1.4), i.e. N1X12, N1D20
- Spread (1.4 < SC ≤ 1.8), i.e. S1X12
- Broad (1.8 < SC), i.e. B1X12

Consult Factory for Photometrics

