



Catalog Number:

Type:

FHI
T5, T5HO



Large Unibody Heavy Industrial

Specifications

Reflectors - Precision formed, high performance, 95% total reflectance, segmented optics utilizing Alanod MIRO® 4 specular aluminum warranted for 25 years. White reflectors have 93+% total reflectance and are finished with an in-house polyester powder coating system. Reflector optics are available in a wide variety of photometric distributions and spacing criteria.

- Optional upright. Suffix letter "U" to reflector selection.
- Optional heavy gauge reflector material is available for more demanding applications.
- Custom designed reflectors for any specific application, which can increase efficiency or provide desired cutoff for comfort or lighting effect.

Construction - Channel, ends and socket brackets are manufactured from 22-gauge cold rolled steel. Riveted and screwed assembly. Tool-less ballast and wiring access.

- Optional all aluminum construction, specify AL and PAF.
- Custom heavy gauge steel housing.

Lamp Shielding - Lamp shielding options include flat lenses and a radial blade louver/baffle. The flat lenses are installed via a lift & shift method. The radial blade louver/baffle is installed via a lift & shift method and is spring loaded.

Finish - Standard high gloss white baked enamel, pretreated with a 5-stage iron phosphate system.

- Optional premium polyester powder coat finish, utilizing a 7-stage pretreatment process of iron phosphate, a non-chromium sealer and a de-ionized water rinse to provide superior adhesion and corrosion resistance. Specify PAF (powder coat after fabrication). Required for aluminum construction.
- Custom powder coat colors and textures are available by supplying the RAL number or by supplying a finish sample you wish to match.
- Custom galvanized steel finishes are available utilizing steel galvanized before fabrication.

Ballasts - All standard ballasts are electronic, energy saving, thermally protected, Class-P, HPF, non-PCB, Sound Rated A, UL/CSA certified where applicable and comply with © Federal Ballast Law (Public Law 100-357, 1988). Default ballast configuration is for two-lamp ballasts except for 1-lamp fixture.

Electrical - UL listed wire, rated for required temperatures, used throughout. Lamps are secured with rotary locking lamp sockets for ease of relamping and to reduce lamps disconnecting due to vibration or incidental contact. Luminaire is bi-national listed (UL 1598 and CSA C22.2 No. 250.0-00) and is suitable for damp locations.

Mounting - The luminaire may be surface mounted or may be suspended by chain or cable.

- Custom mounting options are available.
- Accessories are available.

Lamps - Factory installed lamps are available in various CRI ratings, temperature colors and rated life..

Warranty - Standard 1-year warranty for the fixture. Ballasts carry manufacturer warranties of 3-5 years, depending on the application.

Custom Requirements - Consult with your SpecLight Agent to develop custom solutions for any application.

Fixture Series	
FHI4	1' x 4'
FHI8	1' x 8'
Lamp Configuration	
2	2-lamp profile
3	3-lamp profile
Lamp Type/Wattage	
28T5	F28T5
54T5HO	F54T5HO
Photometric Distribution	
T1	Task Beam
N1	Normal Beam
S1	Spread
Reflector	
X12	MIRO® 4, 0.012"
X12U	Uplight, MIRO® 4, 0.012"
X20	MIRO® 4, 0.020"
X20U	Uplight, MIRO® 4, 0.020"
D20	*White Powder Coat, 0.020"
Lamp Shielding	
(blank)	No Shield
A12	Pattern 12 Acrylic, 0.110"
ACL	Clear Acrylic, 0.125"
BAF1	White Baffle, 1" Ht, 1.5" Spacing
PCL062	Clear Polycarbonate, 0.062"
Voltage	
120	120V, 60 Hz
277	277V, 60 Hz
MVOLT	120 - 277V, 60 Hz
HVOLT	347 - 480V, 60 Hz
Ballast Configuration	
(blank)	all 2-lamp ballast
1/3	(1) 3-lamp ballast
1/4	(1) 4-lamp ballast
1/41/2	(1) 4-lamp & (1) 2-lamp ballast
Ballast Type	
GEB10PS	1.0 BF, ≤10% THD, PRS
Lamps	
(blank)	No Lamps
LP841	std life, 4100°K, 85 CRI
LPM841	low Hg, std life, 4100°K, 85 CRI
Options	
AL	Aluminum Construction, PAF
PAF	Powder Coat After Fabrication
WG	Wireguard, 11 gauge, PAF
WRP	Plastic Bagged

* Available only with a Normal Beam distribution.



Applications

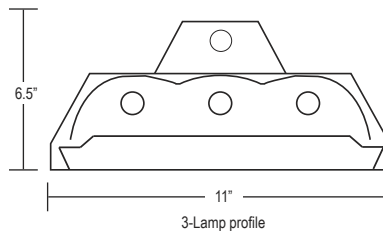
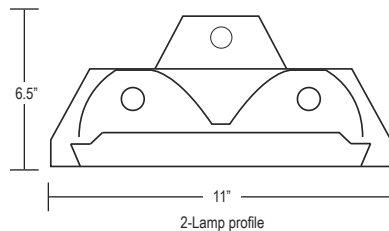
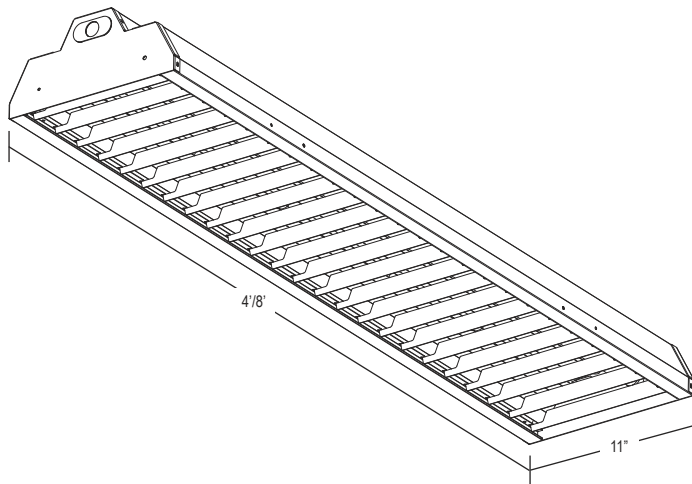
The Unibody construction (one-piece channel with riveted end caps) is much stronger than the inferior channel/hood prevalent in the marketplace. The FHI also features high performance reflectors designed to produce the precise symmetric or asymmetric distribution desired. This seamless integration of housing and reflector make the FHI ideal for commercial and retail applications where appearance and performance are important, as well as for industrial applications where structural integrity and product performance are critical.

Features

High fixture efficiency and optical control deliver the peak candlepower needed to produce desired illumination levels from high mounting heights.

- Instant on/off control
- Improved horizontal and vertical illumination
- 85 CRI (fluorescent) v. 65 CRI (metal halide)
- 95% Lumen maintenance (fluorescent) v. 50% Lumen maintenance (metal halide)
- Long life - up to 20,000 hours
- 80+ Maintained Lumens per watt
- Energy savings of 25% or more vs. HID fixtures

Dimensions



Additional Options (installed on fixture)

- Battery pack
- Motion Sensor
- Photocell
- Cord Sets
- Reloc
- Fusing

Accessories (order separately)

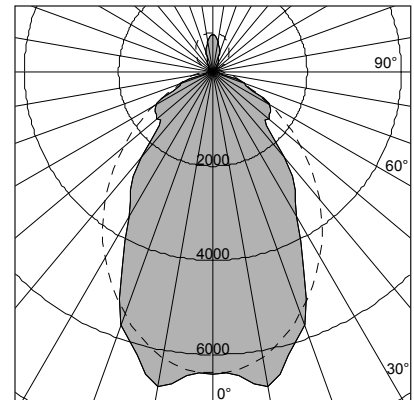
- Chain Hanger, 36" (2 hangers/kit)
- Safety Chain, 24"
- Aircraft Cable, 1-toggle, 10' (2 hangers/kit)

HC36
SCKFV
MHTGB10

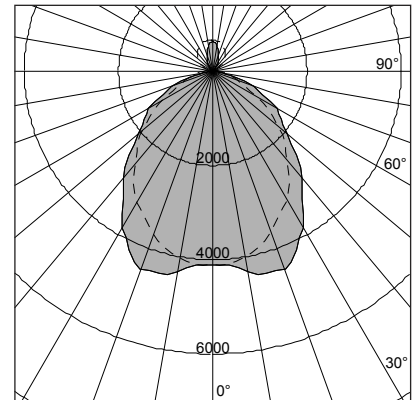
Photometrics

SC Across Definitions:

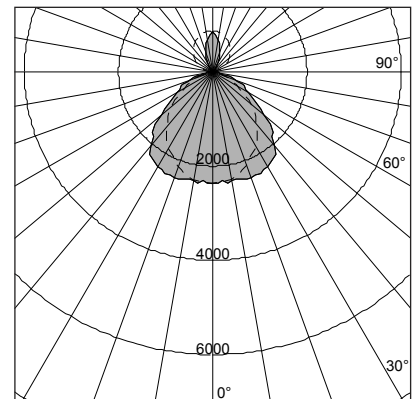
- Focus ($SC < 0.9$), i.e. F1X12
- Task ($0.9 \leq SC < 1.2$), i.e. T1X12
- Normal ($1.2 \leq SC \leq 1.4$), i.e. N1X12, N1D20
- Spread ($1.4 < SC \leq 1.8$), i.e. S1X12
- Broad ($1.8 < SC$), i.e. B1X12



FHI4 3 54T5HO T1X20U BAF1
Test# ALP200191_S
Fixture Efficiency: 84.2%
SC Across: 1.0, SC Along: 1.1



FHI4 3 54T5HO N1X12U BAF1
Test# ALP200200_S
Fixture Efficiency: 83.7%
SC Across: 1.3, SC Along: 1.2



FHI4 2 54T5HO S1X20U BAF1
Test# ALP200279_S
Fixture Efficiency: 82.5%
SC Across: 1.4, SC Along: 1.2

