



Catalog Number:

Type:

FPI
T8

Premium Industrial Channel

Specifications

Reflectors - Precision formed, high performance, 95% total reflectance, segmented optics utilizing Alanod MIRO® 4 specular aluminum warranted for 25 years. Reflector optics are available in a wide variety of photometric distributions and spacing criteria. Suitable for mounting heights up to 25 feet.

- Optional heavy gauge reflector material is available for more demanding applications.
- Optional wireguard attached to reflector. Suffix "W" in reflector selection and select "WG" option.
- Custom designed powder-coated steel or specular aluminum reflectors for any specific application, which can increase efficiency or provide desired cutoff for comfort or lighting effect.

Construction - Channel, ends and socket brackets are manufactured from 22-gauge cold rolled steel. Tool-less ballast and wiring access.

- Custom heavy gauge steel channel.
- Custom all aluminum construction, specify AL and PAF.

Finish - Standard high gloss white baked enamel, pretreated with a 5-stage iron phosphate system.

- Optional premium polyester powder coat finish, utilizing a 7-stage pretreatment process of iron phosphate, a non-chromium sealer and a de-ionized water rinse to provide superior adhesion and corrosion resistance. Specify PAF (powder coat after fabrication). Required for aluminum construction.
- Optional galvanized steel finishes are available utilizing steel galvanized before fabrication.
- Custom powder coat colors and textures are available by supplying the RAL number or by supplying a finish sample you wish to match.

Ballasts - All standard ballasts are electronic, energy saving, thermally protected, Class-P, HPF, non-PCB, Sound Rated A, UL/CSA certified where applicable and comply with © Federal Ballast Law (Public Law 100-357, 1988). Default ballast configuration is for 2-lamp ballasts except for 1-lamp fixtures.

Electrical - UL listed wire, rated for required temperatures, used throughout. Lamps are secured with rotary locking lamp sockets for ease of relamping and to reduce lamps disconnecting due to vibration or incidental contact. Luminaire is bi-national listed (UL 1598 and CSA C22.2 No. 250.0-00) and is suitable for damp locations.

Mounting - The luminaire may be surface mounted or may be suspended by chain or cable.

- Custom mounting options are available.
- Accessories are available.

Warranty - Standard 1-year warranty for the fixture. Ballasts carry manufacturer warranties of 3-5 years, depending on the application.

Custom Requirements - Consult with your SpecLight Agent to develop custom solutions for any application.

Fixture Series *

FPIN4	4', 2.75" Channel
FPIN8	8', 2.75" Channel
FPIM4	4', 4.25" Channel
FPIM8	8', 4.25" Channel

Lamp Configuration

1	1-lamp profile
2	2-lamp profile
3	3-lamp profile

Lamp Type/Wattage

32	F32T8
-----------	-------

Photometric Distribution *

F1	Focus Beam
T1	Task Beam
N1	Normal Beam
S1	Spread Beam
B1	Broad Beam

Reflector

X20	MIRO® 4, 0.020"
X32	MIRO® 4, 0.032"

Voltage

120	120V, 60 Hz
277	277V, 60 Hz
MVOLT	120 - 277V, 60 Hz
347	347V, 60 Hz

Ballast Configuration

(blank)	all 2-lamp ballast
1/3	(1) 3-lamp ballast
1/4	(1) 4-lamp ballast
1/41/2	(1) 4-lamp & (1) 2-lamp ballast
2/3	(2) 3-lamp ballast

Ballast Type

GEB	Normal BF, ≤20% THD, IS
GEBH	High BF, ≤20% THD, IS
GEBL	Low BF, ≤20% THD, IS

Options

AL	Aluminum Construction, PAF
GALV	Galvanized Steel Channel
PAF	Powder Coat After Fabrication
WG	Wireguard, 11 gauge, PAF
WRP	Plastic Bagged

* Available only with proper reflector/channel selection (see reverse).



Applications

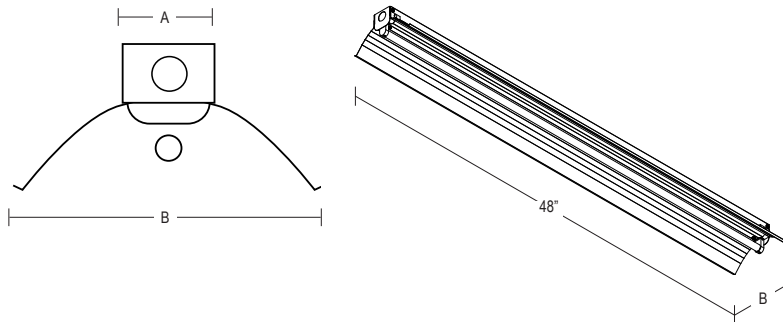
FPIT luminaires are designed to deliver peak optical performance with maximum efficiency and beam control in industrial, commercial and institutional applications with mounting height up to 25'. Using high performance optics can reduce and the number of fixtures required and maximize energy savings.

Features

High fixture efficiency and optical control deliver the peak candlepower needed to produce desired illumination levels from high mounting heights.

- Instant on/off control
- Improved horizontal and vertical illumination
- Long life - up to 30,000 hours
- 90+ Maintained Lumens per watt
- Energy savings of 50% or more vs. HID or traditional fluorescent fixtures

Dimensions



FPI Reflector Options

One Lamp T8

Fixture Nomenclature	Distribution	Channel Width (A)	Reflector Width (B)	Test Number
FPIN	F1 - Focus	2.75"	10.0"	T11304 S.ies
FPIN	T1 - Task	2.75"	6.75"	T12483 S.ies
FPIN	N1 - Normal	2.75"	7.25"	T12182 S.ies
FPIN	S1 - Spread	2.75"	6.75"	T11461 S.ies
FPIM	B1 - Broad	4.25"	10.25"	T11305 S.ies

Two Lamp T8

FPIM	T1 - Task	4.25"	8.62"	T12186 S.ies
FPIM	N1 - Normal	4.25"	8.5"	T12185 S.ies
FPIM	S1 - Spread	4.25"	7.5"	T11272 S.ies
FPIM	B1 - Broad	4.25"	12.62"	T11306 S.ies

Three Lamp T8

FPIM	T1 - Task	4.25"	8.62"	T12177 S.ies
FPIM	N1 - Normal	4.25"	8.5"	T12176 S.ies

Additional Options (installed on fixture)

- Battery pack
- Cord Sets
- Reloc
- Fusing

Accessories (order separately)

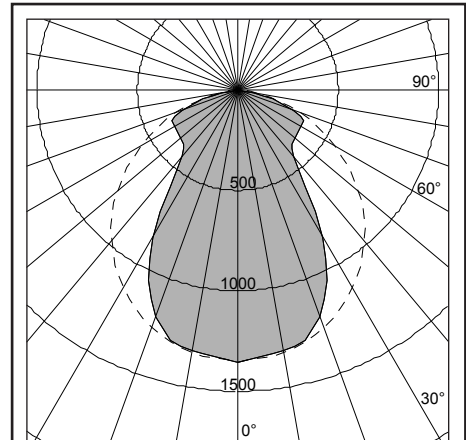
- Chain Hanger, 36" (2 hangers/kit)
- Safety Chain, 24"
- Aircraft Cable, 1-toggle, 10' (2 hangers/kit)

HC36
SCKFV
MHTGB10

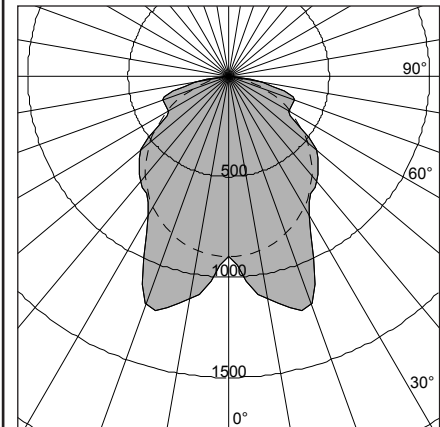
Photometrics

SC Across Definitions:

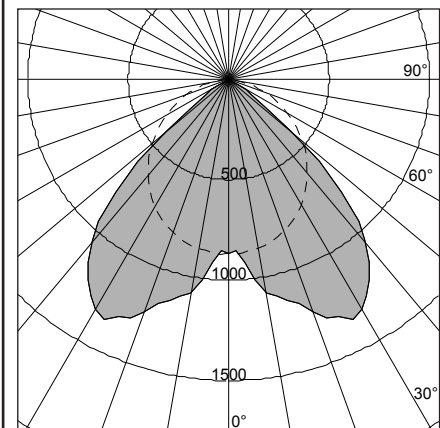
- Focus (SC < 0.9), i.e. F1X12
- Task (0.9 ≤ SC < 1.2), i.e. T1X12
- Normal (1.2 ≤ SC ≤ 1.4), i.e. N1X12, N1D20
- Spread (1.4 < SC ≤ 1.8), i.e. S1X12
- Broad (1.8 < SC), i.e. B1X12



FPIN4 1 32 T1X20
Test #T12483_S
Fixture Efficiency: 95.2%
SC Across: 1.0, SC Along: 1.3



FPIN4 1 32 N1X20
Test #T12182_S
Fixture Efficiency: 94.9%
SC Across: 1.3, SC Along: 1.2



FPIN4 1 32 S1X20
Test #T11461_S
Fixture Efficiency: 94.3%
SC Across: 1.7, SC Along: 1.2

