



Catalog Number:

Type:

**FPI  
T5HO**



## Premium Industrial Channel

### Specifications

**Reflectors** - Precision formed, high performance, 95% total reflectance, segmented optics utilizing Alanod MIRO® 4 specular aluminum warranted for 25 years. Reflector optics are available in a wide variety of photometric distributions and spacing criteria. Suitable for mounting heights up to 25 feet.

- Optional heavy gauge reflector material is available for more demanding applications.
- Optional wireguard attached to reflector. Suffix "W" in reflector selection and select "WG" option.
- Custom designed powder-coated steel or specular aluminum reflectors for any specific application, which can increase efficiency or provide desired cutoff for comfort or lighting effect.

**Construction** - Channel, ends and socket brackets are manufactured from 22-gauge cold rolled steel. Tool-less ballast and wiring access.

- Custom heavy gauge steel channel.
- Custom all aluminum construction, specify AL and PAF.

**Finish** - Standard high gloss white baked enamel, pretreated with a 5-stage iron phosphate system.

- Optional premium polyester powder coat finish, utilizing a 7-stage pretreatment process of iron phosphate, a non-chromium sealer and a de-ionized water rinse to provide superior adhesion and corrosion resistance. Specify PAF (powder coat after fabrication). Required for aluminum construction.
- Optional galvanized steel finishes are available utilizing steel galvanized before fabrication.
- Custom powder coat colors and textures are available by supplying the RAL number or by supplying a finish sample you wish to match.

**Ballasts** - All standard ballasts are electronic, energy saving, thermally protected, Class-P, HPF, non-PCB, Sound Rated A, UL/CSA certified where applicable and comply with © Federal Ballast Law (Public Law 100-357, 1988). Default ballast configuration is for 2-lamp ballasts except for 1-lamp fixtures.

**Electrical** - UL listed wire, rated for required temperatures, used throughout. Lamps are secured with rotary locking lamp sockets for ease of relamping and to reduce lamps disconnecting due to vibration or incidental contact. Luminaire is bi-national listed (UL 1598 and CSA C22.2 No. 250.0-00) and is suitable for damp locations.

**Mounting** - The luminaire may be surface mounted or may be suspended by chain or cable.

- Custom mounting options are available.
- Accessories are available.

**Warranty** - Standard 1-year warranty for the fixture. Ballasts carry manufacturer warranties of 3-5 years, depending on the application.

**Custom Requirements** - Consult with your SpecLight Agent to develop custom solutions for any application.

### Fixture Series \*

<b>FPIT4</b>	4', 2.00" Channel
<b>FPIT8</b>	8', 2.00" Channel
<b>FPIN4</b>	4', 2.75" Channel
<b>FPIN8</b>	8', 2.75" Channel
<b>FPIM4</b>	4', 4.25" Channel
<b>FPIM8</b>	8', 4.25" Channel

### Lamp Configuration

<b>1</b>	1-lamp profile
<b>2</b>	2-lamp profile
<b>3</b>	3-lamp profile

### Lamp Type/Wattage

<b>54T5HO</b>	F54T5HO
---------------	---------

### Photometric Distribution \*

<b>F1</b>	Focus Beam
<b>N1</b>	Normal Beam
<b>S1</b>	Spread Beam

### Reflector

<b>X20</b>	MIRO® 4, 0.020"
<b>X32</b>	MIRO® 4, 0.032"

### Voltage

<b>120</b>	120V, 60 Hz
<b>277</b>	277V, 60 Hz
<b>MVOLT</b>	120 - 277V, 60 Hz
<b>HVOLT</b>	347 - 480V, 60 Hz

### Ballast Configuration

<b>(blank)</b>	all 2-lamp ballast
<b>1/3</b>	(1) 3-lamp ballast
<b>1/4</b>	(1) 4-lamp ballast
<b>1/4 1/2</b>	(1) 4-lamp & (1) 2-lamp ballast

### Ballast Type

<b>GEB10PS</b>	1.0 BF, ≤10% THD, PRS
----------------	-----------------------

### Options

<b>AL</b>	Aluminum Construction, PAF
<b>GALV</b>	Galvanized Steel Channel
<b>PAF</b>	Powder Coat After Fabrication
<b>WG</b>	Wireguard, 11 gauge, PAF
<b>WRP</b>	Plastic Bagged

\* Available only with proper reflector/channel selection (see reverse).



## Applications

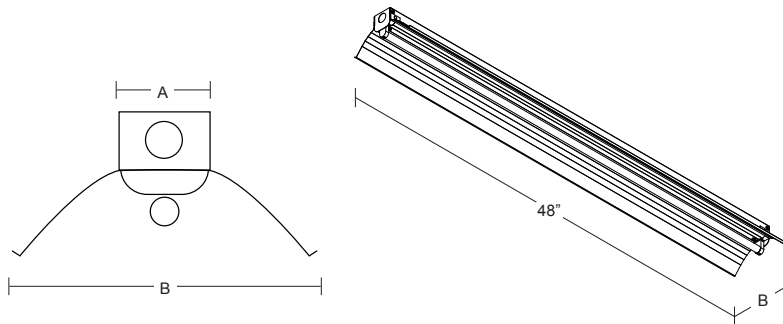
FPIT luminaires are designed to deliver peak optical performance with maximum efficiency and beam control in industrial, commercial and institutional applications with mounting height up to 25'. Using high performance optics can reduce and the number of fixtures required and maximize energy savings.

## Features

High fixture efficiency and optical control deliver the peak candlepower needed to produce desired illumination levels from high mounting heights.

- Instant on/off control
- Improved horizontal and vertical illumination
- Long life - up to 20,000 hours
- 90+ Maintained Lumens per watt
- Energy savings of 25% or more vs. HID fixtures

## Dimensions



### FPI Reflector Options

#### One Lamp T5

Fixture Nomenclature	Distribution	Channel Width (A)	Reflector Width (B)	Test Number
FPIT	F1 - Focus	2"	6.75"	ALP200244_S.ies
FPIT	N1 - Normal	2"		ALP200229_S.ies
FPIN	F1 - Focus	2.75"	6.9"	
FPIN	N1 - Normal	2.75"	5.8"	

#### Two Lamp T5

FPIM	F1 - Focus	4.25"	7.6"	
FPIM	N1 - Normal	4.25"	7.3"	
FPIM	S1 - Spread	4.25"	7.2"	ALP200273_S.ies
FPIN	N1 - Normal	2.75"	6.2"	
FPIN	T1 - Task	2.75"	7.1"	

#### Three lamp T5

FPIM	N1 - Normal	4.25"	8.0"	
FPIM	S1 - Spread	4.25"	7.15"	

### Additional Options (installed on fixture)

- Battery pack
- Cord Sets
- Reloc
- Fusing

### Accessories (order separately)

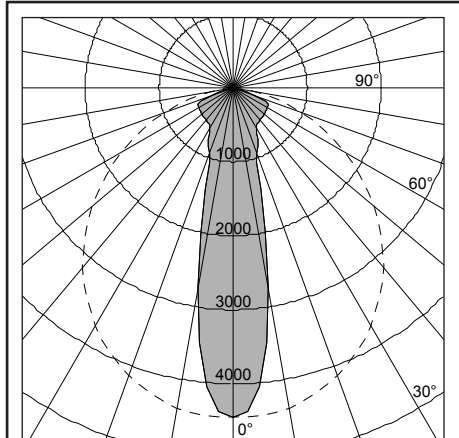
- Chain Hanger, 36" (2 hangers/kit)
- Safety Chain, 24"
- Aircraft Cable, 1-toggle, 10' (2 hangers/kit)

**HC36**  
**SCKFV**  
**MHTGB10**

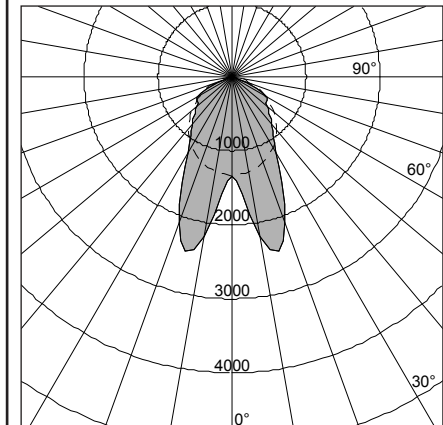
## Photometrics

SC Across Definitions:

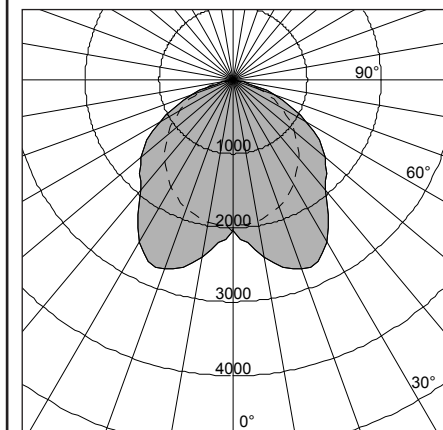
- Focus ( $SC < 0.9$ ), i.e. F1X12
- Task ( $0.9 \leq SC < 1.2$ ), i.e. T1X12
- Normal ( $1.2 \leq SC \leq 1.4$ ), i.e. N1X12, N1D20
- Spread ( $1.4 < SC \leq 1.8$ ), i.e. S1X12
- Broad ( $1.8 < SC$ ), i.e. B1X12



FPIT 1 54T5HO F1X20  
Test #ALP200244\_S  
Fixture Efficiency: 104.1%  
SC Across: 0.4, SC Along: 1.2



FPIT 1 54T5HO N1X20  
Test #ALP200229\_S  
Fixture Efficiency: 95.2%  
SC Across: 1.2, SC Along: 1.2



FPIT 2 54T5HO S1X20  
Test #ALP200273\_S  
Fixture Efficiency: 82.4%  
SC: 1.5, SC Along: 1.2