



Catalog Number:

Type:

FCW

Surface Mount Corridor & Stairwell Fixture



Surface Mount Corridor and Stairwell Fixture

Specifications

Construction - Channel, ends and socket brackets are manufactured from 22-gauge cold rolled steel.
 • Optional 20 gauge construction, specify 20GA.

Finish - Standard paint after fabrication premium polyester powder coat finish, utilizing a 7-stage pretreatment process of iron phosphate, a non-chromium sealer and a de-ionized water rinse to provide superior adhesion and corrosion resistance.

Ballasts - All standard ballasts are electronic, energy saving, thermally protected, Class-P, HPF, non-PCB, Sound Rated A, UL/CSA certified where applicable and comply with © Federal Ballast Law (Public Law 100-357, 1988). Default ballast configuration for two-lamp ballasts.

Electrical - UL listed wire, rated for required temperatures, used throughout. Linear lamps are secured with rotary locking lamp sockets for ease of relamping and to reduce lamps disconnecting due to vibration or incidental contact and is suitable for damp locations.

Lamp Shielding - Acrylic prismatic diffuser.

Mounting - Designed for ceiling or wall surface mount.
 • UL listed for emergency battery pack **ONLY** when ceiling mounted.

Warranty - Standard 1-year warranty for the fixture. Ballasts carry manufacturer warranties of 3-5 years, depending on the application.

Fixture Series	
FCW2	2'
FCW4	4'
FCW8	8'
Lamp Configuration	
1	1-lamp profile
2	2-lamp profile
Lamp Type/Wattage	
17	FO17T8
32	FO32T8
Voltage	
120	120V, 60 Hz
277	277V, 60 Hz
Ballast Configuration	
(blank)	all 2-lamp ballast
1/4	(1) 4-lamp ballast
Ballast Type	
GEB10PS	Normal BF, ≤10% THD, PS
GEB10PSH	High BF, ≤10% THD, PS
GEB10PSL	Low BF, ≤10% THD, PS
Night Light	
(blank)	No Night Light
1CF9	9W Compact Fluorescent
Sensor Option**	
<i>All Lamps On/Off</i>	
SNUTW	Ultrasonic, wall mt
SNREW1*	360° Infrared ceiling mt, <25'
SNSEW1*	360° Infrared ceiling mt, >25'
<i>Night Light Stays On</i>	
SNUTZW	Ultrasonic, wall mt
SNREZW1*	360° Infrared ceiling mt, <25'
SNSEZW1*	360° Infrared ceiling mt, >25'

* SNS for mounting heights above 25', SNR for mounting heights below 25'.

** Sensors wired to toggle between night light and normal when used with 1CF9 option.



Applications

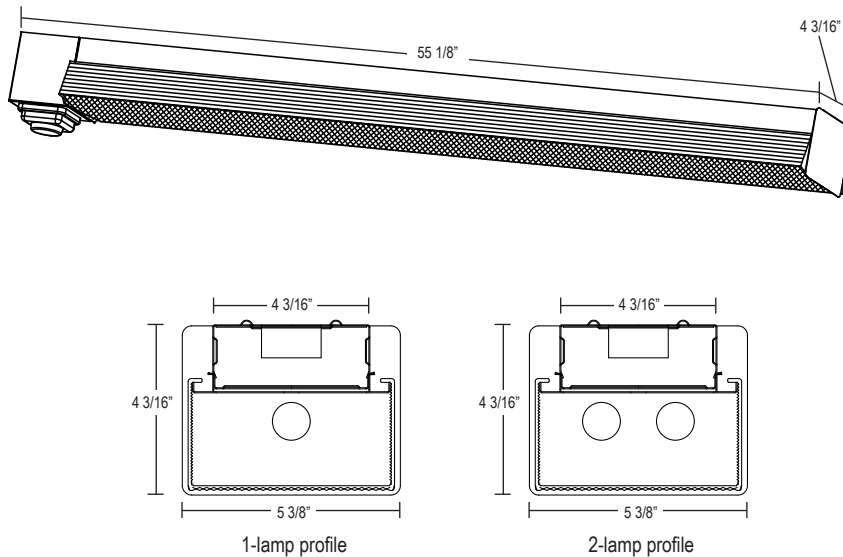
SpecLight's FCW series luminaires are designed for maximum energy efficiency for corridors, stairwells or hospitality environments. The integral motion sensor and compact fluorescent night light option provide greater specification flexibility.

Features

High fixture efficiency and optical control deliver the peak candlepower needed to produce non-glare illumination levels from low mounting heights.

- Improved horizontal and vertical illumination
- Long-life - up to 30,000 hours

Dimensions



Photometrics

SC Across Definitions:

- Focus (SC < 0.9), i.e. F1X20
- Task (0.9 ≤ SC < 1.2), i.e. T1X20
- Normal (1.2 ≤ SC ≤ 1.4), i.e. N1X20, N1D20
- Spread (1.4 < SC ≤ 1.8), i.e. S1X20
- Broad (1.8 < SC), i.e. B1X20

Consult Factory for Photometrics

Additional Options (installed on fixture)

- Battery Pack*
- Cord Sets

* Available only when fixture is ceiling mounted.

Accessories (order separately)

- Chain Hanger, 36" (2 hangers/kit) **HC36**



2011 W. Rundberg Lane • Austin, TX 78758 • 512.832.0025 • FAX 512.873.0797
www.speclightsolutions.com • info@speclightsolutions.com

U.S. Patent Pending

SL10300.01