



Catalog Number:

Type:

**FFL**  
**T8**



## Suspended Accent Fluorescent

### Specifications

**Reflectors** - Precision formed, high performance, 95% total reflectance, segmented optics utilizing Alanod MIRO® 4 specular aluminum warranted for 25 years.

**Construction** - Channel, ends and socket brackets are manufactured from 22-gauge cold rolled steel. Riveted and screwed assembly. Tool-less ballast and wiring access.

- Optional all aluminum construction, specify AL.
- Custom heavy gauge steel housing.

**Finish** - Premium polyester powder coat after finish, utilizing a 7-stage pretreatment process of iron phosphate, a non-chromium sealer and a de-ionized water rinse to provide superior adhesion and corrosion resistance.

- Custom powder coat colors and textures are available by supplying the RAL number or by supplying a finish sample you wish to match.

**Ballasts** - All standard ballasts are electronic, energy saving, thermally protected, Class-P, HPF, non-PCB, Sound Rated A, UL/CSA certified where applicable and comply with © Federal Ballast Law (Public Law 100-357, 1988). Default ballast configuration is for two-lamp ballasts except for 1-lamp fixture.

**Electrical** - UL listed wire, rated for required temperatures, used throughout. Lamps are secured with rotary locking lamp sockets for ease of relamping and to reduce lamps disconnecting due to vibration or incidental contact. Luminaire is bi-national listed (UL 1598 and CSA C22.2 No. 250.0-00) and is suitable for damp locations.

**Mounting** - The luminaire may be suspended by cable. Downlight-only version can be surface mounted.

- Custom mounting options are available.
- Accessories are available.

**Lamps** - Factory installed lamps are available in various CRI ratings, temperature colors and rated life.

**Warranty** - Standard 1-year warranty for the fixture. Ballasts carry manufacturer warranties of 3-5 years, depending on the application.

**Custom Requirements** - Consult with your SpecLight Agent to develop custom solutions for any application.

Fixture Series	
FFL4	4'
FFL8	8'
Lamp Configuration	
2	2-lamp profile
2D/1U	2-lamp down /1-lamp up profile
Lamp Type/Wattage	
32	F32T8
Photometric Distribution	
N1	Normal Beam
Reflector	
X12	MIRO® 4, 0.012"
Lamp Shielding	
BAF75	Baffle, .75" Ht, 1.5" Spacing
PCL125	Clear Polycarbonate, 0.125"
Voltage	
120	120V, 60 Hz
277	277V, 60 Hz
MVOLT	120 - 277V, 60 Hz
347	347, 60 Hz
Ballast Configuration *	
(blank)	all 2-lamp ballast
1/3	(1) 3-lamp ballast
1/4	(1) 4-lamp ballast
2/3	(2) 3-lamp ballast
1/41/2	(1) 4-lamp & (1) 2-lamp ballast
Ballast Type	
GEB	Normal BF, ≤20% THD, IS
GEBH	High BF, ≤20% THD, IS
GEBL	Low BF, ≤20% THD, IS
Lamps	
(blank)	No Lamps
LP841	std life, 4100°K, 85CRI
LPM841	low Hg, std life, 4100°K, 85CRI
LP841XS	ext life, 4100°K, 85CRI
LPM841XS	low Hg, ext life, 4100°K, 85CRI
Finish	
SBK	Black Powder Coat
Options	
AL	Aluminum Construction
WRP	Plastic Bagged

\* Pick appropriate Ballast Configuration for total lamps in fixture



## Applications

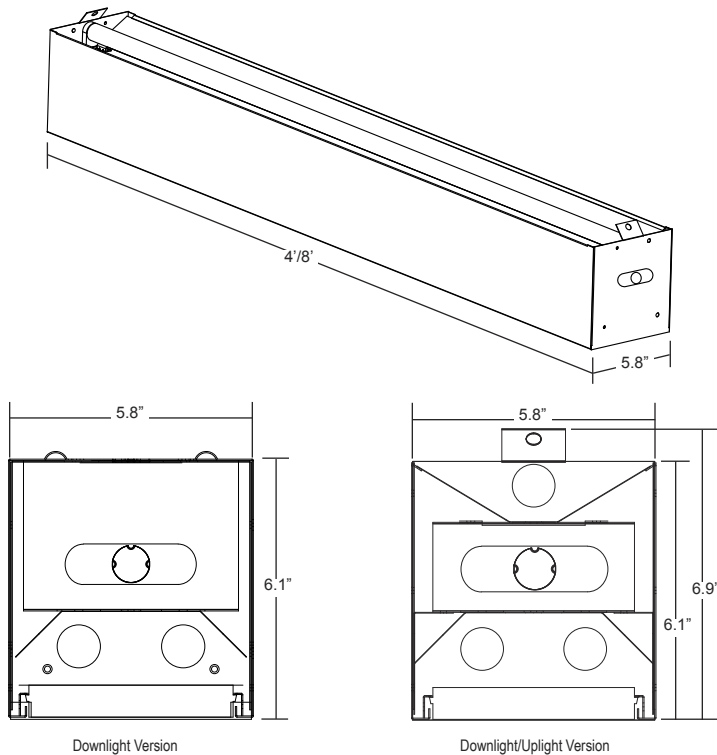
SpecLight's FFL suspended accent fixture is designed to provide high efficiency accent lighting of interior spaces. Typical installations include grocery and retail displays, multi-purpose rooms, classrooms and canopies. The fixture is suitable for individual mounting or can be joined together for continuous row mounting.

## Features

High fixture efficiency and optical control deliver the peak candlepower needed to produce desired illumination levels for accent lighting.

- Instant on/off control
- Improved horizontal and vertical illumination
- 85 CRI (fluorescent) v. 65 CRI (metal halide)
- 90%+ Lumen Maintenance (fluorescent) v. 50% Lumen Maintenance (metal halide)
- Long life - up to 24,000 hours
- Higher maintained Lumens per watt

## Dimensions



## Additional Options (installed on fixture)

- Battery Pack
- Cord Sets
- Reloc
- Plug-In Wiring (For Continuous Rows)
- Fusing

## Accessories (order separately)

- Aircraft Cable, 2-toggle, 18" legs, 10' (2 hangers/kit) **MHYTGB10**

## Photometrics

SC Across Definitions:

- Focus ( $SC < 0.9$ ), i.e. F1X12
- Task ( $0.9 \leq SC < 1.2$ ), i.e. T1X12
- Normal ( $1.2 \leq SC \leq 1.4$ ), i.e. N1X12, N1D20
- Spread ( $1.4 < SC \leq 1.8$ ), i.e. S1X12
- Broad ( $1.8 < SC$ ), i.e. B1X12

Consult Factory For Photometrics

