

FEATURES:

HOUSING:

- 22 GAUGE STEEL POWDER-COATED BLACK AFTER FABRICATION.

LAMPS:

- T5HO IN 2-LAMP PATTERN.

ELECTRICAL:

- ELECTRONIC, PROGRAM-START BALLAST. <10% THD, STANDARD.
- "IN" AND "OUT" UNION 20-2P & GMC STAGE PIN CORD SETS.

WIRE GUARD:

- 10 GAUGE STEEL WIRE GUARD, POWDER-COATED WHITE.

MOUNTING:

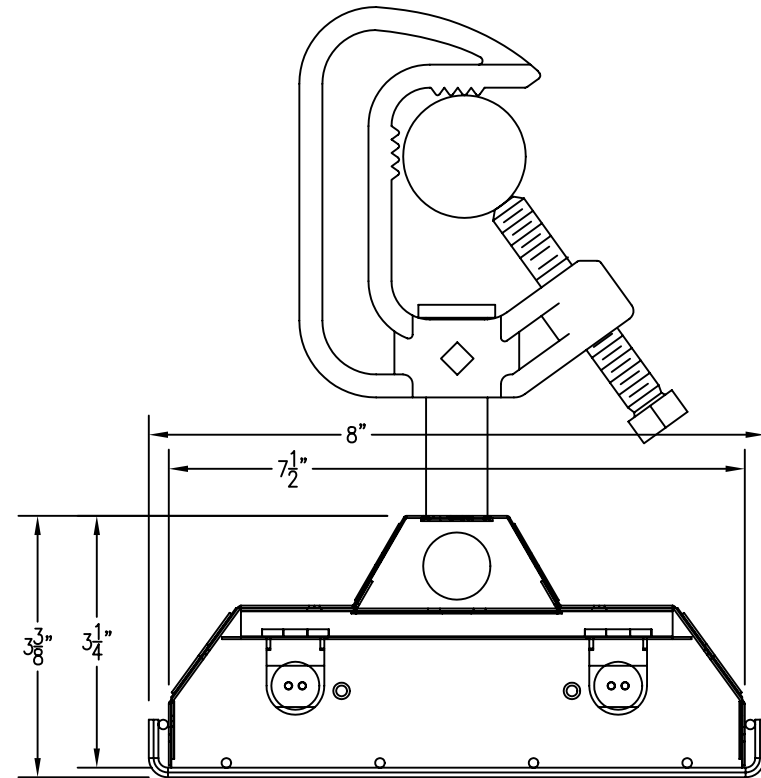
- C-CLAMP.

REFLECTOR:

- HIGH PERFORMANCE MIRO-4, 95% REFLECTIVE, 92% SPECULAR.
- 25 YEAR WARRANTY.

OPTIONS:

- LAMPS FACTORY INSTALLED.



MG5 2 54T5HO 120 GEB10PS AMP1181

	SPECLIGHT RESEARCH AND DEVELOPMENT CENTER AUSTIN, TEXAS	An AcuityBrands™ Company <small>© 2003 Acuity Lighting Group, Inc.</small>		
UNLESS OTHERWISE SPECIFIED .XXX ±.005 DIMENSIONS ARE IN INCHES .XX ±.02 TOLERANCES ARE: ANG ±2°		TITLE SUS05 - MG5 SERIES		SHEET 1 OF 1
DWN BY: TAM DATE: 11/10/2004 PMD: - DATE: - MATERIAL: SEE NOTES		DWG NO: -		

SP09711.00