

**FEATURES:**

**HOUSING:**

- 22 GAUGE STEEL POWDER-COATED BLACK AFTER FABRICATION.

**LAMPS:**

- T5HO IN 2-LAMP PATTERN.

**ELECTRICAL:**

- ELECTRONIC, PROGRAM-START BALLAST. <10% THD, STANDARD.
- "IN" AND "OUT" UNION 20-2P & GMC STAGE PIN CORD SETS.

**WIRE GUARD:**

- 10 GAUGE STEEL WIRE GUARD, POWDER-COATED WHITE.

**MOUNTING:**

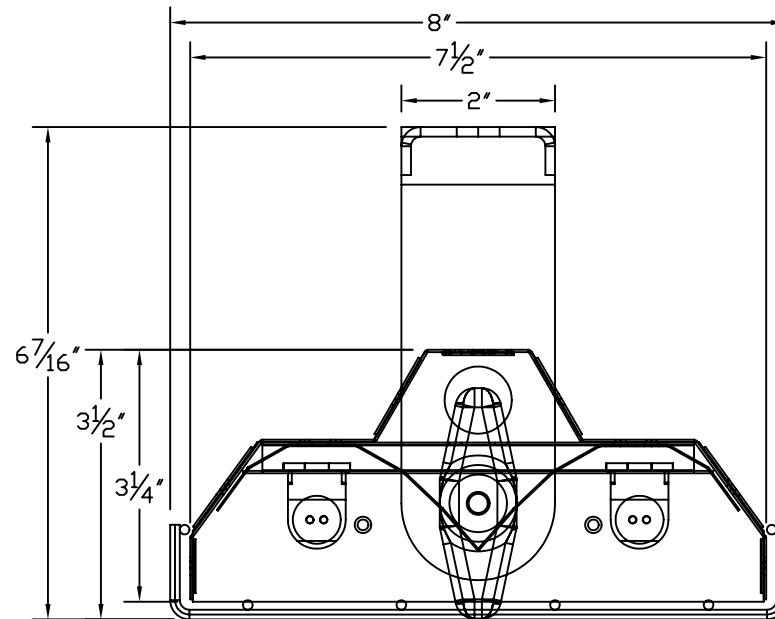
- C-CLAMP ON YOKE ARM.

**REFLECTOR:**

- HIGH PERFORMANCE MIRO-4, 95% REFLECTIVE, 92% SPECULAR.
- 25 YEAR WARRANTY.

**OPTIONS:**

- LAMPS FACTORY INSTALLED.



MG5 2 54T5HO T1X12 120 BK YK AMP1305

	<p align="center"><b>SPECLIGHT</b> RESEARCH AND DEVELOPMENT CENTER AUSTIN, TEXAS</p>	<p align="center">An <b>AcuityBrands™</b> Company <small>© 2003 Acuity Lighting Group, Inc.</small></p>	
<p><small>THIS PRINT IS THE CONFIDENTIAL PROPERTY OF SPECLIGHT AND IS LOANED SUBJECT TO RETURN UPON DEMAND AND UPON EXPRESS CONDITION THAT IT WILL NOT BE DISCLOSED TO ANY THIRD PARTY WITHOUT THE PRIOR WRITTEN PERMISSION OF SPECLIGHT, OR USED DIRECTLY OR INDIRECTLY IN ANY WAY DETRIMENTAL TO THE INTEREST OF SPECLIGHT.</small></p>		<p><small>UNLESS OTHERWISE SPECIFIED .XXX ±.005 DIMENSIONS ARE IN INCHES .XX ±.02 TOLERANCES ARE: ANG ±2°</small></p> <p><small>DWN BY: TAM DATE: 11/10/2004 PMD: - DATE: - MATERIAL: SEE NOTES</small></p>	<p><small>TITLE</small> <b>SUS05 - MG5 SERIES YOKE ARM</b></p> <p><small>DWG NO</small> - <small>SHEET</small> 1 <small>OF</small> 1 <small>REV</small></p>

SP09712.00