



Catalog Number:

Type:

FPT24
T8



High Lumen Parabolic Recessed Troffer

Specifications

Reflectors - Precision formed, high performance, 95% total reflectance, segmented optics utilizing Alanod MIRO® 4 specular aluminum warranted for 25 years.

- Optional heavy gauge reflector material is available for more demanding applications.

Construction - 22 gauge cold rolled steel housing is rigid and fully assembled with rivets. Access plate provided for easy wiring access.

- Optional 20 gauge NY City Code housing available. Specify NYC.

Lamp Shielding - Lamp shielding options are provided with 3" deep parabolic louver with black reveal around door. Door is held in place with hinges and two painted opposing rotary cam latches.

Finish - Standard high gloss white baked enamel, pretreated with a 5-stage iron phosphate system.

- Optional premium polyester powder coat finish, utilizing a 7-stage pretreatment process of iron phosphate, a non-chromium sealer and a de-ionized water rinse to provide superior adhesion and corrosion resistance. Specify PAF (powder coat after fabrication).

Ballasts - All standard ballasts are electronic, energy saving, thermally protected, Class-P, HPF, non-PCB, Sound Rated A, UL/CSA certified where applicable and comply with © Federal Ballast Law (Public Law 100-357, 1988). Default ballast configuration is for two-lamp ballasts except for 1-lamp fixture.

Electrical - UL listed wire, rated for required temperatures, used throughout. Lamps are secured with push button locking lamp holders for ease of relamping and to reduce lamps disconnecting due to vibration or incidental contact. Luminaire is bi-national listed (UL 1598 and CSA C22.2 No. 250.0-00) and is suitable for damp locations.

Mounting - The luminaire is designed for mounting in a standard NEMA G grid ceiling.

- Custom mounting options are available.
- Accessories are available.

Lamps - Factory installed lamps are available in various CRI ratings, temperature colors and rated life.

Warranty - Standard 1-year warranty for the fixture. Ballasts carry manufacturer warranties of 3-5 years, depending on the application.

Custom Requirements - Consult with your SpecLight Agent to develop custom solutions for any application.

Fixture Series	
FPT24	2' x 4'
Lamp Configuration	
2	2-lamp profile
3	3-lamp profile
4	4-lamp profile
Lamp Type/Wattage	
32	F32T8
Photometric Distribution	
N1	Normal Beam
S1	Spread Beam
Reflector	
X12	MIRO® 4, 0.012"
X20	MIRO® 4, 0.020"
Lamp Shielding	
16LD	* 16 Cell, low iridescent anodized semi-specular silver
18LD	** 18 Cell, low iridescent anodized semi-specular silver
32LD	*** 32 Cell, low iridescent anodized semi-specular silver
Voltage	
120	120V, 60 Hz
277	277V, 60 Hz
MVOLT	120 - 277V, 60 Hz
347	347V, 60 Hz
Ballast Configuration	
(blank)	all 2-lamp ballast
1/3	(1) 3-lamp ballast
1/4	(1) 4-lamp ballast
Ballast Type	
GEB	Normal BF, ≤20% THD, IS
GEBH	High BF, ≤20% THD, IS
GEBL	Low BF, ≤20% THD, IS
Lamps	
(blank)	No Lamps
LP841	std life, 4100°K, 85 CRI
Options	
NYC	20 gauge, NY City Code
PAF	Powder Coat After Fabrication
PWS1836	Pre-wire (whip), 3/8", 18/3, 6'

* Available only with a 2-lamp profile.
 ** Available only with a 3-lamp profile.
 *** Available only with a 4-lamp profile.



Applications

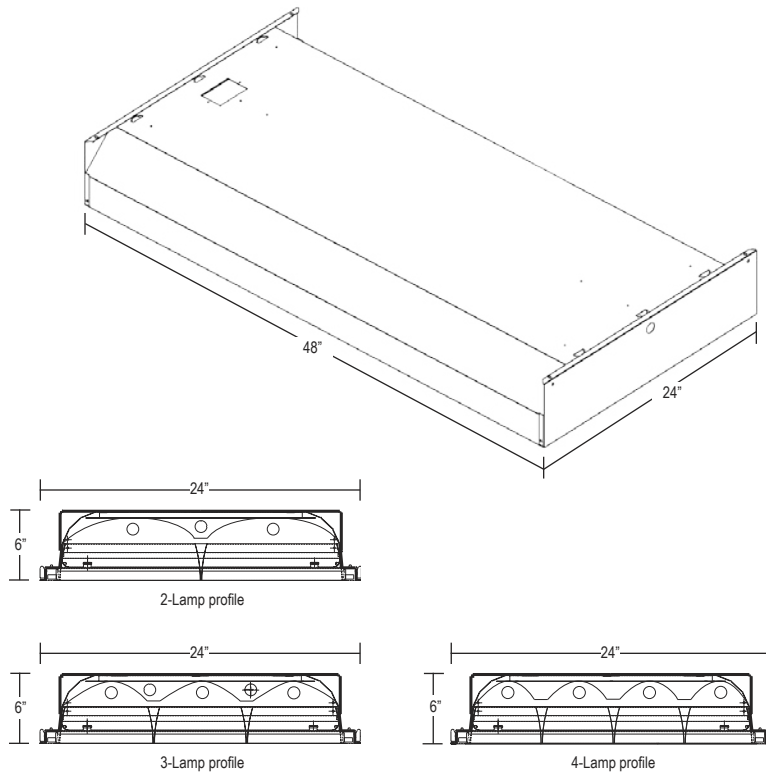
SpecLight's FPT series high lumen parabolic recessed troffer is designed to deliver maximum efficiency and lighting control. Precise photometric distribution provides the high performance general lighting required in offices, schools, hospitals and retail interiors.

Features

The FPT series of luminaires provide the high fixture efficiency and optical control needed to deliver peak candlepower, producing desired illumination levels from high mounting heights.

- Fully specular luminaire interior minimizes luminaire brightness
- Precision formed reflector system produces distribution appropriate for various task requirements

Dimensions



Additional Options (installed on fixture)

- Battery Pack
- Reloc
- Fusing
- Whips

Accessories (order separately)

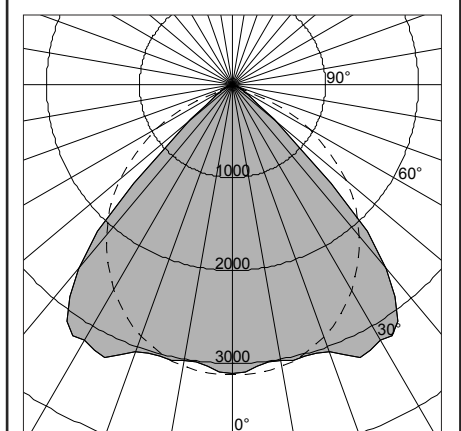
- Drywall Grid Adapter

DGA24

Photometrics

SC Across Definitions:

- Focus ($SC < 0.9$), i.e. F1X12
- Task ($0.9 \leq SC < 1.2$), i.e. T1X12
- Normal ($1.2 \leq SC \leq 1.4$), i.e. N1X12, N1D20
- Spread ($1.4 < SC \leq 1.8$), i.e. S1X12
- Broad ($1.8 < SC$), i.e. B1X12



FPT24 3 32 S1X12 18LD
Test #ALP200177_S
Fixture Efficiency: 76.4%
SC Across: 1.5, SC Along: 1.1