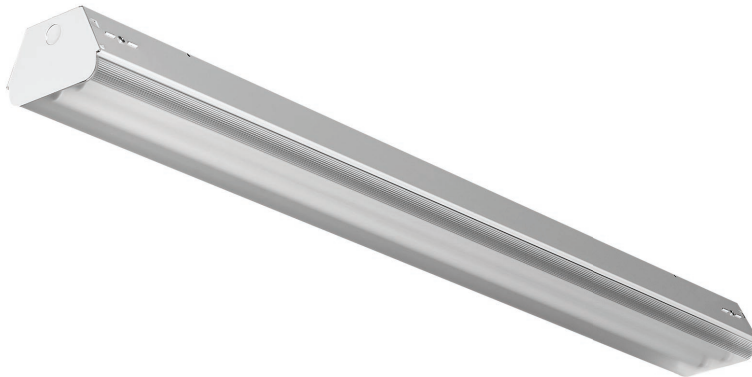




Catalog Number:

Type:

FVF
T5HO



Narrow Wraparound

Specifications

Reflectors - Precision formed, high performance, 95% total reflectance, segmented optics utilizing Alanod MIRO® 4 specular aluminum warranted for 25 years. White reflectors have 93+% total reflectance and are finished with an in-house polyester powder coating system.

Construction - Channel, ends and socket brackets are manufactured from 22-gauge cold rolled steel. Riveted and screwed assembly. Tool-less ballast and wiring access. Prismatic wraparound acrylic lens contains 50 percent DR acrylic for resistance to breakage. A linear fresnel ribbing provides a small amount of uplight for reduced contrast. The bottom of the lens is clear for maximum transmittance.

- Optional all aluminum construction, specify AL and PAF.
- Custom heavy gauge steel housing.

Finish - Standard high gloss white baked enamel, pretreated with a 5-stage iron phosphate system.

- Optional premium polyester powder coat finish, utilizing a 7-stage pretreatment process of iron phosphate, a non-chromium sealer and a de-ionized water rinse to provide superior adhesion and corrosion resistance. Specify PAF (powder coat after fabrication). Required for aluminum construction.
- Custom powder coat colors and textures are available by supplying the RAL number or by supplying a finish sample you wish to match.
- Custom galvanized steel finishes are available utilizing steel galvanized before fabrication.

Ballasts - All standard ballasts are electronic, energy saving, thermally protected, Class-P, HPF, non-PCB, Sound Rated A, UL/CSA certified where applicable and comply with © Federal Ballast Law (Public Law 100-357, 1988). Default ballast configuration is for 2-lamp ballasts except for 1-lamp fixtures.

Electrical - UL listed wire, rated for required temperatures, used throughout. Lamps are secured with rotary locking lamp sockets for ease of relamping and to reduce lamps disconnecting due to vibration or incidental contact. Luminaire is bi-national listed (UL 1598 and CSA C22.2 No. 250.0-00) and is suitable for damp locations.

Mounting - The luminaire may be surface mounted or may be suspended by chain or cable.

- Custom mounting options are available.
- Accessories are available.

Warranty - Standard 1-year warranty for the fixture. Ballasts carry manufacturer warranties of 3-5 years, depending on the application.

Custom Requirements - Consult with your SpecLight Agent to develop custom solutions for any application.

Fixture Series	
FVF4	4'
FVF8	8'
Lamp Configuration	
1	1-lamp profile
Lamp Type/Wattage	
54T5HO	F54T5HO
Photometric Distribution	
(blank)	* Normal Beam
T1	Task Beam
S1	Spread Beam
Reflector	
(blank)	* No Reflector
X12	MIRO® 4, 0.012"
Voltage	
120	120V, 60 Hz
277	277V, 60 Hz
MVOLT	120 - 277V, 60 Hz
HVOLT	347 - 480V, 60 Hz
Ballast Configuration	
(blank)	all 2-lamp ballast
2/1	(2) 1-lamp ballast
Ballast Type	
GEB10PS	1.0 BF, ≤10% THD, PRS
Lamps	
(blank)	No Lamps
LP841	std life, 4100°K, 85 CRI
LPM841	low Hg, std life, 4100°K, 85 CRI
Options	
AL	Aluminum Construction, PAF
PAF	Powder Coat After Fabrication
WRP	Plastic Bagged

* A Normal Beam distribution is produced from the internal painted surfaces of the fixture when a reflector is not supplied.



Applications

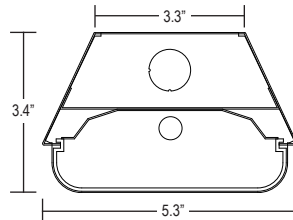
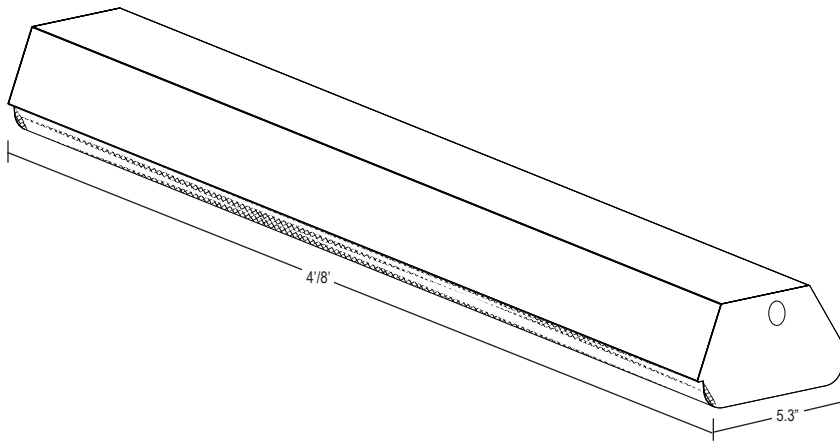
The FVF series wraparounds are designed to provide maximum efficiency, general lighting for institutional, industrial and retail environments. The compact size of this luminaire makes it ideal for areas where a narrow body is advantageous.

Features

High fixture efficiency and optical control deliver the peak candlepower needed to produce non-glare illumination levels from high mounting heights.

- Improved horizontal and vertical illumination
- Long life - up to 20,000 hours
- 80+ Maintained Lumens per watt

Dimensions



Additional Options (installed on fixture)

- Battery pack
- Fusing
- Cord Sets

Accessories (order separately)

Photometrics

SC Across Definitions:

- Focus ($SC < 0.9$), i.e. F1X12
- Task ($0.9 \leq SC < 1.2$), i.e. T1X12
- Normal ($1.2 \leq SC \leq 1.4$), i.e. N1X12, N1D20
- Spread ($1.4 < SC \leq 1.8$), i.e. S1X12
- Broad ($1.8 < SC$), i.e. B1X12

Consult Factory For Photometrics