

ecos[™] square

advanced LED downlighting adds a classic shape.





In 2008 Ecos™ became the first complete family of recessed luminaires enabled by LED technology to deliver performance, comfort and aesthetics that are clearly superior to conventional downlighting systems.

Now, to address the preferences of many architects and designers, Gotham has expanded the family to include Ecos Square, incorporating all the planet-friendly, cost-saving benefits of the original in this classic shape.

Like Gotham's original round Ecos™ high performance recessed LED luminaires, Ecos Square offers a choice of 4" and 6" apertures in downlight and wallwash trims along with a variety of options such as emergency battery packs and dimming.



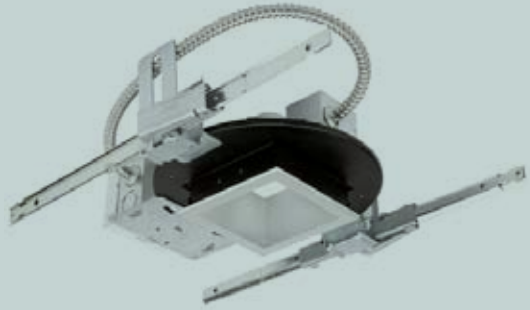
| | | |
|---|--|---------------------|
| downlight  | ✓ | ✓ |
| wallwash  | ✓ | ✓ |
| delivered lumen output* (nominal) | 900 lumens | 1200 lumens |
| equivalent delivered lumens** | 32W TRT 4" aperture | 32W TRT 6" aperture |
| source color temperature | 3500°K 4100°K | 3500°K 4100°K |
| input power | 34 watts | 39 watts |
| 0 - 10 dimming | standard | |
| SIMPLY5™ energy management system | available option | |
| emergency battery back-up | integral or remote | |
| trim finish and color options | matte-diffuse vapor deposition finish in smooth, stepped, pewter, wheat, trim white, trim black, microflange and square metal trim options | |

* delivered lumen output quantifies the amount of light exiting the luminaire and is measured in accordance with IESNA LM-79. Listed lumen values are initial and nominal. Refer to specification sheets for actual values based on specific configurations.

** equivalent delivered lumens are expressed for commonly used light sources that provide comparable delivered lumens.

engineered to perform.

With a unique, patent-pending optical system design and advanced thermal engineering, Ecos™ Square luminaires leverage the practical attributes and design potential of LED technology. Advanced solid state (mercury-free) components deliver lumens at levels comparable to those of well-established lighting tools 26W and 32W CFL, so users reap the benefits of LEDs without compromising lighting performance.



a (remarkably) quiet ceiling.

Ecos Square's distributed LED source is completely shielded by the luminaire's trim and the emitted light redirected by a highly reflective diffuse element. No mechanical hardware or source details are visible – above or below shielding angle. High quality polymer composite trims feature clean, flush corners, no mitered joints or visible tabs, and no light leaks. The proprietary finish masks fingerprints, eliminates iridescence, and resists static, dust and degradation over time, reducing maintenance to a minimum. Choose 4" or 6" apertures with a selection of smooth and stepped textured trims.

Square means square.

If square aperture lighting is misaligned, the overall appearance of a space can be compromised. Because of this we engineered Ecos Square to ensure precision alignment and absolute consistency of aperture appearance. Installation guides make rough-in housing alignment fast, easy and consistent, while keying components lock trims securely into place. Post installation fine-tune adjustments can be made, if necessary.

manage your light.

With Ecos Square light levels can be varied – the LED sources allow dimming with no change in color appearance or rendering. And you can combine Ecos Square with our Simply5™ energy management system to integrate dimming, motion sensing, daylight compensation, light scheduling and load shedding with simple setup, calibration and programming.

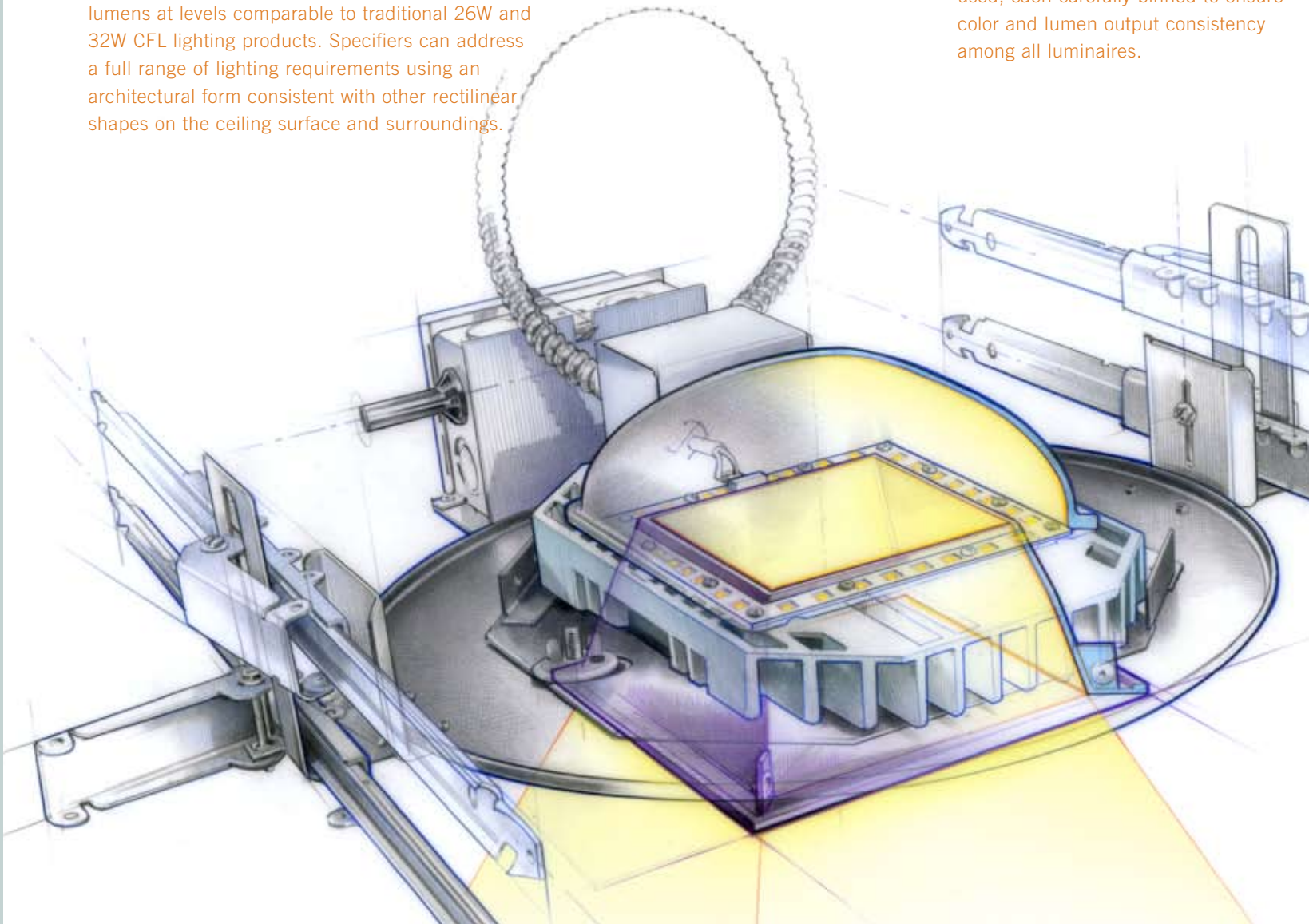
as LED technology advances, so will ecos.

All Ecos luminaires are rated for 50,000 hours of life, more than four times that of compact fluorescent sources. The system is completely reliable – developed, tested and backed by Gotham with other technology partners. And the patent-pending Ecos optical module is designed for easy upgrade as LED technology advances, so your installation will continue to deliver maximum available savings in the years to come.

Ask your Gotham representative about Ecos Square, the first integrated family of square aperture high-performance LED recessed downlighting products. Or visit www.gothamlighting.com.

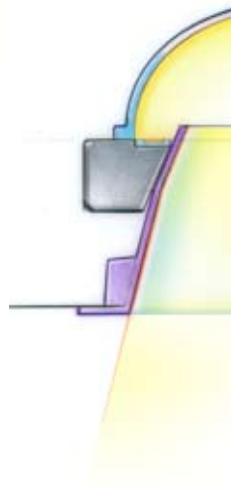
Ecos™ Square's unique optical system design and advanced thermal engineering leverages the attributes of LED sources while maintaining delivered lumens at levels comparable to traditional 26W and 32W CFL lighting products. Specifiers can address a full range of lighting requirements using an architectural form consistent with other rectilinear shapes on the ceiling surface and surroundings.

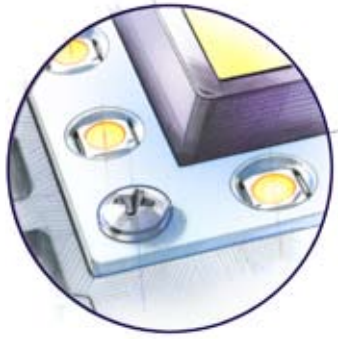
Only highest quality white LEDs are used, each carefully binned to ensure color and lumen output consistency among all luminaires.



To extend the life and performance of LEDs, heat is distributed to the optical perimeter with an innovative emitter configuration and conducted away from the light source by a thermal management system encompassing nearly two square feet of heat sinking surface area.

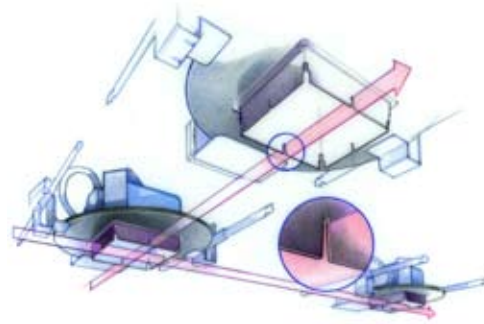
Ecos Square's distributed LED source is completely shielded and the emitted light redirected by a highly reflective diffuse element.





Ecos Square luminaires are engineered to install – and remain – perfectly square. The patent-pending alignment tray includes:

Highly reflective materials help Ecos optics achieve superior photometric efficiency and deliver increased lumen packages required in commercial and architectural applications.

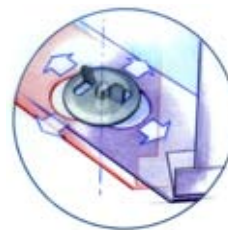


1
Installation guides for precision alignment.

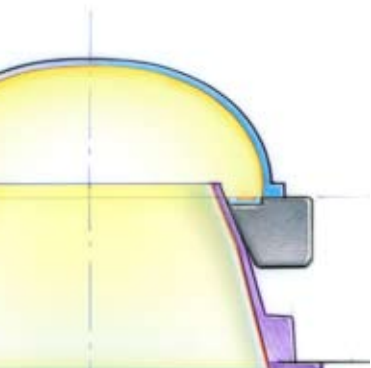
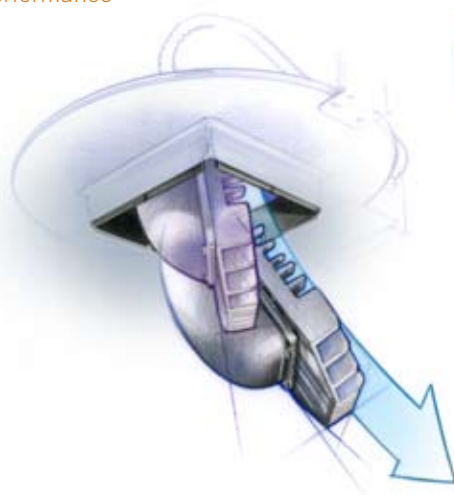


2
Keying components to position and lock reflector in place.

The Ecos optical module can be easily serviced and upgraded as LED technology advances, promising optimal performance many years into the future.



3
Lateral adjustment up to 1/4" in any direction and 5° rotation if needed.



The Ecos family offers a complete set of lighting tools for any project, including downlight and wallwash configurations, Simply5™ energy management system, 0-10V dimming and emergency lighting (EL/ELR) capabilities.



Ecos™ Square high-performance recessed lighting delivers all the benefits of LED technology while providing visual comfort and the aesthetic quality of a modern “quiet” ceiling. Now specifiers can choose round or square shapes within a fully integrated LED lighting family from a company with a long history of product leadership.

ORDERING INFORMATION

ECOS™ SQUARE- LED

| SERIES | COLOR TEMPERATURE/ LUMEN OUTPUT | APERTURE/TRIM COLOR | FINISH | VOLTAGE |
|----------------|------------------------------------|----------------------|------------------------------------|------------------|
| ECSS downlight | 35/09 ¹ 3500°K/900 lms | 4AR Clear | LD Matte-diffuse | 120 |
| ECSSW wallwash | 35/12 ² 3500°K/1200 lms | 4DSR Stepped | (blank) ³ Semi-specular | 277 |
| | 41/09 ¹ 4100°K/900 lms | 4PR Pewter | | 347 ⁴ |
| | 41/12 ² 4100°K/1200 lms | 4WTR Wheat | | |
| | | 4PDSR Stepped pewter | | |
| | | 4WDSR Stepped wheat | | |
| | | 6AR Clear | | |
| | | 6DSR Stepped | | |
| | | 6PR Pewter | | |
| | | 6WTR Wheat | | |
| | | 6PDSR Stepped pewter | | |
| | | 6WDSR Stepped wheat | | |

| DRIVER | OPTIONS | NOTES |
|---|--|--|
| SYZT 0-10V dimming driver standard | SF Single fuse | 1. 4" aperture only. |
| S5 ^{5,6} SIMPLY5™ energy management system | EL Emergency battery pack | 2. 6" aperture only. |
| S5 HW ^{5,6} SIMPLY5™ energy management system less Reloc | ELR Remote emergency battery pack | 3. SQMT option required. |
| | TRW White flange | 4. Height of fixture increases 3". |
| | TRBL Black flange | 5. SIMPLY5™ includes 9' S5 MLC Reloc wiring system (shipped separately). See Simply5.net for more information. |
| | LRC Provides compatibility w/ Lithonia Reloc | 6. Available in 120V or 277V only. |
| | CP Chicago Plenum approved | 7. Not available with stepped trims. |
| | MFLG Microflange trim | |
| | SQMT ⁷ Square metal trim | |

gotham®

GOTHAM ARCHITECTURAL DOWNLIGHTING
 A DIVISION OF ACUITY BRANDS LIGHTING, INC.
 1400 Lester Rd Conyers, Georgia 30012
 P 800 315 4982 F 770 860 3129
www.gothamlighting.com
 An Acuity Brands Company