

microflange™

A MINIMALIST LOOK FOR GOTHAM SQUARES

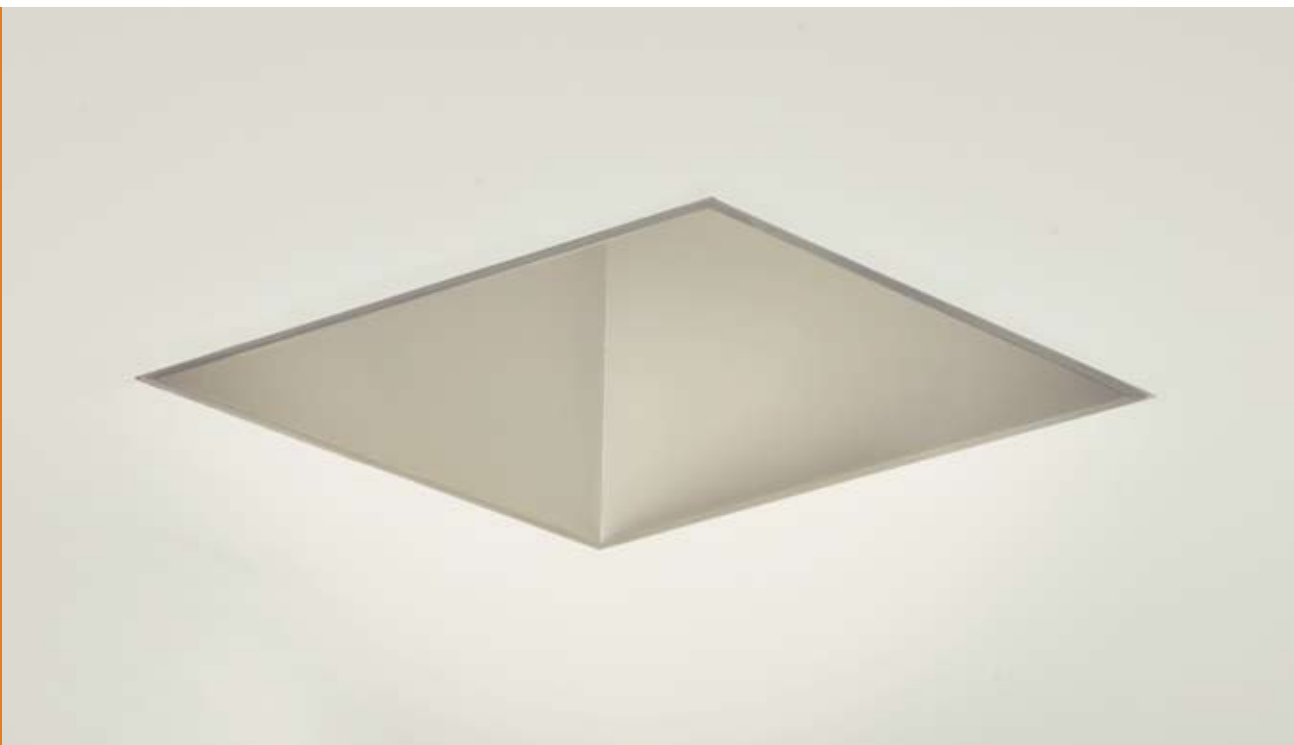




LEFT: Gotham Squares downlight
with Microflange option, stepped trim



RIGHT: Gotham Squares
downlight with Microflange
option, smooth trim

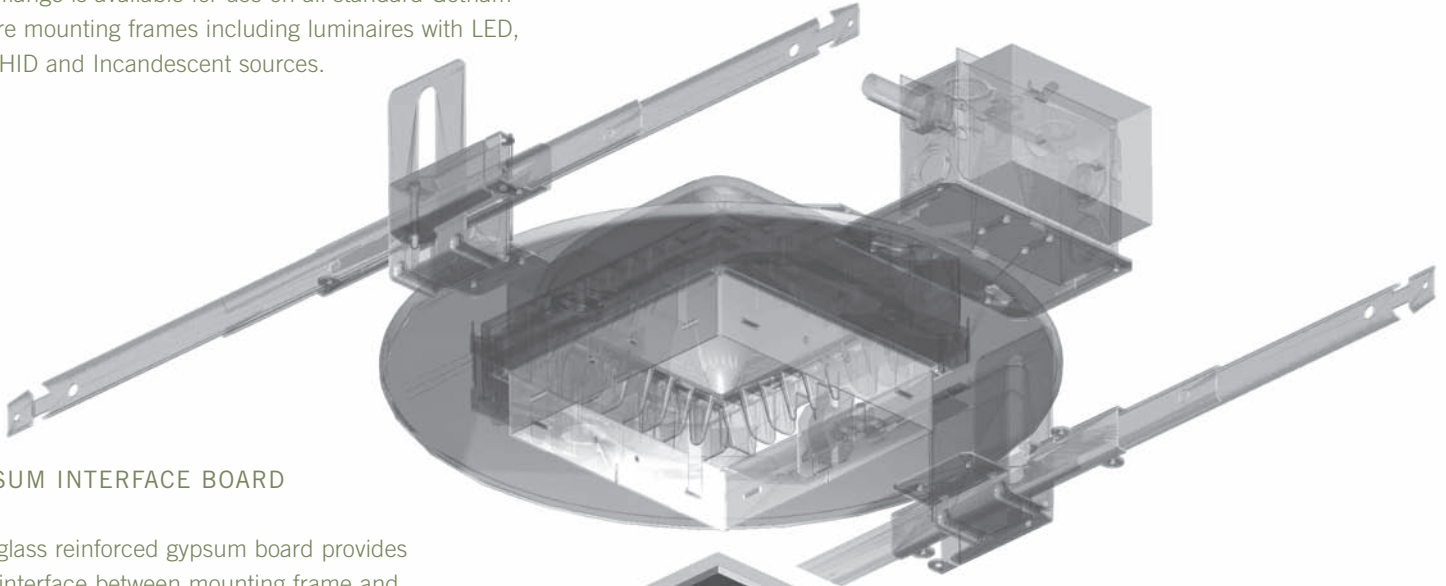


LEFT (for comparison): Gotham
Squares downlight with standard
flange, smooth trim



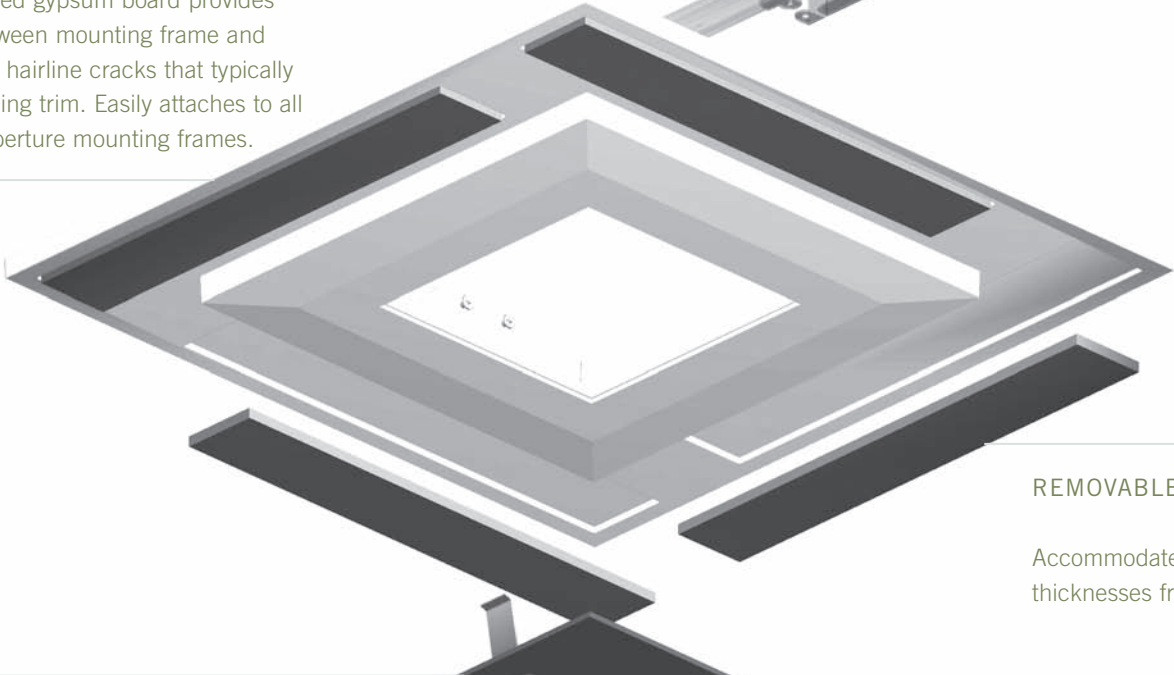
STANDARD SQUARE MOUNTING FRAME

Microflange is available for use on all standard Gotham Square mounting frames including luminaires with LED, CFL, HID and Incandescent sources.



GYPSUM INTERFACE BOARD

Fiberglass reinforced gypsum board provides solid interface between mounting frame and ceiling, preventing hairline cracks that typically form around finishing trim. Easily attaches to all Gotham Square aperture mounting frames.

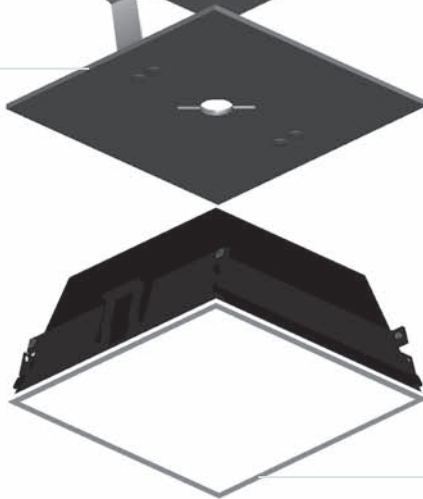


REMOVABLE SLATS

Accommodate different ceiling thicknesses from 5/8" to 3/4".

PLASTER GUARD

Snaps into aperture during finishing process to protect interface board and inside of fixture from plaster and paint.



MICROFLANGE TRIM

Available in high impact polymer or formed metal, the 3/16" wide flange provides a flush-mounted minimal appearance. Contractor can easily mud to edge of trim for a clean look while providing a robust method of installation integrating fixture and ceiling.

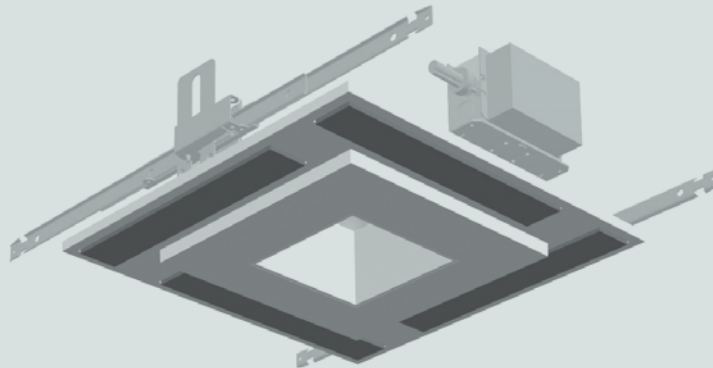
A PERFECTLY “QUIET” CEILING

Many specifiers are adamant about achieving an utterly clean, uninterrupted ceiling plane. To achieve this look in hard or dry wall ceiling installations, contractors often apply mud and tape directly up against the fixture housing. However due to heating and cooling of the luminaire, movement of the housing and trim during relamping, and general vibrations that occur in every building, hairline cracks and chips inevitably occur in the plaster around the aperture.

Gotham’s unique Microflange trim addresses the desire for an uncluttered ceiling plane without accompanying difficulties and drawbacks.

CONSISTENT INSTALLATION, LONG-TERM INTEGRITY

The Microflange system is thoughtfully engineered, establishing a clear method for installation of this trim option, ensuring that apertures will retain their clean, minimal appearance over time. Once installed, the housing, trim and ceiling are anchored together to restrict movement of any of the individual components, preventing eventual occurrence of unsightly ceiling cracks.



LIGHTING PERFORMANCE YOU CAN COUNT ON

Microflange trim is an available option with all Gotham Squares downlight and wallwash luminaires employing LED, CFL, HID and Incandescent sources. So you can achieve a minimal ceiling appearance while enjoying extraordinary performance that is characteristic of our entire square aperture recessed lighting portfolio.

Ask your lighting representative about Microflange trim, Gotham’s answer to those who desire the ultimate in a minimalist appearance. Or visit www.gothamlighting.com

GOTHAM SQUARES PRODUCTS AVAILABLE WITH MICROFLANGE™ TRIM

Gotham's unique Microflange trim option is available with all Gotham Squares 4" and 6" aperture downlight and wallwash luminaires as listed below. To specify Microflange, simply add the letters MFLG to the nomenclature. Example: SQF 1/26TRT 4AR LD MFLG specifies a Squares downlight, compact fluorescent, smooth trim, matte-diffuse finish, Microflange option.

Visit www.gothamlighting.com for detailed ordering information.

LED

ECSS
ECSSW

COMPACT FLOURESCENT

SQF
SQFW

HID

SQHW
SQHZW
SQPH
SQTH
SQDMRH ADJ
SQDMRH DWN
SQDMRH WSH
SQDPH
SQDTH
SQDLWH
SQDLWTH

INCANDESCENT

SQAZ
SQAZW
SQP
SQDP
SQDLW
SQDLV ADJ
SQDLV DWN
SQDLV WSH

gotham®

GOTHAM ARCHITECTURAL DOWNLIGHTING
A DIVISION OF ACUITY BRANDS LIGHTING, INC.
1400 Lester Rd Conyers, Georgia 30012
P 800 315 4982 F 770 860 3129
www.gothamlighting.com
An **Acuity** Brands Company