

Catalog Number	
Notes	Type

FEATURES & SPECIFICATIONS

INTENDED USE

The Circuit Distributor provides the interface between hardwiring and Reloc. Conventional wiring methods bring power from the panel to the homerun location where the CD is installed.

ELECTRICAL

Rated for use on 20-amp branch circuits.

All conductors are No. 12 AWG copper with 90°C thermoplastic insulation rated 600V.

All components provide a fully-rated No. 12 AWG grounding conductor. Safety-keying prevents accidental mating of components with different voltages.

Accommodates up to three hot conductors plus neutral and ground feed-through of branch circuits in a single component.

SYSTEM FEATURES

Pin and socket contacts.

Color-coded labels for quick voltage identification.

6" leads are prestripped 5/8" for ease of wiring.

Extremely low-profile.

LISTINGS

UL listed.

Listed and labeled to comply with Canadian Standards.

WARRANTY

One year from the date of purchase.

LISTINGS

UL listed.

CSA certified.

IBEW union-assembled.

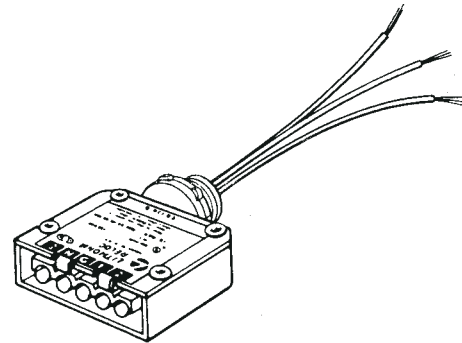
WARRANTY

One year from the date of purchase.

Lighting and Power System

CD

820 Circuit Distributor



ORDERING INFORMATION

All configurations of this product are considered "standard" and have short lead times.
Example: CD 120 F IGW

CD		Voltage		Conductors		Options ^{1,2,3}	
Series							
CD		120	120V	D	Three	2N	Two neutrals ¹
		208	208V	E	Four	CSA	CSA Certified ²
		240	240V	F	Five	IGW	Isolated ground ³
		277	277V				
		347	347V				
		480	480V				

Notes:

1 2N option available with F conductor only.

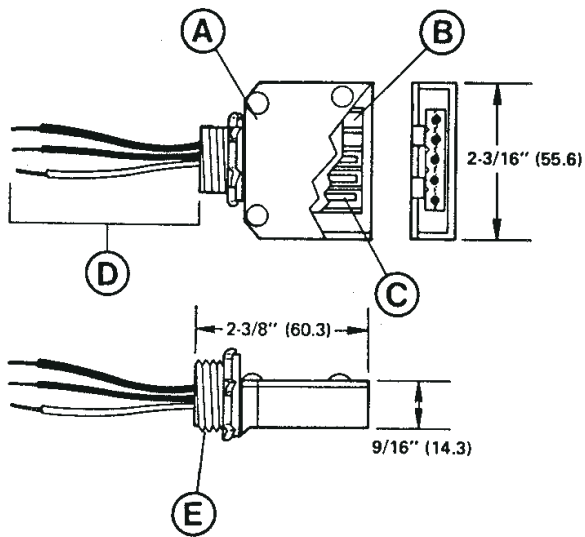
2 CSA option required for Canada.

3 IGW available only with 120V.

CD Circuit Distributor

SPECIFICATIONS

DIMENSIONS SHOWN IN INCHES AND (MILLIMETERS)



- A Die-cast zinc with zinc-plated CRS cover
- B UL recognized connector body
- C Tin-plated copper contacts
- D Six-inch Leads prestripped 5/8"
- E Threaded nipple with locknut for easy installation in 1/2" trade-size K.O.

SYSTEM VIEW

