

Catalog Number	
Notes	Type

FEATURES & SPECIFICATIONS

INTENDED USE

The Cable Extender is a male/female cable that provides additional length anywhere throughout the Reloc system.

ELECTRICAL

Rated for use on 20-amp branch circuits.

All conductors are No. 12 AWG copper with 90oC thermoplastic insulation rated 600V.

All components provide a fully-rated No. 12 AWG grounding conductor. Safety-keying prevents accidental mating of components with different voltages.

Accommodates up to three hot conductors plus neutral and ground feed-through of branch circuits in a single component.

SYSTEM FEATURES

Pin and socket contacts.

Color-coded labels for quick voltage identification.

Available in varying lengths to suit most common fixture spacing requirements.

Green Armor standard for easy identification in Health Care Facilities.

LISTINGS

UL listed.

Listed and labeled to comply with Canadian Standards.

Meets NEC requirements for redundant ground paths for patient care areas in healthcare facilities.

WARRANTY

One year from the date of purchase.

LISTINGS

UL listed

CSA certified

IBEW union-assembled

Meets NEC requirements for redundant ground paths for patient care areas in healthcare facilities.

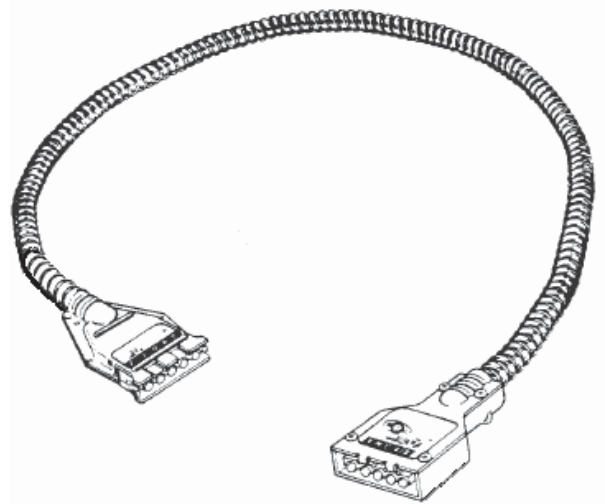
WARRANTY

One year from the date of purchase.

Lighting and Power System

CE

820 Extender Cable



ORDERING INFORMATION

All configurations of this product are considered "standard" and have short lead times.
Example: CE 277 F U 21 2N

CE			U		
Series	Voltage	Conductors	Factory keying	Length	Options
CE	120 120V 208 208V 240 240V 277 277V 347 347V 480 480V	D Three E Four F Five	U	05 07 09 11 13 15 19 21 25 30 35	2N Two neutrals ¹ HCF Meets health care facility requirements ² CSA CSA Certified ³ IGW Isolated ground ⁴

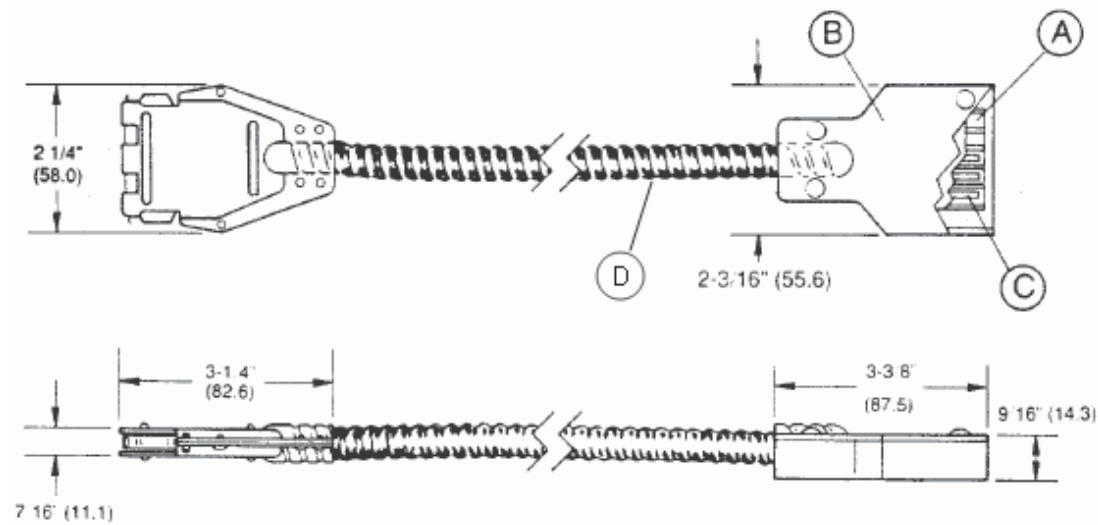
Notes:

- 1 2N option available with F conductor only.
- 2 HCF option available with F conductor only.
- 3 CSA option required for Canada.
- 4 IGW available only with 120V.

CE Cable Extender

SPECIFICATIONS

DIMENSIONS SHOWN IN INCHES AND (MILLIMETERS)



- A Die-cast zinc with zinc-plated CRS cover
- B UL recognized connector body
- C Tin-plated copper contacts
- D FMC standard and HCF MC optional

One, two or three hot conductors in 120V and 277V as required.
Rated for 20-amp capacity.
Prefabricated Cable Extender carrying No. 12 AWG copper conductors rated at 600V, 90°C thermoplastic insulation and fully rated solid bare grounding conductor

SYSTEM VIEW

