

Catalog Number	
Notes	Type

FEATURES & SPECIFICATIONS

INTENDED USE

The Circuit Selector Unit provides wiring of any device through a ½" trade size knockout. The CSU used No.12 AWG leads that allow for full circuit access.

ELECTRICAL

Rated for use on 20-amp branch circuits.

All conductors are No. 12 AWG copper with 90°C thermoplastic insulation rated 600V.

All components provide a fully-rated No. 12 AWG grounding conductor.

Safety-keying prevents accidental mating of components with different voltages.

Accommodates up to three hot conductors plus neutral and ground feed-through of branch circuits in a single component.

SYSTEM FEATURES

Pin and socket contacts.

Color-coded labels for quick voltage identification

Auto-latching springs prevent accidental disengagement.

Extremely low-profile

LISTINGS

UL listed.

Listed and labeled to comply with Canadian Standards.

WARRANTY

One year from the date of purchase.

LISTINGS

UL listed

CSA certified

IBEW union-assembled

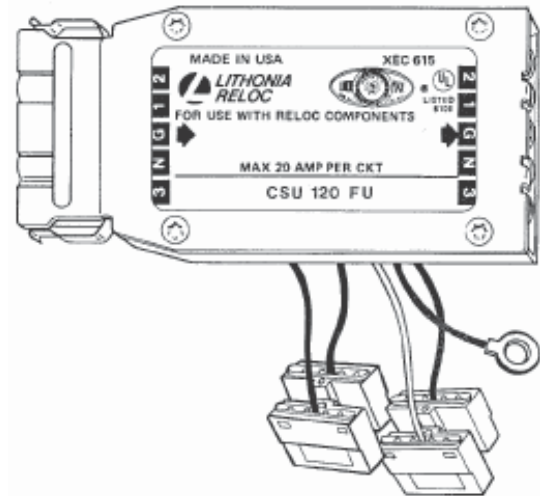
WARRANTY

One year from the date of purchase.

Lighting and Power System

CSU

820 Circuit Selector Unit



ORDERING INFORMATION

All configurations of this product are considered "standard" and have short lead times.
Example: CSU 277 F U 2N

CSU		F	U	
Series	Voltage	Conductors	Factory keying	Options
CSU	120 120V 277 277V 347 347V	F Five	U	2N Two neutrals CSA CSA Certified ¹ IGW Isolated ground ²

Notes:

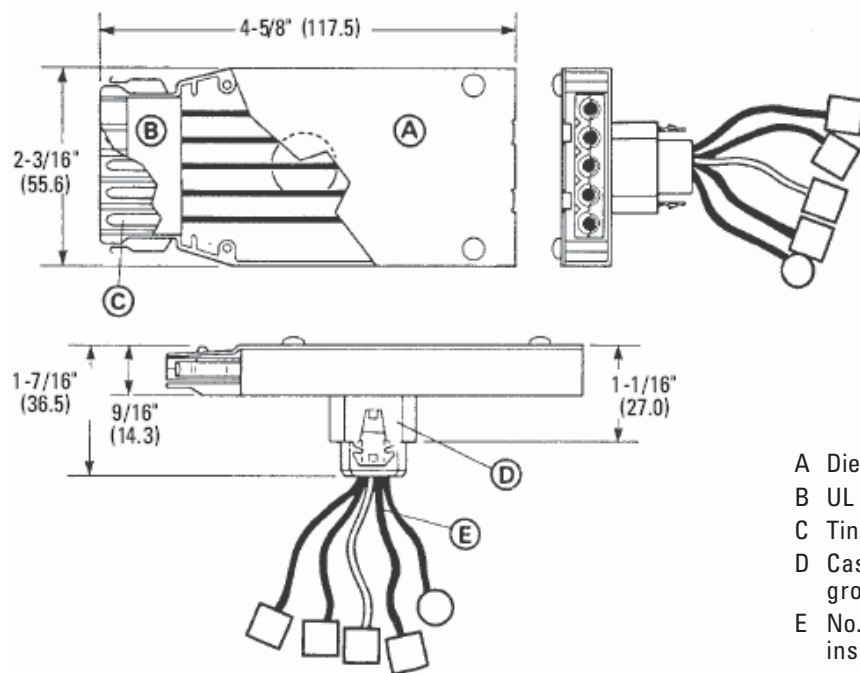
1 CSA option required for Canada.

2 IGW available only with 120V.

CSU Circuit Selector Unit

SPECIFICATIONS

DIMENSIONS SHOWN IN INCHES AND (MILLIMETERS)



- A Die-cast zinc with zinc-plated CRS cover
- B UL recognized connector body
- C Tin-plated copper contacts
- D Cast snap-in fitting 1/2" trade-size KO and provides grounding
- E No. 12AWG copper wires with 600V, 90°C thermoplastic insulation

SYSTEM VIEW

