

FEATURES

INTENDED USE

The Reloc Floor Module provides separate compartments for data, communication and power in an access floor. When prewired with a RELOC interface, relocation of office work stations is as easy as moving partitions and floor panels.

ATTRIBUTES

- Easy to install or relocate in any access floor.
- Concealed service top of sturdy molded Lexan.
- Wide access openings (two sizes).
- Easy entry into access floor.
- Hinged floor plate.
- Interchangeable faceplates for flexibility.
- 16-gauge galvanized steel. Up to 135 cubic inches capacity.
- Sturdy Lexan carpet/tile floor flange supports box on panel. Also acts as carpet flange.
- Available with factory-installed electrical devices and Reloc interface for wiring ease and flexibility.

LISTING

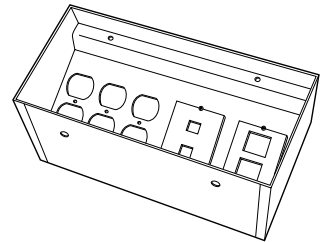
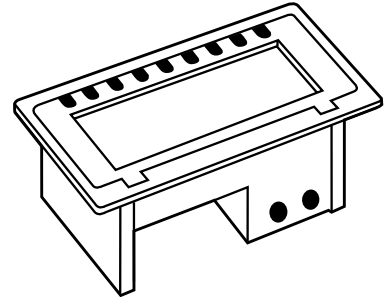
UL listed only.

Catalog Number	
Notes	Type

Floor Module

FMI3

For Use With Access Floor Power Distribution



RELOC[®]

ORDERING INFORMATION

Choose the boldface catalog nomenclature that best suits your needs and write it on the appropriate line. Order accessories as separate catalog number.

Example: **FMI3 P B RQ**

FMI3		Power options	Data/communications options	Color options	Reloc wiring interface options
Family ¹	Size				
FM	I1 5" X 6" (two compartments) I3 10" X 6" X 5-1/4" (Five compartments)	P One power panel for one duplex receptacle (receptacle not included) P1 One prewired 20A duplex receptacle (one circuit) P2 One prewired 20A isolated ground duplex receptacle (one circuit). Y Custom design ²	(blank) None provided D Blank panels Z Custom design ²	B Black G Gray	(blank) None RQ Reloc interface custom design ²

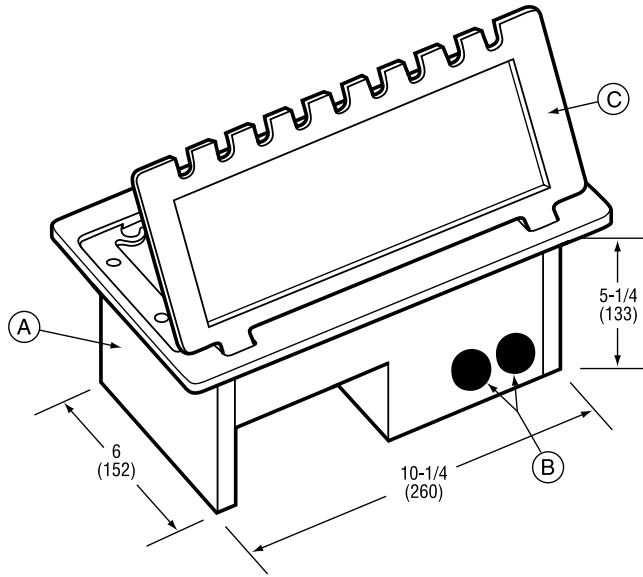
NOTES:
1 120V only.
2 Consult factory for custom design options.

FMI3 Floor Module

SPECIFICATIONS

DIMENSIONS SHOWN IN INCHES AND (MILLIMETERS)

- A 16-gauge pre-galvanized steel body and panels.
- B Two 1/2" K.O.s standard.
- C Carpet tile / floor flange colors available in gray, black and brown.



DATA OPTIONS

Blank Plate for Future Use

1 1/2" ID Rubber Grommet
for Pass Through of Cables

Plate to Accept 2 Std. RJ-45
Phone Jacks

Plate to Accept 2 Std. Coax
Single "B" 1/2" Dia

Plate to Accept BM LAN type
Connectors

Special Plate (Provide Details
for your Device)

NOTES:

- Self-drilling screws provided to secure FMI in place.
- Box will fit into 10 3/4" x 6 1/4" cutout in the floor panel.
- Box dimensions with trim: 12 3/8" x 7" x 5 1/2"

SYSTEM VIEW

