

Catalog Number	
Notes	Type

## FEATURES & SPECIFICATIONS

### INTENDED USE

The OnePass converter provides the interface between hardwiring and the OnePass system at homerun location.

### ELECTRICAL

Rated for use on 20-amp branch circuits

All conductors are 12AWG copper with 90°C thermoplastic insulation rated 600V

Safety-keying prevents accidental mating of components with different voltages

### SYSTEM FEATURES

Pin and socket contacts

Color-coded labels for quick voltage identification

6" leads prestripped 5/8" for ease of wiring

Installs through 1/2" knockout; no locknuts required

EXT option enables OC2's to be installed in hot and cold applications (-40°C to +75°C)

Type of insulation for EXT option is based on NEC Table 310.13 (A)

Dust Cover available for unused ports: RDC3 METAL DUST COVER

### LISTINGS

UL Listed to U S and Canadian safety standards.

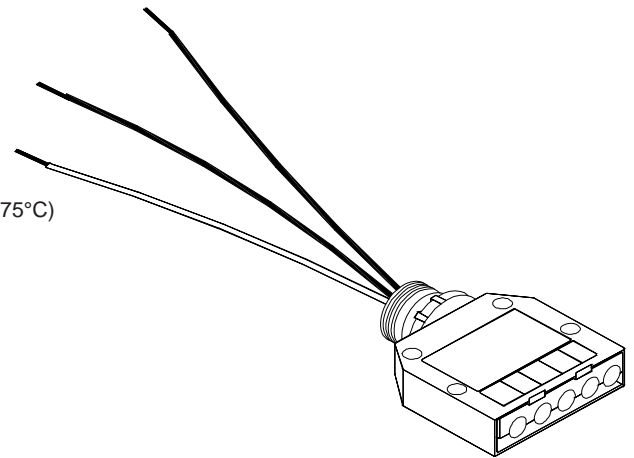
### WARRANTY

One year from the date of purchase.

Open Ceiling Lighting System

# OC

## One Pass Converter



## ORDERING INFORMATION

Example: **OC 277 12/4G**

FOR SHORTEST LEAD TIMES, CONFIGURE PRODUCT USING STANDARD OPTIONS (SHOWN IN BOLD).

OC			
Series	Voltage	Conductors <sup>1</sup>	Option
<b>OC</b>	<b>120</b> 120V	<b>12/2G</b> Two 12AWG conductors plus one 12AWG ground	<b>2N</b> Two circuit, two neutral <sup>2</sup>
	<b>208</b> 208V	<b>12/3G</b> Three 12AWG conductors plus one 12AWG ground	<b>EXT</b> Extreme temperature rating conductors <sup>4</sup>
	<b>240</b> 240V	<b>12/4G</b> Four 12AWG conductors plus one 12AWG ground	
	<b>277</b> 277V		
	<b>347</b> 347V		
	<b>480</b> 480V		

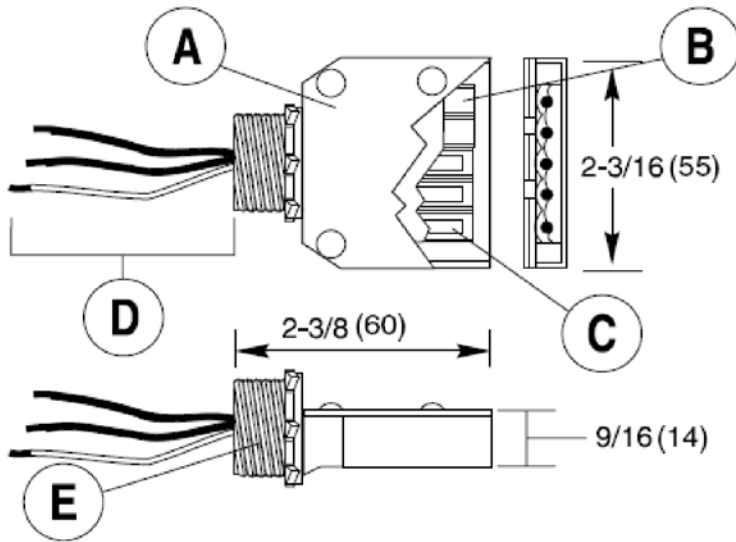
### Notes

1. Conductors available in 12AWG only. If 10AWG is required, OSC2 must be used.
2. 2N options available only in 120, 277, 347 voltages and only with 12/4G conductors.
3. Standard wire lead length is 6 inches. Consult factory for longer lengths.
4. EXT option required for EXTREME hot and cold temperature applications (-40°C to +75°C)

# OC Converter, One Pass

## DIMENSIONS

Dimensions are shown in inches (millimeters).



- (A) 18-gauge, zinc-plated, CRS cover
- (B) UL-recognized connector body
- (C) Tin-plated, copper contacts
- (D) 6" leads prestripped 5/8"
- (E) Threaded nipple with locknut for easy installation in 1/2" trade-size K.O.

### Wire Color

Position	120V <sup>1</sup>	208/240V <sup>2</sup>	277V <sup>1</sup>	347V <sup>1</sup>	480V <sup>2</sup>
G	Bare	Bare	Bare	Bare	Bare
1	Black	Black	Brown	Black	Brown
2	Red	Red	Orange	Red	Orange
3	Blue	Blue	Yellow	Blue	Yellow
N	White	Violet	Gray	White	Violet

### Notes:

1. Two neutral (2N) products have gray (120V) white (277V) in 3rd position.
2. N position becomes 4th Hot for 208, 240, 480V 3 phase.

## SYSTEM VIEW

