

Catalog Number	
Notes	Type

## FEATURES & SPECIFICATIONS

### INTENDED USE

The OnePass cable 2 port is a splitter and cable extender in one easy-to-use component. Used to bring power to OCS, OCU or an OD in industrial applications, or to split a circuit into two directions.

### ELECTRICAL

Rated for use on 20-amp branch circuits only.

All components provide a fully-rated No.12 AWG grounding conductor

Safety-keying prevents accidental mating of components with different voltages

10AWG or 12AWG, MC cable with 90° C thermoplastic insulation and all conductors rated at 600V.

### SYSTEM FEATURES

Pin and socket contacts

Color-coded labels for quick voltage identification

EXT option enables OC2's to be installed in hot and cold applications (-40°C to +75°C)

Type of insulation for EXT option is based on NEC Table 310.13 (A)

Dust Cover available for unused ports: RDC3 METAL DUST COVER

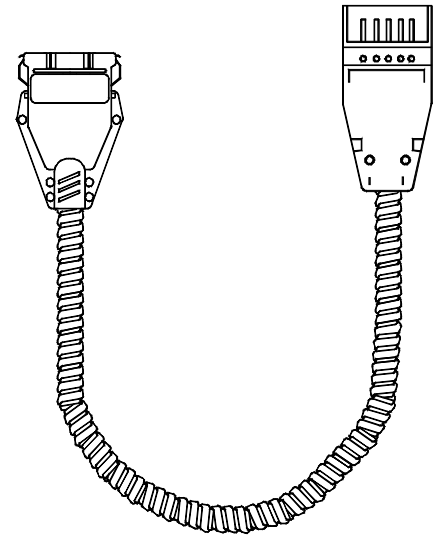
### LISTINGS

UL Listed to US and Canadian safety standards.

### WARRANTY

One year from the date of purchase.

## Open Ceiling Lighting System OC2 OnePass Cable 2 Port



## ORDERING INFORMATION

Example: **OC2 277 12/4G 09**

FOR SHORTEST LEAD TIMES, CONFIGURE PRODUCT USING STANDARD OPTIONS (SHOWN IN BOLD).

OC2 Series	Voltage	Conductors	Length <sup>3</sup>	Option	Finish <sup>2</sup>
<b>OC2</b>	<b>120</b> 120V <sup>1</sup> <b>208</b> 208V <b>240</b> 240V <b>277</b> 277V <sup>1</sup> <b>347</b> 347V <b>480</b> 480V	<b>12/2G</b> Two 12AWG conductors plus one 12AWG ground <b>12/3G</b> Three 12AWG conductors plus one 12AWG ground <b>12/4G</b> Four 12AWG conductors plus one 12AWG ground <b>10/2G</b> Two 10AWG conductors plus one 10AWG ground <b>10/3G</b> Three 10AWG conductors plus one 10AWG ground <b>10/4G</b> Four 10AWG conductors plus one 10AWG ground <sup>5</sup>	<b>05</b> 5ft <b>09</b> 9ft <b>15</b> 15ft <b>21</b> 21ft <b>25</b> 25ft <b>31</b> 31ft <b>35</b> 35ft	<b>2N</b> Two circuit, two neutral <sup>1</sup> <b>EXT</b> Extreme temperature rating conductors <sup>4</sup>	<b>RD</b> Red <b>BK</b> Black <b>WH</b> White <b>BE</b> Beige

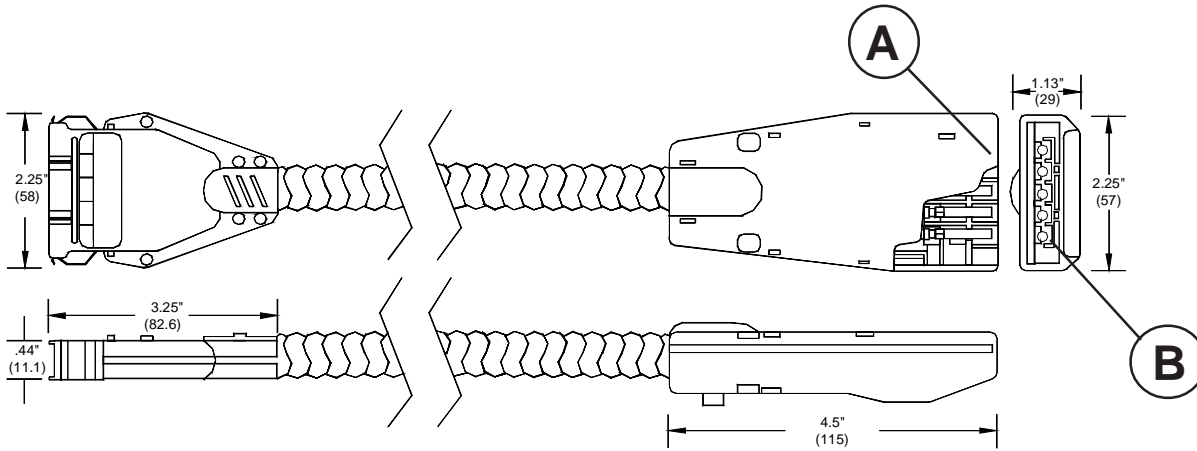
### Notes

1. 2N available in 277V and 120V; 12/4G and 10/4G conductors only.
2. Colored cable available. Contact factory for other finishes.
3. Standard lengths listed. Consult factory for custom lengths.
4. EXT option required for EXTREME hot and cold temperature applications (-40°C to +75°C)
5. EXT option not available with 10/4G conductors.

# OC2 Cable 2 Port, One Pass

## DIMENSIONS

Dimensions are shown in inches (millimeters).



- (A) Injection-molded, high-impact polymeric compound enclosure
- (B) Tin-plated, copper contacts

## SYSTEM VIEW

